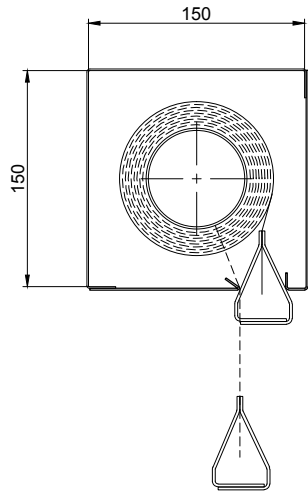


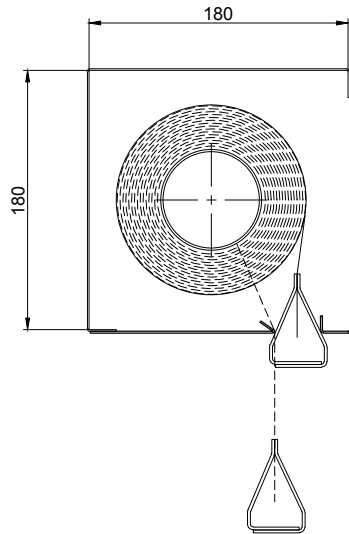
COOPERS SMOKESTOP® SMOKE CURTAIN STANDARD HEADBOX CONFIGURATION SECTIONS

SINGLE ROLLER UNITS

SS 15/15



SS 18/18

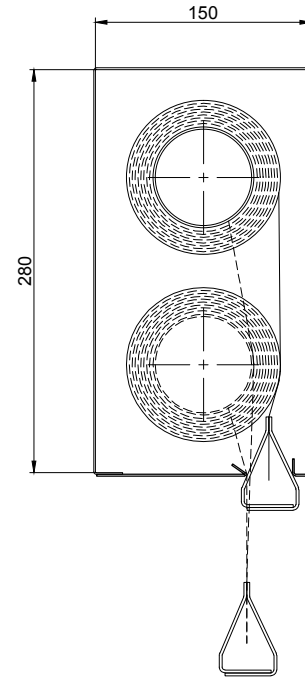


Product	Max Width	Max Drop	Fabric
SS 15/15	5m	5.0m	EFP™ 1/1000
SS 15/15	5m	5.0m	EFP™ 2/A2

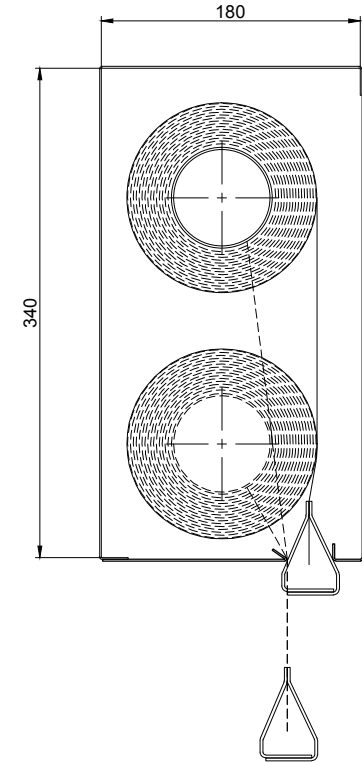
Product	Max Width	Max Drop	Fabric
SS 18/18	5m	10.0m	EFP™ 1/1000
SS 18/18	5m	10.0m	EFP™ 2/A2

MULTIPLE ROLLER UNITS

SS 15/28



SS 18/36



Product	Max Width	Max Drop	Fabric
SS 15/28	Unlimited*	5.0m	EFP™ 1/1000
SS 15/28	Unlimited*	5.0m	EFP™ 2/A2

Product	Max Width	Max Drop	Fabric
SS 18/36	Unlimited*	10.0m	EFP™ 1/1000
SS 18/36	Unlimited*	10.0m	EFP™ 2/A2

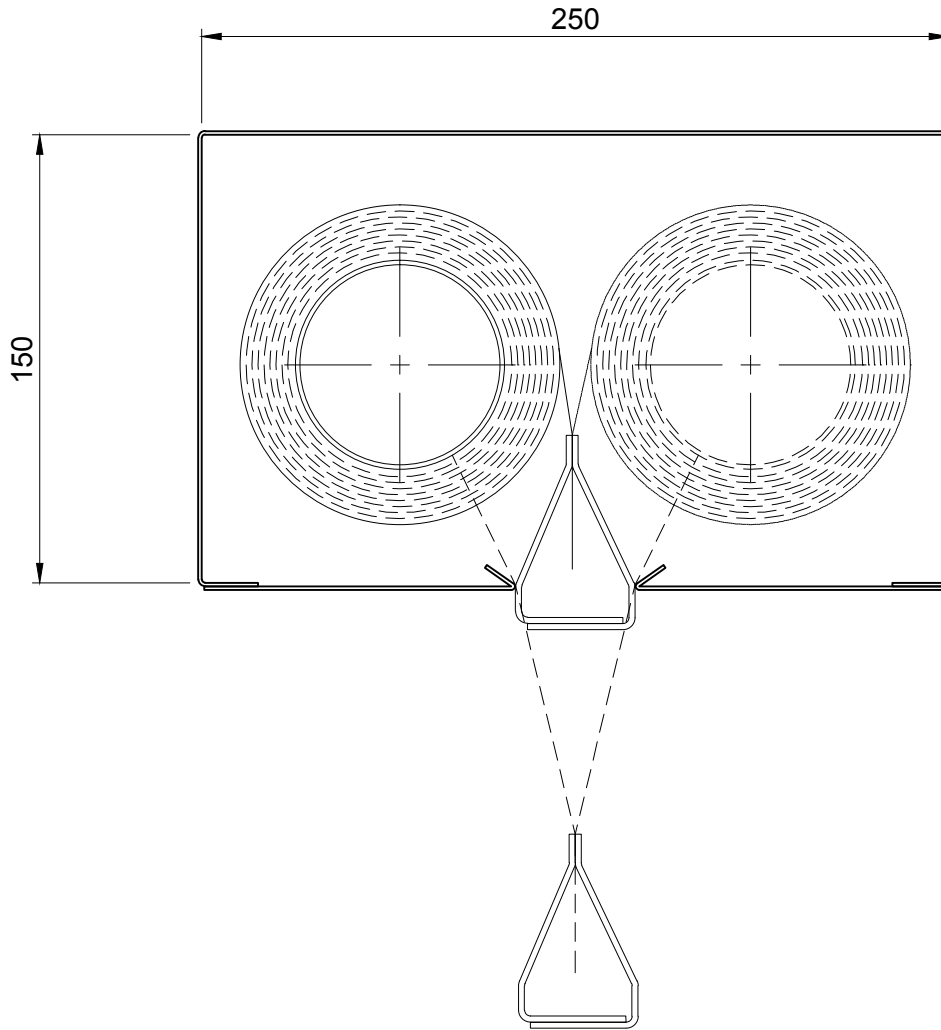


Edward House, Penner Road,
Havant, Hampshire, PO9 1JZ, UK
Tel: 044 (0)2392 454 405
Email: info@coopersfire.com
Web: www.coopersfire.com

DRAWN: ML	TITLE: Coopers SmokeStop® Smoke Curtain Headbox/Size Configuration (Jumbo Bar)	
CHECKED: JR	© 1997-2018 COOPERS FIRE LIMITED ALL RIGHTS RESERVED. THIS DESIGN MAY NOT BE REPRODUCED IN ANY MATERIAL FORM, INCLUDING ELECTRONICALLY WITHOUT THE WRITTEN PERMISSION OF THE COPYRIGHT NAMES	ALL DIMENSIONS IN MILLIMETRES UNLESS OTHERWISE STATED
APPROVED: JR	DRG. No. 606/223/MK	ISSUE: 1 DATE: 14.08.2018

NOTE: -
* Unlimited width with overlap join, maximum 5m per roller
Headbox size should allow additional min. 15mm for fixings bolt head
Sizes outside these standards - please contact Coopers

SS 25/15



NOTE: - Headbox size should allow additional 15mm for fixings bolt head

Product	Max Width	Max Drop	Fabric
SC	Unlimited*	5.0 metres	EFP™ 1/1000
SC	Unlimited*	5.0 metres	EFP™ 2/A2

*Unlimited Max. Width with overlap join, max 5m per roller



Edward House, Penner Road,
Havant, Hampshire, PO9 1Z, UK

Tel: +44 (0)2392 454 405

Email: info@coopersfire.com
Web: www.coopersfire.com

DRAWN:

ML

CHECKED:

JR

APPROVED:

JR

TITLE:

**Coopers SmokeStop® Smoke Curtain
250 x 150 Headbox Details - Jumbo**

© 1997-2018 COOPERS FIRE LIMITED
ALL RIGHTS RESERVED. THIS DESIGN MAY NOT BE
REPRODUCED IN ANY MATERIAL FORM, INCLUDING
ELECTRONICALLY WITHOUT THE WRITTEN PERMISSION
OF THE COPYRIGHT NAMES

ALL DIMENSIONS IN MILLIMETRES
UNLESS OTHERWISE STATED

DRG. No.

606/322/MK

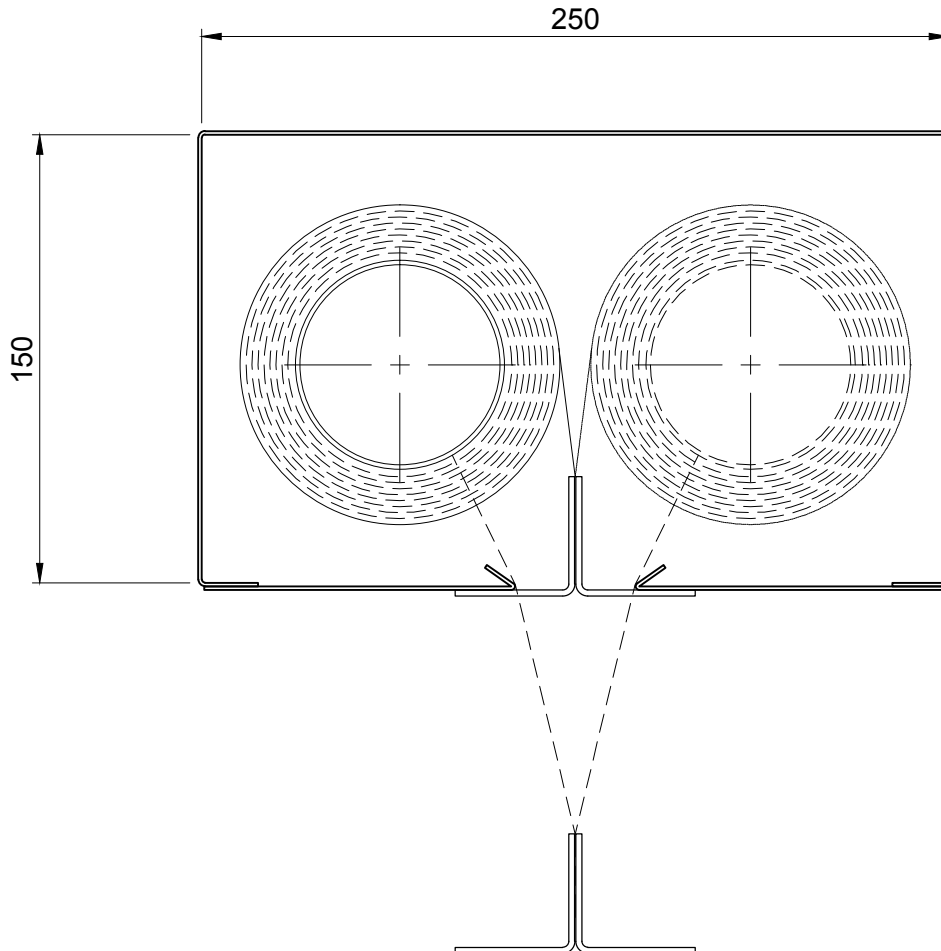
ISSUE:

1

DATE:

14.08.2018

SS 25/15



NOTE: - Headbox size should allow additional 15mm for fixings bolt head

Product	Max Width	Max Drop	Fabric
SC	Unlimited*	5.0 metres	EFP™ 1/1000
SC	Unlimited*	5.0 metres	EFP™ 2/A2
*Unlimited Max. Width with overlap join, max 5m per roller			



Edward House, Penner Road,
Havant, Hampshire, PO9 1Z, UK

Tel: +44 (0)2392 454 405

Email: info@coopersfire.com
Web: www.coopersfire.com

DRAWN:

ML

CHECKED:

JR

APPROVED:

JR

TITLE:

**Coopers SmokeStop® Smoke Curtain
250 x 150 Headbox Details - TBar**

© 1997-2018 COOPERS FIRE LIMITED
ALL RIGHTS RESERVED. THIS DESIGN MAY NOT BE
REPRODUCED IN ANY MATERIAL FORM, INCLUDING
ELECTRONICALLY WITHOUT THE WRITTEN PERMISSION
OF THE COPYRIGHT NAMES

ALL DIMENSIONS IN MILLIMETRES
UNLESS OTHERWISE STATED

DRG. No.

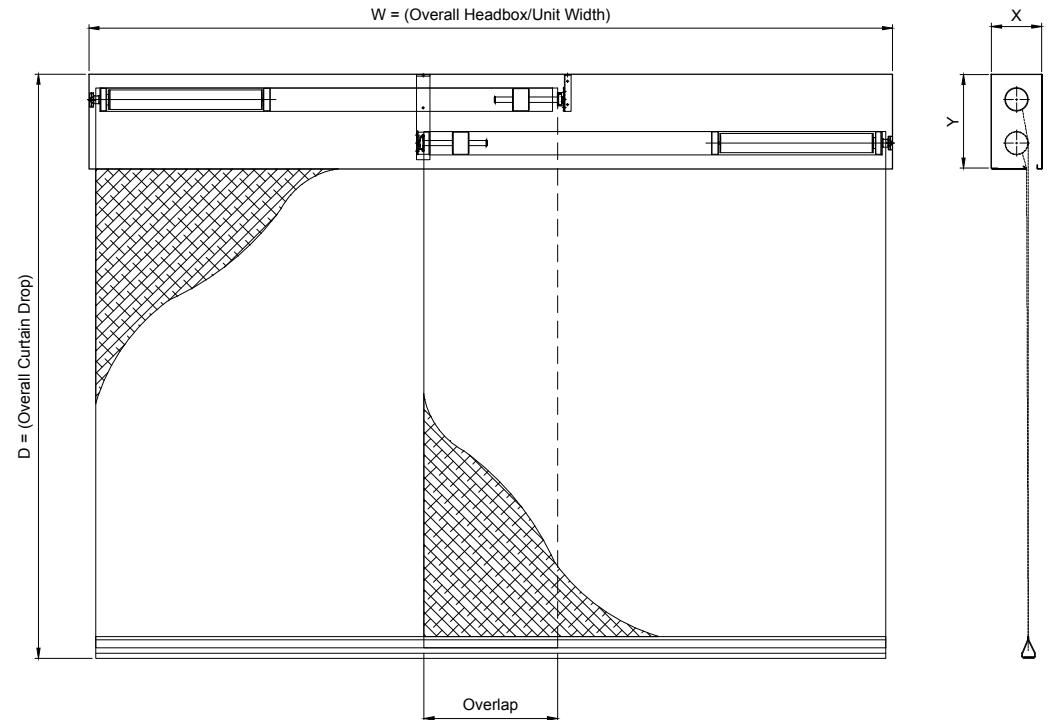
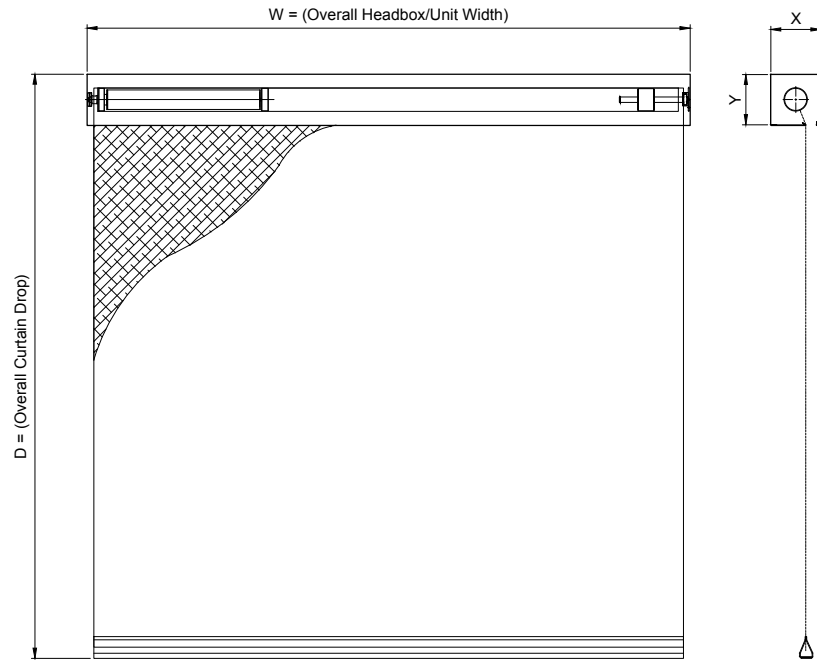
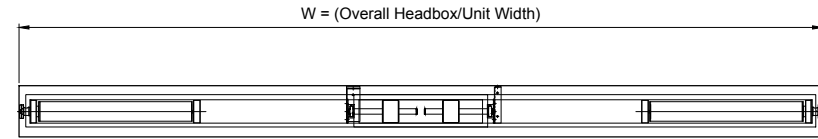
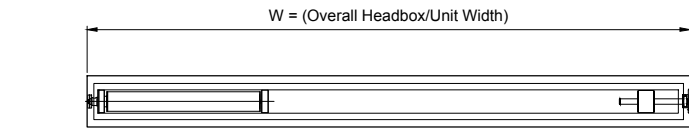
606/260/MK

ISSUE:

1

DATE:

14.08.2018



HEADBOX		OVERALL DIMENSION	
X (mm)	Y (mm)	W	D
150	150	< 5m	< 5m
180	180	< 5m	< 10m

HEADBOX		OVERALL DIMENSION	
X (mm)	Y (mm)	W	D
150	280	Unlimited*	< 5m
180	360	Unlimited*	< 10m

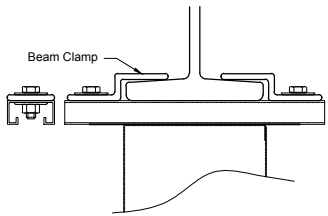


Edward House, Penner Road,
Havant, Hampshire, PO9 1JZ, UK
Tel: 044 (0)2392 454 405
Email: info@coopersfire.com
Web: www.coopersfire.com

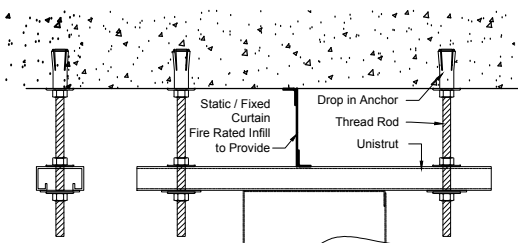
DRAWN: ML	TITLE: Coopers SmokeStopr® Smoke Curtain Matrix of Sizes - Jumbo	
CHECKED: JR	© 1997-2018 COOPERS FIRE LIMITED ALL RIGHTS RESERVED. THIS DESIGN MAY NOT BE REPRODUCED IN ANY MATERIAL FORM, INCLUDING ELECTRONICALLY WITHOUT THE WRITTEN PERMISSION OF THE COPYRIGHT NAMES	ALL DIMENSIONS IN MILLIMETRES UNLESS OTHERWISE STATED
APPROVED: JR	DRG. No. 600/600/MK	ISSUE: 1 DATE: 14.08.2018

NOTE: -
* Unlimited width with overlap joint, maximum 5m per roller
Headbox size should allow additional min. 15mm for fixings bolt head
Sizes outside these standards - please contact Coopers

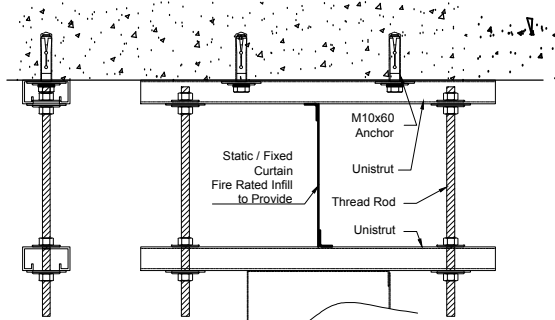
HEADBOX FIXING OPTIONS



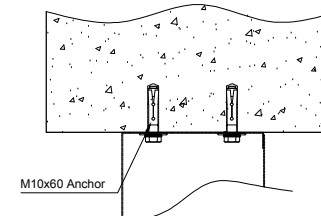
I BEAM FIXING



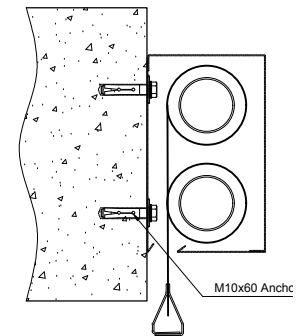
DROP ROD INTO SLAB FIXING



DROP ROD TO UNISTRUT FIXING

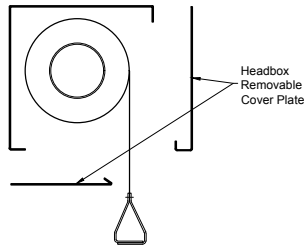


TOP DIRECT FIXING TO CONCRETE

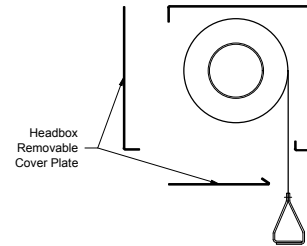


BACK DIRECT FIXING TO CONCRETE

HEADBOX ACCESS OPTIONS

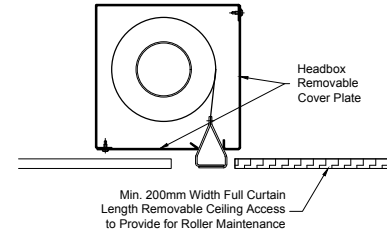


STANDARD HEADBOX

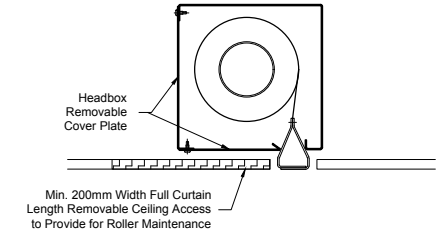


REVERSE HEADBOX

CEILING ACCESS OPTIONS

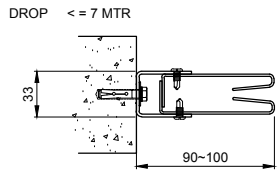


STANDARD HEADBOX

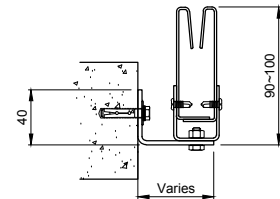


REVERSE HEADBOX

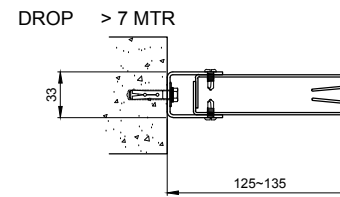
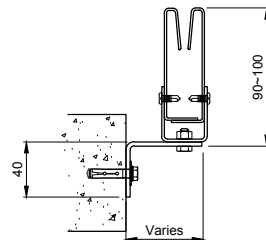
SIDE GUIDE FIXING OPTIONS



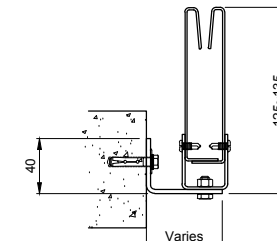
SIDE FIX



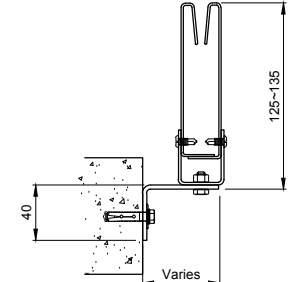
REVERSE FIX - Option 1



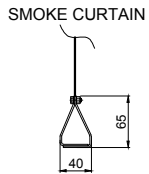
SIDE FIX



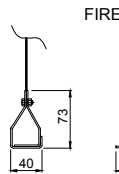
REVERSE FIX - Option 1



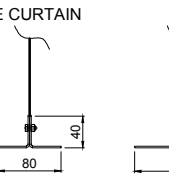
BOTTOM BARS OPTIONS



JUMBO BOTTOM BAR



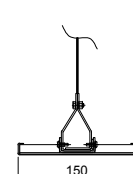
JUMBO BOTTOM BAR



'T' BOTTOM BAR



75 ACE CAPPING

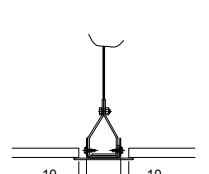
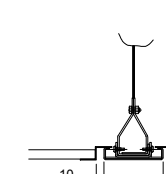
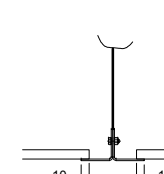
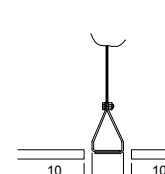


150 ACE CAPPING



75 STALL PLATE

CEILING & BOTTOM BARS INTERFACE OPTIONS



Edward House, Penner Road,
Havant, Hampshire, PO9 1QZ, UK
Tel: +44 (0)2392 454 405
Email: info@coopersfire.com
Web: www.coopersfire.com

DRAWN:	ML	TITLE:	Headbox Fixing, Headbox Ceiling Interface, Bottom Bar & Capping Variations
CHECKED:	JR	© 1997-2018 COOPERS FIRE LIMITED ALL RIGHTS RESERVED. THIS DESIGN MAY NOT BE REPRODUCED IN ANY MATERIAL FORM, INCLUDING ELECTRONICALLY WITHOUT THE WRITTEN PERMISSION OF THE COPYRIGHT NAMES	ALL DIMENSIONS IN MILLIMETRES UNLESS OTHERWISE STATED
APPROVED:	JR	DRG. No.	600/616/MK
		ISSUE:	1
		DATE:	06.09.18

* For Information Use Only
Standard Size, Standard Configuration, Sizes Greater than Stated please contact Coopers