

DATA SHEET MK5 BMS INTERFACE

PRODUCT CODE: 34117 (MKBI-1)

VERSION: Issue A – March 2017

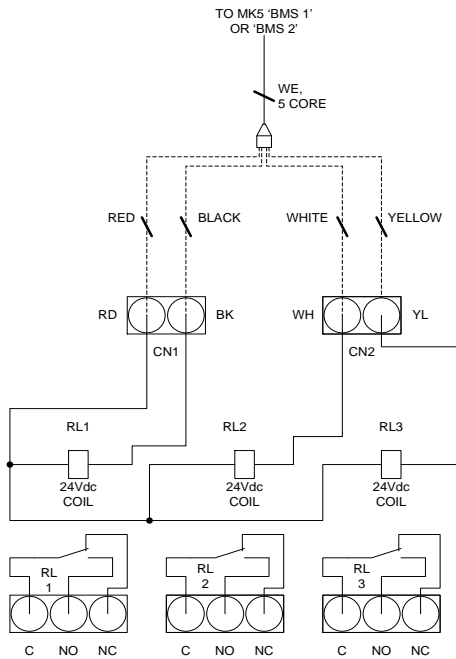


MK5 BMS INTERFACE

PRODUCT DESCRIPTION

The MK5 BMS Interface can be connected to the MK5 Fire/Smoke curtain control unit and provide volt-free contact outputs to signal the status of the control system and associated Fire/Smoke curtain.

CONNECTION DETAILS



BMS1	Curtain Fault	Curtain Up	Curtain Down
BMS2	Battery Low	Battery Disconnect	Battery Fault

SPECIFICATION

Model:
MK5BI-1

Input:
24Vdc From MK5 control panel

Output:
3 x NC/ NO volt-free contacts

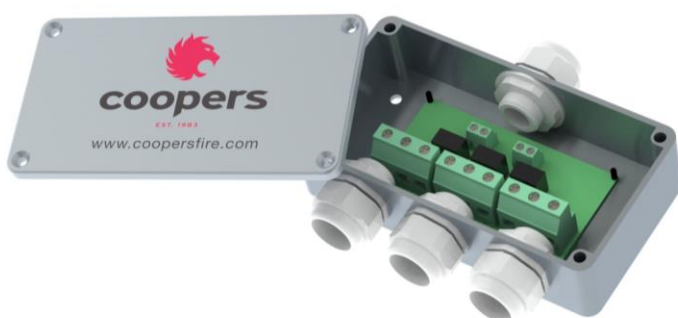
Dimensions:
112mm (W)
105mm (H)
30mm (D)

IP Rating:
50

Temperature:
0 to +40°C

Weight:
182g

Materials:
Die cast aluminium enclosure



Coopers Fire Ltd,
Edward House, Penner Road,
Havant, Hampshire, PO9 1QZ
United Kingdom

Phone: +44 (0)2392 454 405

Fax: +44 (0)2392 492 732

Email: info@coopersfire.com

Web: www.coopersfire.com

Coopers Fire Ltd has a policy of continuous product improvement.

As such we reserve the right to change design and specifications without prior notice.

Please check our website for the latest information