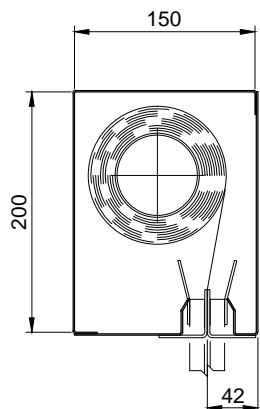


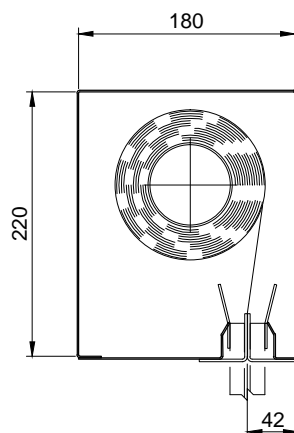
FIREMASTER® PLUS² FIRE CURTAIN HEADBOX SECTIONS

FMP 15/20



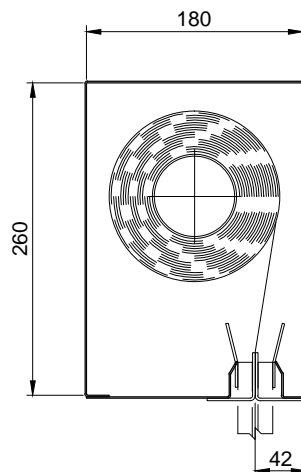
Product	Max Width	Max Drop	Seam
FMP	4m	2.5m	Horizontal
Fabric	EFP™ 2/1000/DGI		

FMP 18/22



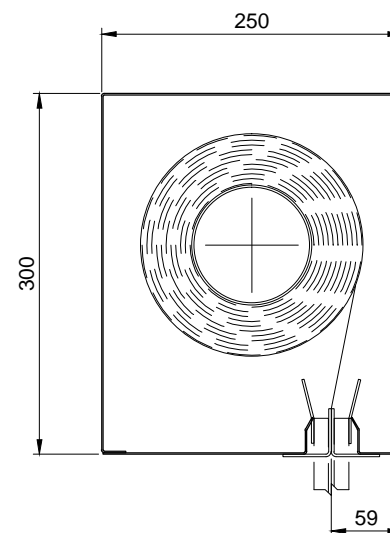
Product	Max Width	Max Drop	Seam
FMP	4m	4.0m	Horizontal
Fabric	EFP™ 2/1000/DGI		

FMP 18/26



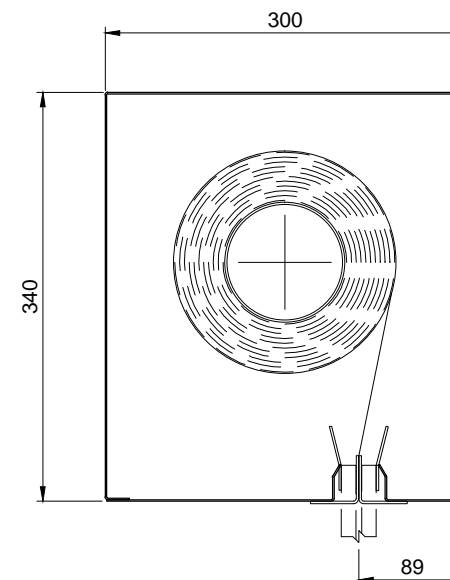
Product	Max Width	Max Drop	Seam
FMP	4m	6.0m	Horizontal
Fabric	EFP™ 2/1000/DGI		

FMP 25/30



Product	Max Width	Max Drop	Seam
FMP	4m	6.0m	Vertical
Fabric	EFP™ 2/1000/DGI		

FMP 30/34



Product	Max Width	Max Drop	Seam
FMP	4m	8.0m	Vertical
Fabric	EFP™ 2/1000/DGI		

NOTE: - Headbox size should allow additional min. 15mm for fixings bolt head

NOTE: - Headbox size should allow additional min. 20mm for fixings bolt head

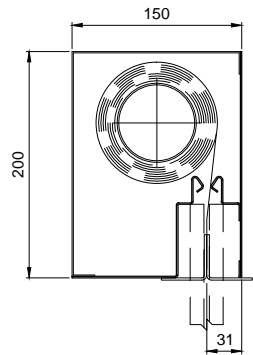


Edward House, Penner Road,
Havant, Hampshire, PO9 1QZ, UK
Tel: +44 (0)2392 454 405
Email: info@coopersfire.com
Web: www.coopersfire.com

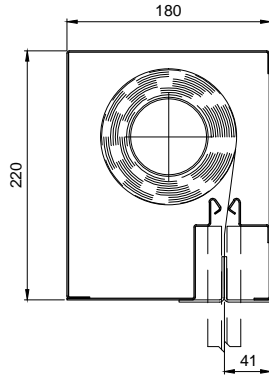
DRAWN: ML	TITLE: FireMaster® Plus ² Fire Curtain Headbox/Curtain Size Configuration (TBar)	
CHECKED: JR	© 1997-2018 COOPERS FIRE LIMITED ALL RIGHTS RESERVED. THIS DESIGN MAY NOT BE REPRODUCED IN ANY MATERIAL FORM, INCLUDING ELECTRONICALLY WITHOUT THE WRITTEN PERMISSION OF THE COPYRIGHT NAMES	ALL DIMENSIONS IN MILLIMETRES UNLESS OTHERWISE STATED
APPROVED: JR	DRG. No. 607/035/MK	ISSUE: 1 DATE: 22.06.2018

FIREMASTER®/FIREMASTER® PLUS² FIRE CURTAIN WITH SMOKE SEAL HEADBOX CONFIGURATION SECTIONS

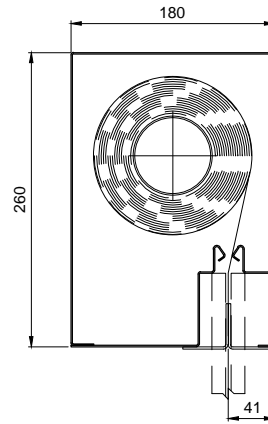
FM 15/20/SS
FMP 15/20/SS



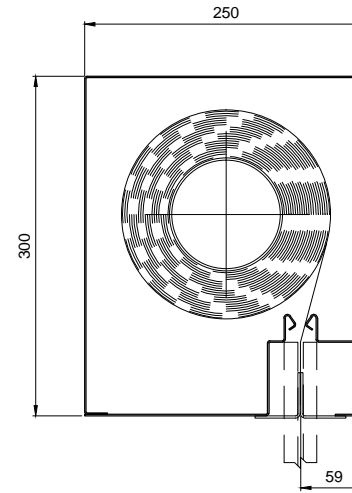
FM 18/22/SS
FMP 18/22/SS



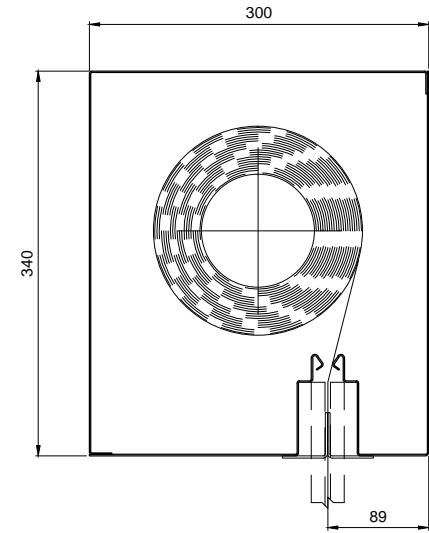
FM 18/26/SS
FMP 18/26/SS



FM 25/30/SS
FMP 25/30/SS



FMP 30/34/SS



Product	Max Width	Max Drop	Fabric
FM	5 metres	3.5 metres	EFP™ A1
FMP	4 metres	2.5 metres	EFP™ 2/1000/DGI

Product	Max Width	Max Drop	Fabric
FM	5 metres	4.5 metres	EFP™ A1
FMP	4 metres	3.0 metres	EFP™ 2/1000/DGI

Product	Max Width	Max Drop	Fabric
FM	5 metres	6.0 metres	EFP™ A1
FMP	4 metres	4.0 metres	EFP™ 2/1000/DGI

Product	Max Width	Max Drop	Fabric
FM	5 metres	6.0 metres	EFP™ A1
FMP	4 metres	6.0 metres	EFP™ 2/1000/DGI

Product	Max Width	Max Drop	Fabric
FM	n/a	n/a	EFP™ A1
FMP	4 metres	8.0 metres	EFP™ 2/1000/DGI



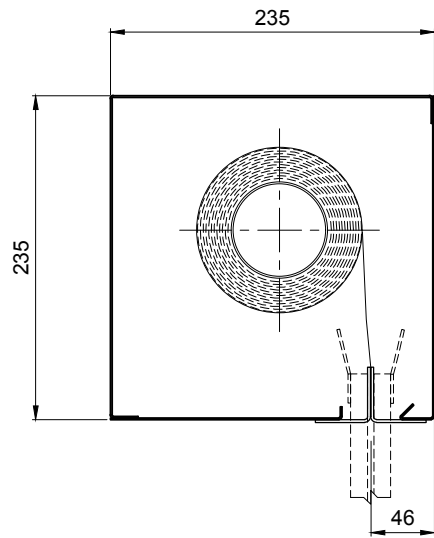
Edward House, Penner Road,
Havant, Hampshire, PO9 1QZ, UK
Tel: +44 (0)2392 454 405
Email: info@coopersfire.com
Web: www.coopersfire.com

DRAWN: ML	TITLE: FireMaster®/FireMaster Plus ² with Smoke Seal Headbox and Curtain Size Matrix (T Bbar)	
CHECKED: JR	© 1997-2018 COOPERS FIRE LIMITED. ALL RIGHTS RESERVED. THIS DESIGN MAY NOT BE REPRODUCED IN ANY MATERIAL FORM, INCLUDING ELECTRONICALLY, WITHOUT THE WRITTEN PERMISSION OF THE COPYRIGHT NAMES.	ALL DIMENSIONS IN MILLIMETRES UNLESS OTHERWISE STATED
APPROVED: JR	DRG. No. 600/120/MK	ISSUE: 1 DATE: 04.07.2018

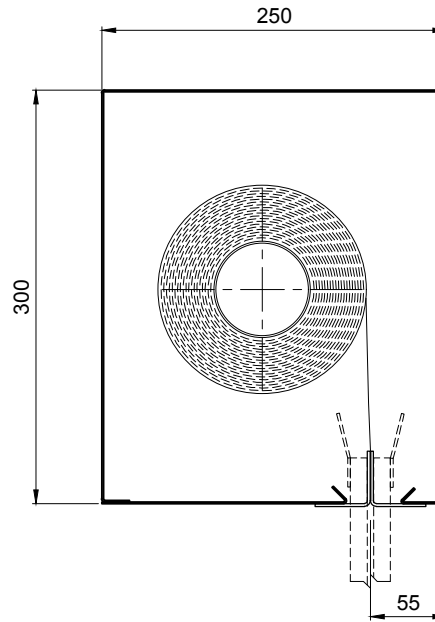
* SIZES GREATER THAN STATED PLEASE CONTACT COOPERS

FIREMASTER® PLUS² WIDE SINGLE ROLLER (WSR) FIRE CURTAIN HEADBOX CONFIGURATION SECTIONS

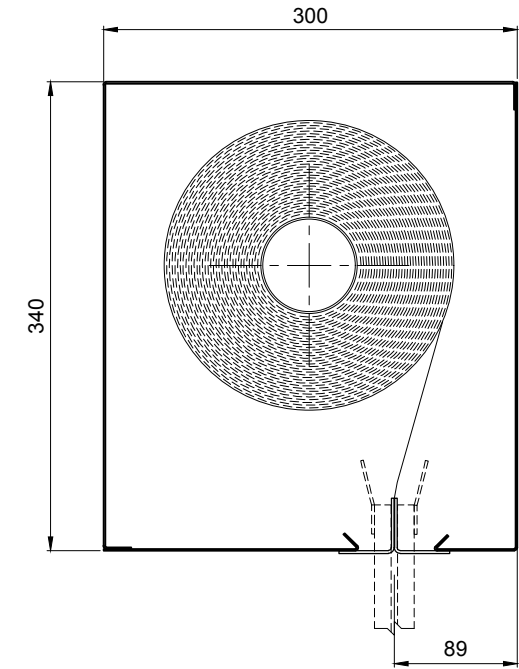
WSR 23/23



WSR 25/30



WSR 30/34



FABRIC TYPE	WIDTH		DROP		SEAM
	MIN	MAX	MIN	MAX	
EFP™ 2/1000 DGI	1M	10M	1M	4M	Horizontal

FABRIC TYPE	WIDTH		DROP		SEAM
	MIN	MAX	MIN	MAX	
EFP™ 2/1000 DGI	1M	17M	1M	4M	Vertical
EFP™ 2/1000 DGI	1M	17M	1M	6M	Horizontal

FABRIC TYPE	WIDTH		DROP		SEAM
	MIN	MAX	MIN	MAX	
EFP™ 2/1000 DGI	1M	11M	1M	8M	Vertical

Note: Over 6M drop additional assessment is required



Edward House, Penner Road,
Havant, Hampshire, PO9 1QZ, UK

Tel: +44 (0) 23 9245 4405
Fax: +44 (0) 23 9249 2732

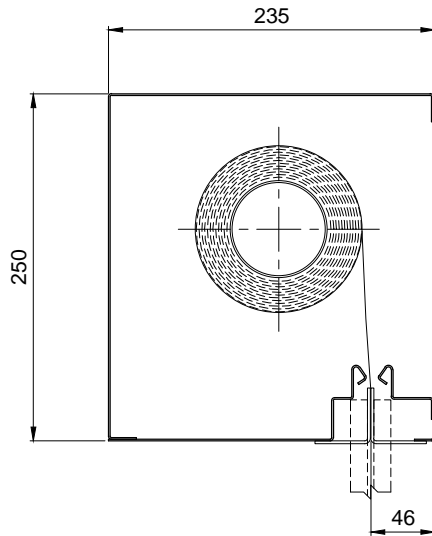
Email: info@coopersfire.com
Web: www.coopersfire.com

DRAWN: ML	TITLE: FireMasterPlus² (WSR) Headbox and Curtain Size Matrix (T bar)	
CHECKED: JR	<small>© 1997-2018 A COOPER GROUP LIMITED ALL RIGHTS RESERVED. THIS DESIGN MAY NOT BE REPRODUCED IN ANY MATERIAL FORM, INCLUDING ELECTRONICALLY WITHOUT THE WRITTEN PERMISSION OF THE COPYRIGHT NAMES</small>	
APPROVED: JR	DRG. No. 602/121/MK	ALL DIMENSION IN MILLIMETERS UNLESS OTHERWISE STATED ISSUE: 1 DATE: 11.05.2018

* SIZES GREATER THAN STATED PLEASE CONTACT COOPERS

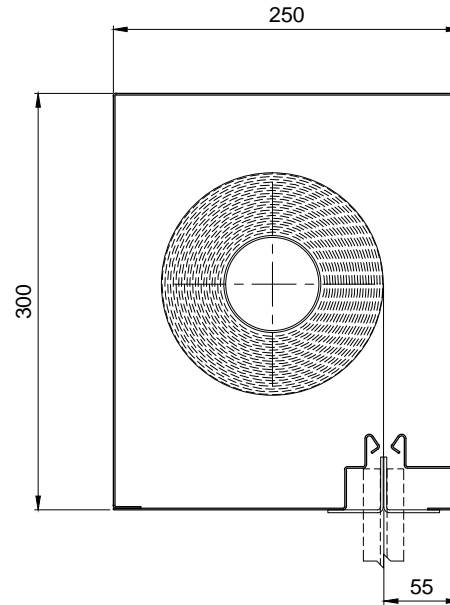
FIREMASTER® PLUS² FIRE CURTAIN WITH SMOKE SEAL WIDE SINGLE ROLLER (WSR) HEADBOX SECTIONS

WSR 23/25/SS



FABRIC TYPE	WIDTH		DROP		SEAM
	MIN	MAX	MIN	MAX	
EFP™ 2/1000 DGI	1M	10M	1M	4M	Horizontal

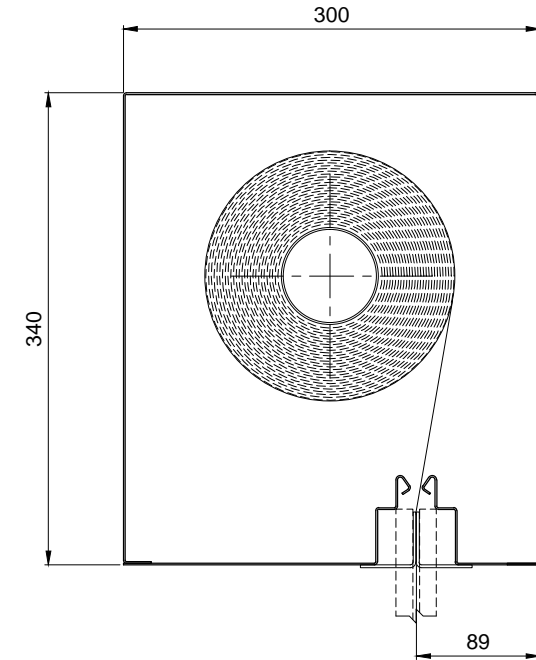
WSR 25/30/SS



FABRIC TYPE	WIDTH		DROP		SEAM
	MIN	MAX	MIN	MAX	
EFP™ 2/1000 DGI	1M	17M	1M	4M	Horizontal
EFP™ 2/1000 DGI	1M	7M	1M	5M	Vertical

Note: Over 5M drop additional assessment is required

WSR 30/34/SS



FABRIC TYPE	WIDTH		DROP		SEAM
	MIN	MAX	MIN	MAX	
EFP™ 2/1000 DGI	1M	20M	1M	4M	Horizontal
EFP™ 2/1000 DGI	1M	7M	1M	5M	Vertical

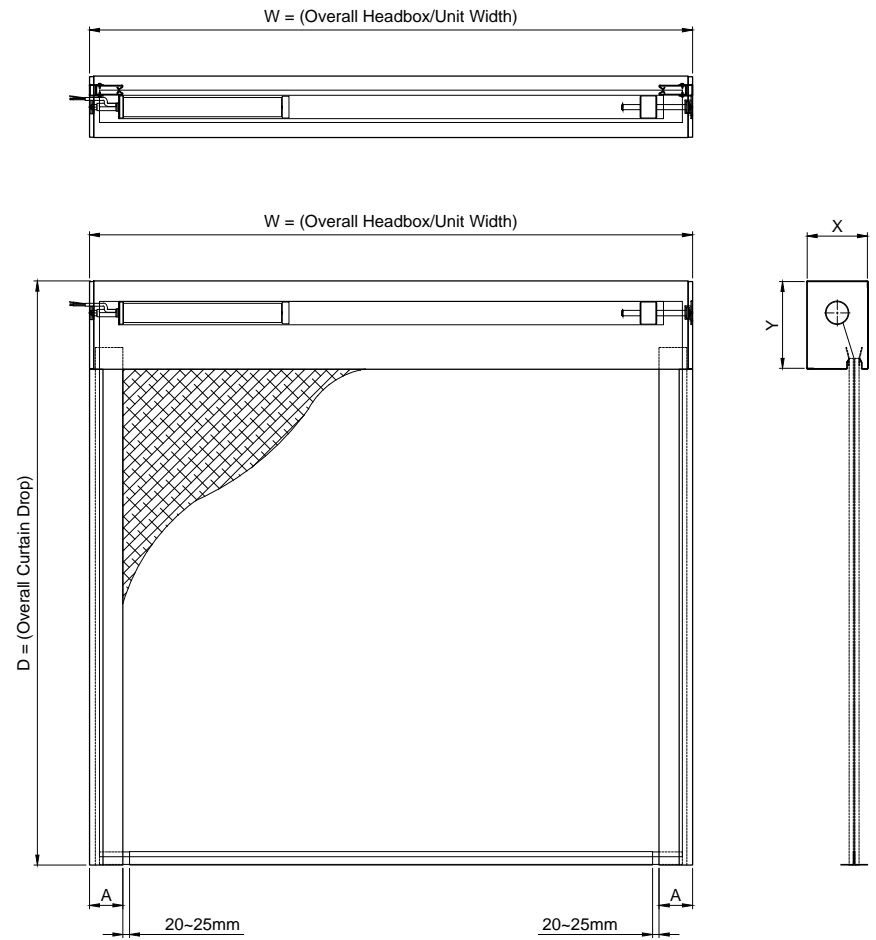
Note: Over 5M drop additional assessment is required



Edward House, Penner Road,
Havant, Hampshire, PO9 1QZ, UK
Tel: +44 (0)2392 454 405
Email: info@coopersfire.com
Web: www.coopersfire.com

DRAWN: ML	TITLE: FireMaster® Plus² WSR with Smoke Seal Headbox and Curtain Size Matrix (T Bbar)	
CHECKED: JR	© 1997-2018 COOPERS FIRE LIMITED ALL RIGHTS RESERVED. THIS DESIGN MAY NOT BE REPRODUCED IN ANY MATERIAL FORM, INCLUDING ELECTRONICALLY WITHOUT THE WRITTEN PERMISSION OF THE COPYRIGHT NAMES	ALL DIMENSIONS IN MILLIMETRES UNLESS OTHERWISE STATED
APPROVED: JR	DRG. No. 602/155/MK	ISSUE: 1 DATE: 04.07.2018

* SIZES GREATER THAN STATED PLEASE CONTACT COOPERS



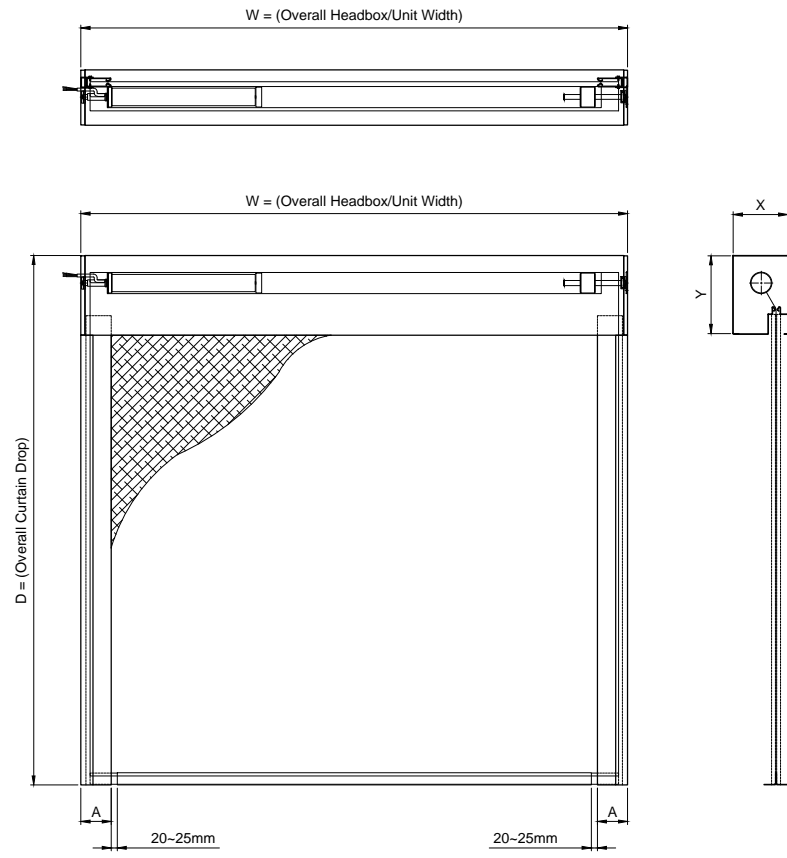
HEADBOX		OVERALL DIMENSION			SEAM TYPE
X (mm)	Y (mm)	W	D	A (mm)	
150	200	< =4m	< =2.5m	90 - 100	Horizontal
180	220	< =4m	< =4.0m	90 - 100	Horizontal
180	260	< =4m	< =6.0m	90 - 100	Horizontal
250	300	< =4m	< =6.0m	90 - 100	Vertical
300	340	< =4m	< =8.0m	123 - 133	Vertical



Edward House, Penner Road,
Havant, Hampshire, PO9 1QZ, UK
Tel: +44 (0)2392 454 405
Email: info@coopersfire.com
Web: www.coopersfire.com

DRAWN: ML	TITLE: FireMaster® Plus² Fire Curtain Matrix of Sizes - TBar (EFP™ 2/1000/DGI)	
CHECKED: JR	© 1997-2018 COOPERS FIRE LIMITED ALL RIGHTS RESERVED. THIS DESIGN MAY NOT BE REPRODUCED IN ANY MATERIAL FORM, INCLUDING ELECTRONICALLY WITHOUT THE WRITTEN PERMISSION OF THE COPYRIGHT NAMES	ALL DIMENSIONS IN MILLIMETRES UNLESS OTHERWISE STATED
APPROVED: JR	DRG. No. 607/039/MK	ISSUE: 1 DATE: 22.06.2018

NOTE: - Headbox size should allow additional min. 15mm for fixings bolt head
Sizes outside these standards - please contact Coopers



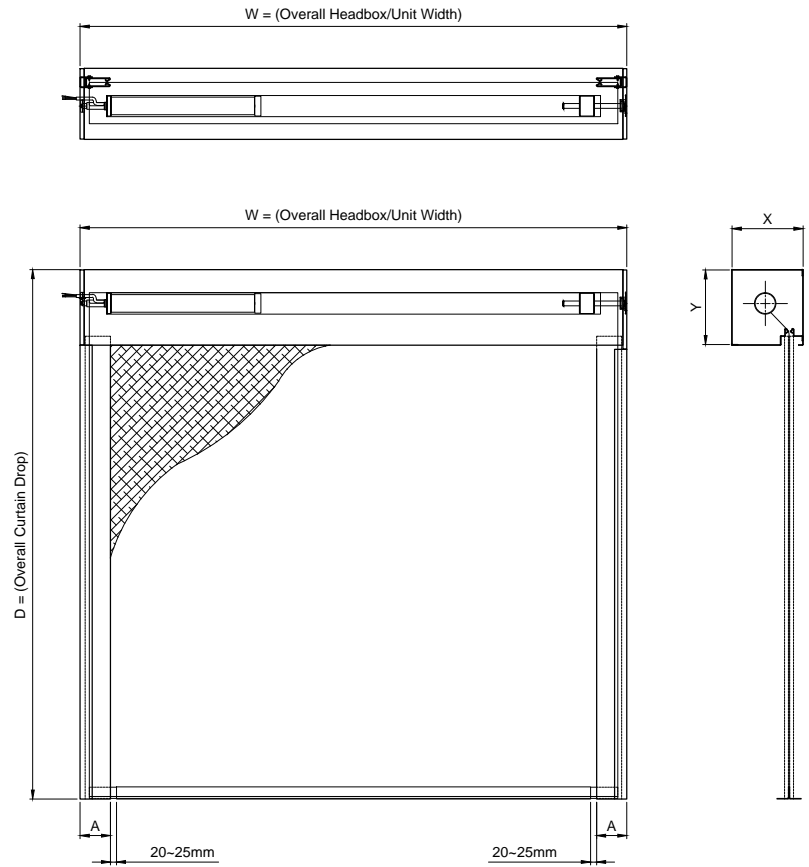
HEADBOX		OVERALL DIMENSION		
X (mm)	Y (mm)	W	D	A (mm)
150	200	< 4m	< 2.5m	90 - 100
180	220	< 4m	< 3.0m	90 - 100
180	260	< 4m	< 4.0m	90 - 100
250	300	< 4m	< 6.0m	90 - 100
300	340	< 4m	< 8.0m	123 - 133



Edward House, Penner Road,
Havant, Hampshire, PO9 1QZ, UK
Tel: +44 (0)2392 454 405
Email: info@coopersfire.com
Web: www.coopersfire.com

DRAWN: ML	TITLE: FireMaster® Plus² with Smoke Seal Matrix of Sizes (EFP™ 2/1000/DGI) - Tbar	
CHECKED: JR	© 1997-2018 COOPERS FIRE LIMITED ALL RIGHTS RESERVED. THIS DESIGN MAY NOT BE REPRODUCED IN ANY MATERIAL FORM, INCLUDING ELECTRONICALLY WITHOUT THE WRITTEN PERMISSION OF THE COPYRIGHT NAMES	ALL DIMENSIONS IN MILLIMETRES UNLESS OTHERWISE STATED
APPROVED: JR	DRG. No. 607/044/MK	ISSUE: 1 DATE: 04.07.2018

NOTE: -
SIZES OUTSIDE THESE STANDARDS - PLEASE CONTACT COOPERS



HEADBOX		OVERALL DIMENSION		
X (mm)	Y (mm)	W	D	A (mm)
235	250	< 10m	< 4.0m	90 - 100
250	300	< 17m	< 4.0m	90 - 100
		< 7m	< 5.0m	90 - 100
300	340	< 20m	< 4.0m	90 - 100
		< 7m	< 5.0m	90 - 100

Note: Over 5M drop additional assessment is required



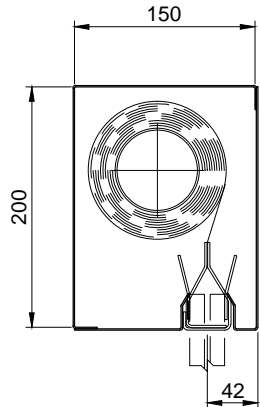
Edward House, Penner Road,
Havant, Hampshire, PO9 1QZ, UK
Tel: +44 (0)2392 454 405
Email: info@coopersfire.com
Web: www.coopersfire.com

DRAWN: ML	TITLE: FireMaster® Plus² WSR (Smoke Seal) Matrix of Sizes (EFP™ 2/1000/DGI) - Tbar	
CHECKED: JR	© 1997-2018 COOPERS FIRE LIMITED ALL RIGHTS RESERVED. THIS DESIGN MAY NOT BE REPRODUCED IN ANY MATERIAL FORM, INCLUDING ELECTRONICALLY WITHOUT THE WRITTEN PERMISSION OF THE COPYRIGHT NAMES	ALL DIMENSIONS IN MILLIMETRES UNLESS OTHERWISE STATED
APPROVED: JR	DRG. No. 602/163/MK	ISSUE: 1 DATE: 04.07.2018

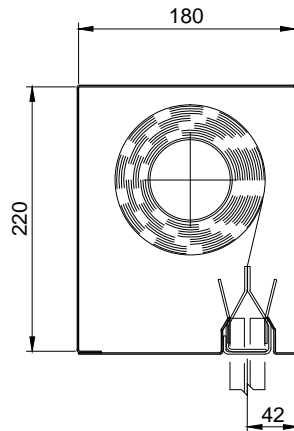
NOTE: -
SIZES OUTSIDE THESE STANDARDS - PLEASE CONTACT COOPERS

FIREMASTER® PLUS² FIRE CURTAIN HEADBOX SECTIONS

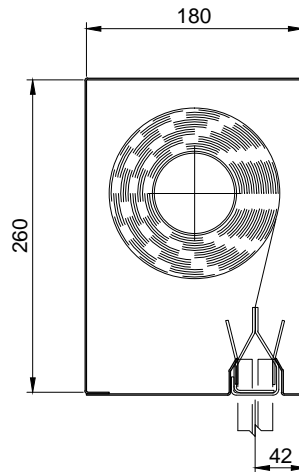
FMP 15/20



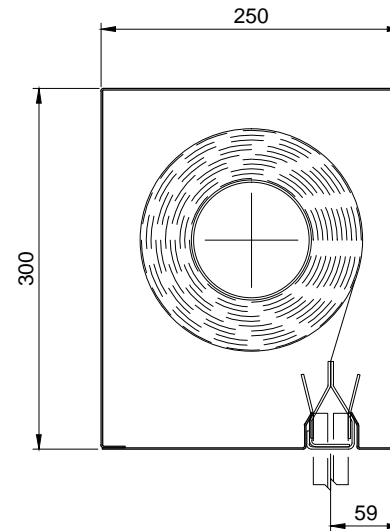
FMP 18/22



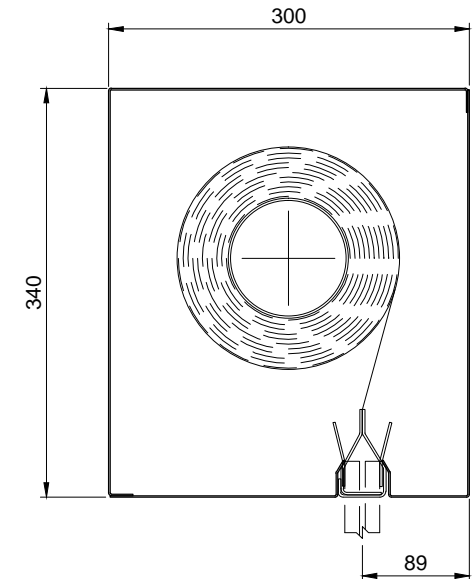
FMP 18/26



FMP 25/30



FMP 30/34



Product	Max Width	Max Drop	Seam	Fabric
FMP	3 metres	3.0 metres	Horizontal	EFP™ 2/1000/DGI

NOTE: - Headbox size should allow additional min. 15mm for fixings bolt head

Product	Max Width	Max Drop	Seam	Fabric
FMP	3 metres	3.0 metres	Vertical	EFP™ 2/1000/DGI

NOTE: - Headbox size should allow additional min. 20mm for fixings bolt head



Edward House, Penner Road,
Havant, Hampshire, PO9 1QZ, UK

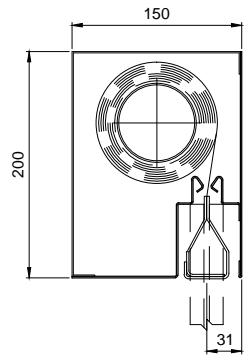
Tel: +44 (0)2392 454 405

Email: info@coopersfire.com
Web: www.coopersfire.com

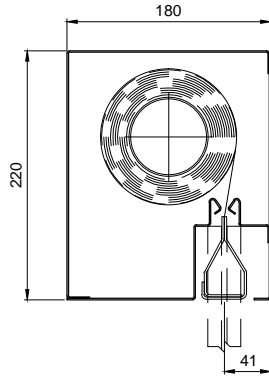
DRAWN: ML	TITLE: FireMaster® Plus ² Fire Curtain Headbox/Curtain Size Configuration (Jumbo Bar)	
CHECKED: JR	© 1997-2018 COOPERS FIRE LIMITED ALL RIGHTS RESERVED. THIS DESIGN MAY NOT BE REPRODUCED IN ANY MATERIAL FORM, INCLUDING ELECTRONICALLY WITHOUT THE WRITTEN PERMISSION OF THE COPYRIGHT NAMES	ALL DIMENSIONS IN MILLIMETRES UNLESS OTHERWISE STATED
APPROVED: JR	DRG. No. 607/035/MK	ISSUE: 1 DATE: 22.06.2018

FIREMASTER®/FIREMASTER® PLUS² FIRE CURTAIN WITH SMOKE SEAL HEADBOX CONFIGURATION SECTIONS

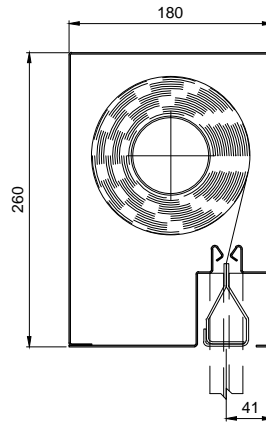
FM 15/20/SS
FMP 15/20/SS



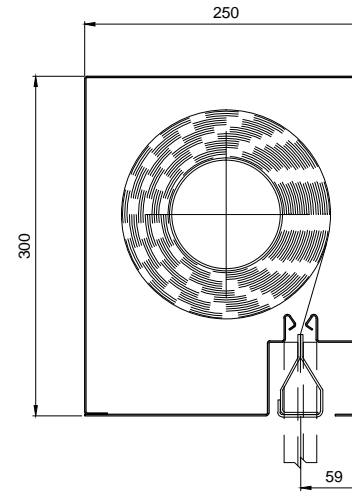
FM 18/22/SS
FMP 18/22/SS



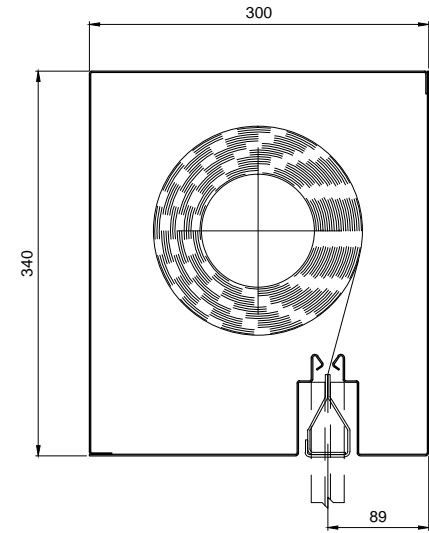
FM 18/26/SS
FMP 18/26/SS



FM 25/30/SS
FMP 25/30/SS



FMP 30/34/SS



Product	Max Width	Max Drop	Fabric
FM	3 metres	3.0 metres	EFP™ A1
FMP	3 metres	2.5 metres	EFP™ 2/1000/DGI

Product	Max Width	Max Drop	Fabric
FM	3 metres	3.0 metres	EFP™ A1
FMP	3 metres	3.0 metres	EFP™ 2/1000/DGI

Product	Max Width	Max Drop	Fabric
FM	3 metres	3.0 metres	EFP™ A1
FMP	3 metres	3.0 metres	EFP™ 2/1000/DGI

Product	Max Width	Max Drop	Fabric
FM	3 metres	3.0 metres	EFP™ A1
FMP	3 metres	3.0 metres	EFP™ 2/1000/DGI

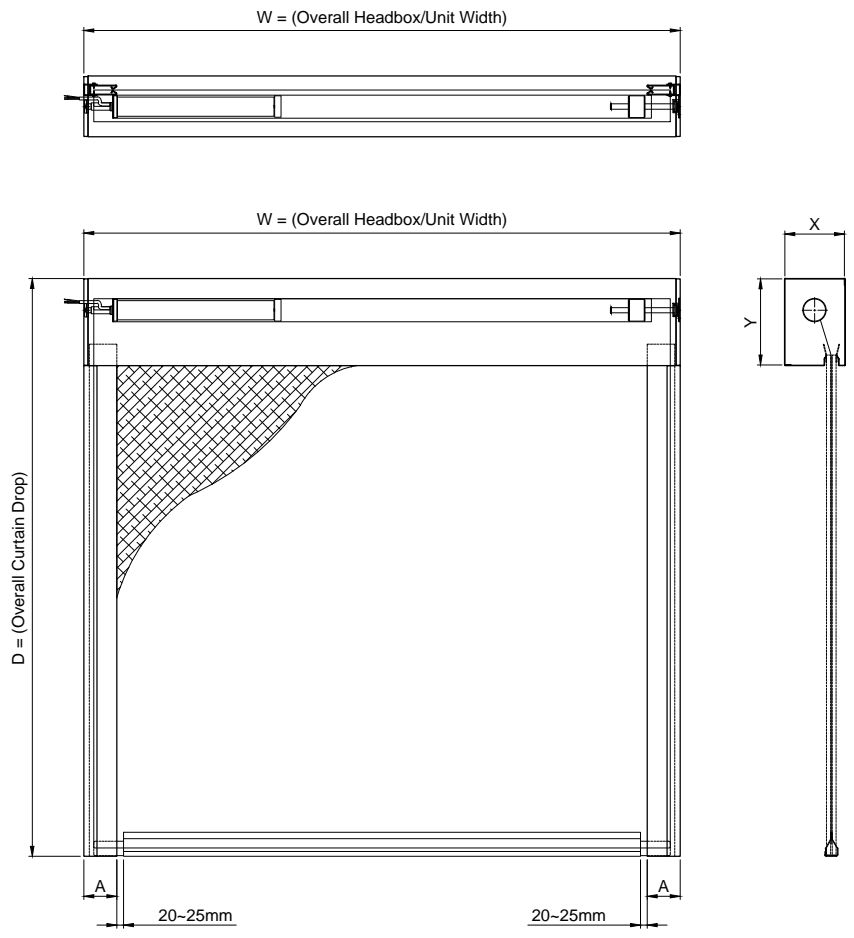
Product	Max Width	Max Drop	Fabric
FM	n/a	n/a	EFP™ A1
FMP	3 metres	3.0 metres	EFP™ 2/1000/DGI



Edward House, Penner Road,
Havant, Hampshire, PO9 1QZ, UK
Tel: +44 (0)2392 454 405
Email: info@coopersfire.com
Web: www.coopersfire.com

DRAWN: ML	TITLE: FireMaster®/FireMaster Plus ² with Smoke Seal Headbox and Curtain Size Matrix (Jumbo Bbar)	
CHECKED: JR	© 1997-2018 COOPERS FIRE LIMITED. ALL RIGHTS RESERVED. THIS DESIGN MAY NOT BE REPRODUCED IN ANY MATERIAL FORM, INCLUDING ELECTRONICALLY, WITHOUT THE WRITTEN PERMISSION OF THE COPYRIGHT NAMES.	ALL DIMENSIONS IN MILLIMETRES UNLESS OTHERWISE STATED
APPROVED: JR	DRG. No. 600/119/MK	ISSUE: 1 DATE: 04.07.2018

* SIZES GREATER THAN STATED PLEASE CONTACT COOPERS



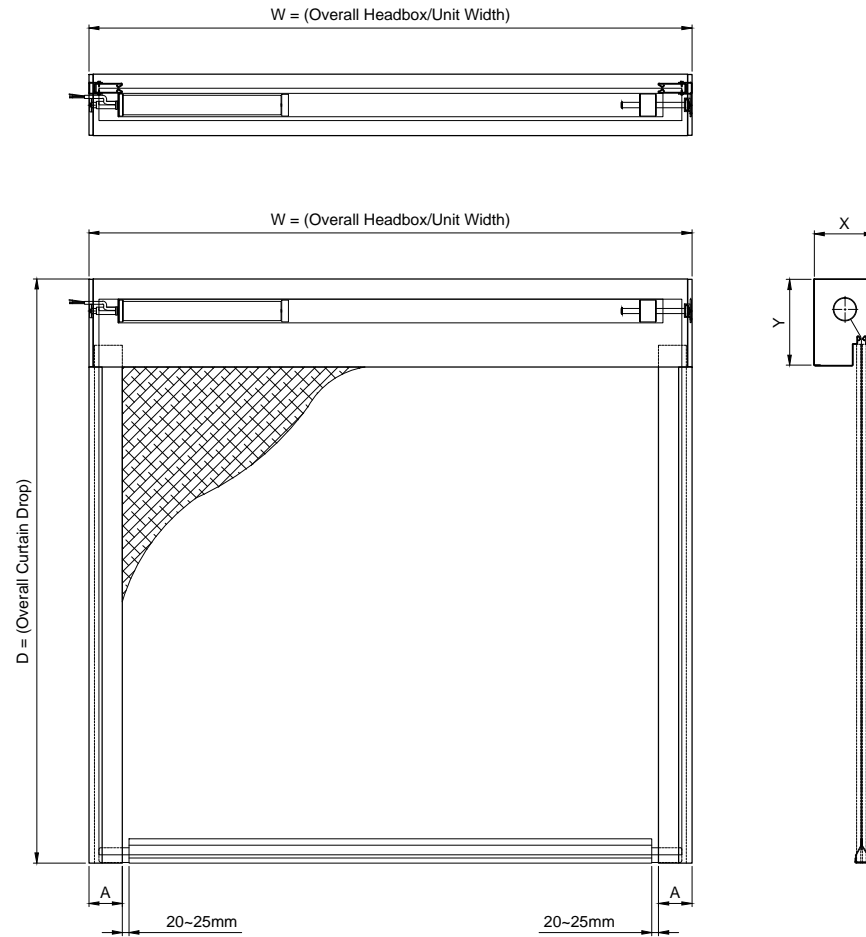
HEADBOX		OVERALL DIMENSION		
X (mm)	Y (mm)	W	D	A (mm)
150	200	< =3m	< =2.5m	90 - 100
180	220	< =3m	< =3.0m	90 - 100
180	260	< =3m	< =3.0m	90 - 100
250	300	< =3m	< =3.0m	90 - 100
300	340	< =3m	< =3.0m	90 - 100



Edward House, Penner Road,
Havant, Hampshire, PO9 1QZ, UK
Tel: +44 (0)2392 454 405
Email: info@coopersfire.com
Web: www.coopersfire.com

DRAWN: ML	TITLE: FireMaster® Plus² Fire Curtain Matrix of Sizes - Jumbo (EFP™ 2/1000/DGI)	
CHECKED: JR	© 1997-2018 COOPERS FIRE LIMITED ALL RIGHTS RESERVED. THIS DESIGN MAY NOT BE REPRODUCED IN ANY MATERIAL FORM, INCLUDING ELECTRONICALLY WITHOUT THE WRITTEN PERMISSION OF THE COPYRIGHT NAMES	ALL DIMENSIONS IN MILLIMETRES UNLESS OTHERWISE STATED
APPROVED: JR	DRG. No. 607/038/MK	ISSUE: 1 DATE: 11.05.2018

NOTE: - Headbox size should allow additional min. 15mm for fixings bolt head
Sizes outside these standards - please contact Coopers



HEADBOX		OVERALL DIMENSION		
X (mm)	Y (mm)	W	D	A (mm)
150	200	< 3m	< 3m	90 - 100
180	220	< 3m	< 3m	90 - 100
180	260	< 3m	< 3m	90 - 100
250	300	< 3m	< 3m	90 - 100



Edward House, Penner Road,
Havant, Hampshire, PO9 1QZ, UK
Tel: +44 (0)2392 454 405
Email: info@coopersfire.com
Web: www.coopersfire.com

DRAWN: ML	TITLE: FireMaster® with Smoke Seal Matrix of Sizes (EFP™ A1) - Jumbo	
CHECKED: JR	© 1997-2018 COOPERS FIRE LIMITED ALL RIGHTS RESERVED. THIS DESIGN MAY NOT BE REPRODUCED IN ANY MATERIAL FORM, INCLUDING ELECTRONICALLY WITHOUT THE WRITTEN PERMISSION OF THE COPYRIGHT NAMES	ALL DIMENSIONS IN MILLIMETRES UNLESS OTHERWISE STATED
APPROVED: JR	DRG. No. 606/334/MK	ISSUE: 1 DATE: 04.07.2018

NOTE: -
SIZES OUTSIDE THESE STANDARDS - PLEASE CONTACT COOPERS