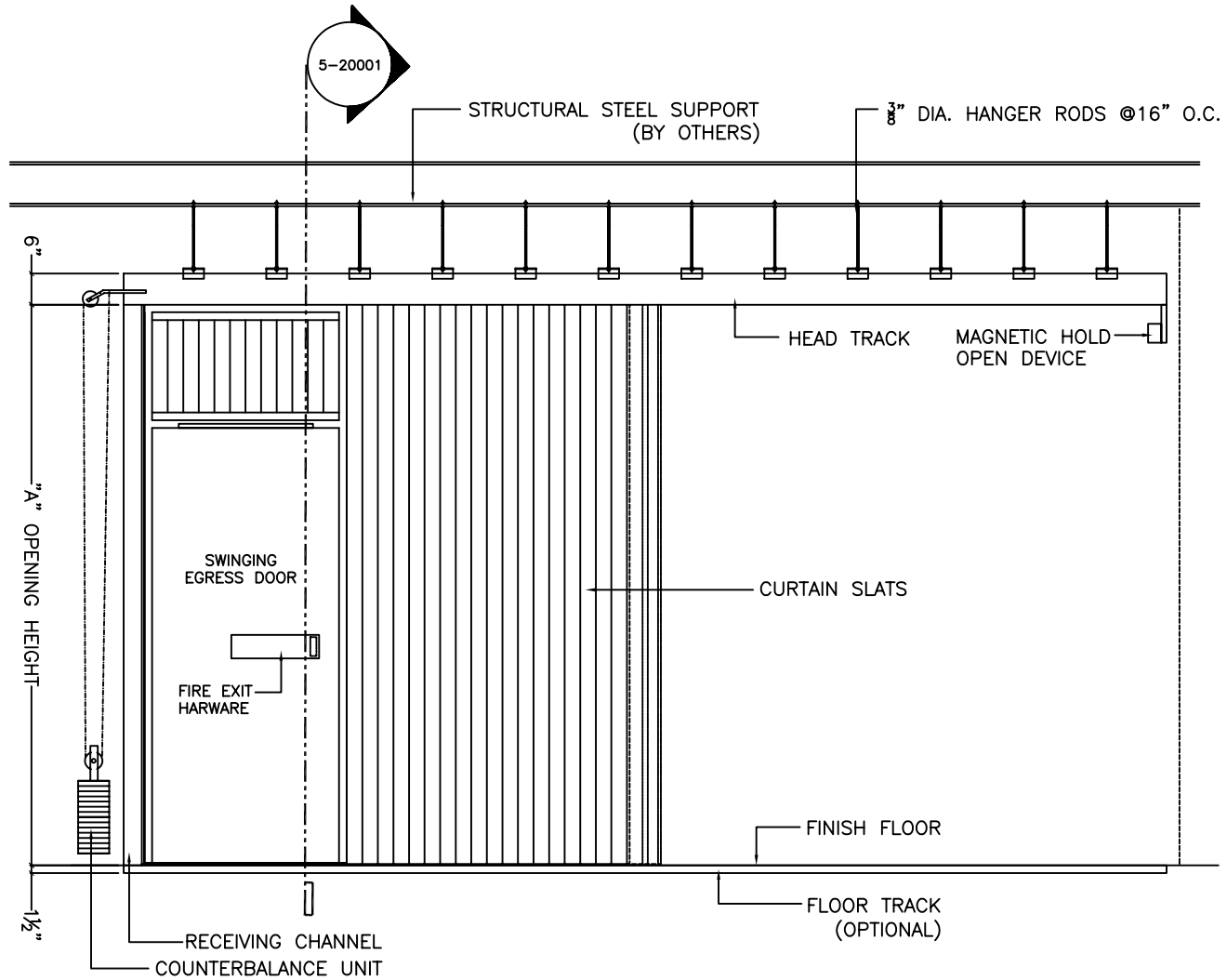




SIDE SLIDING FIRE DOOR MODEL S7400

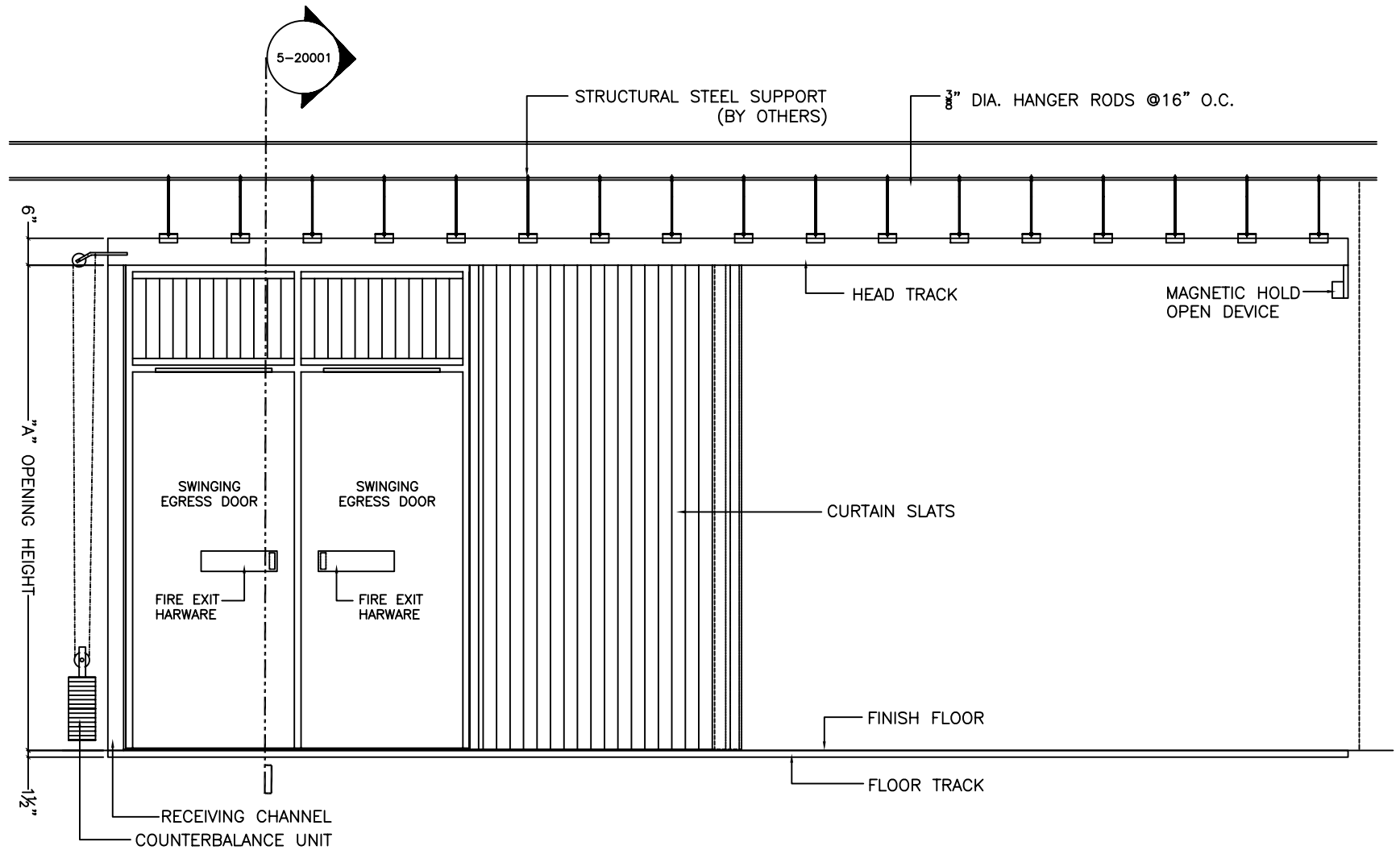
5-11011





SIDE SLIDING FIRE DOOR MODEL S7500

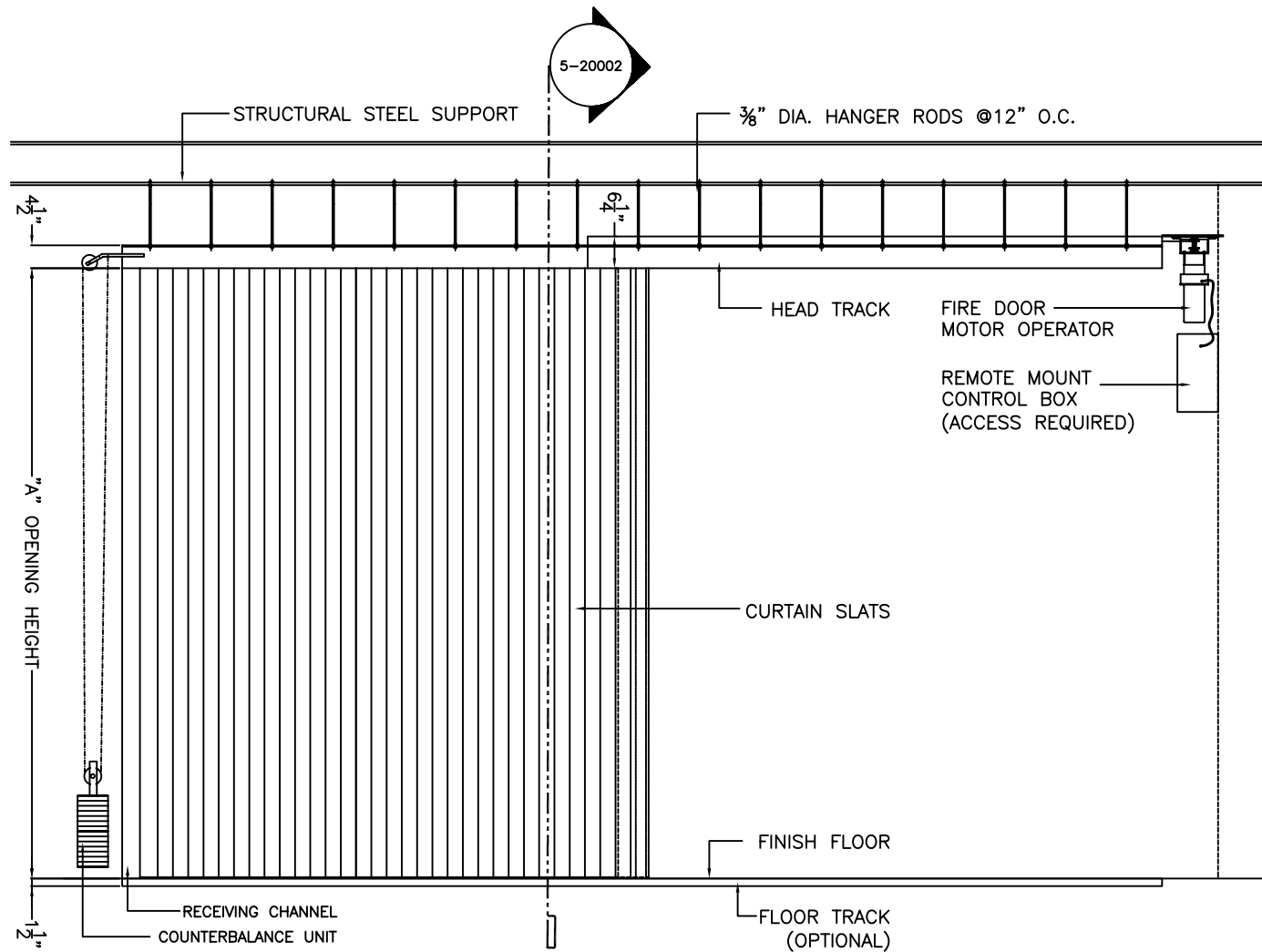
5-11021





SIDE SLIDING FIRE DOOR MODEL S7600

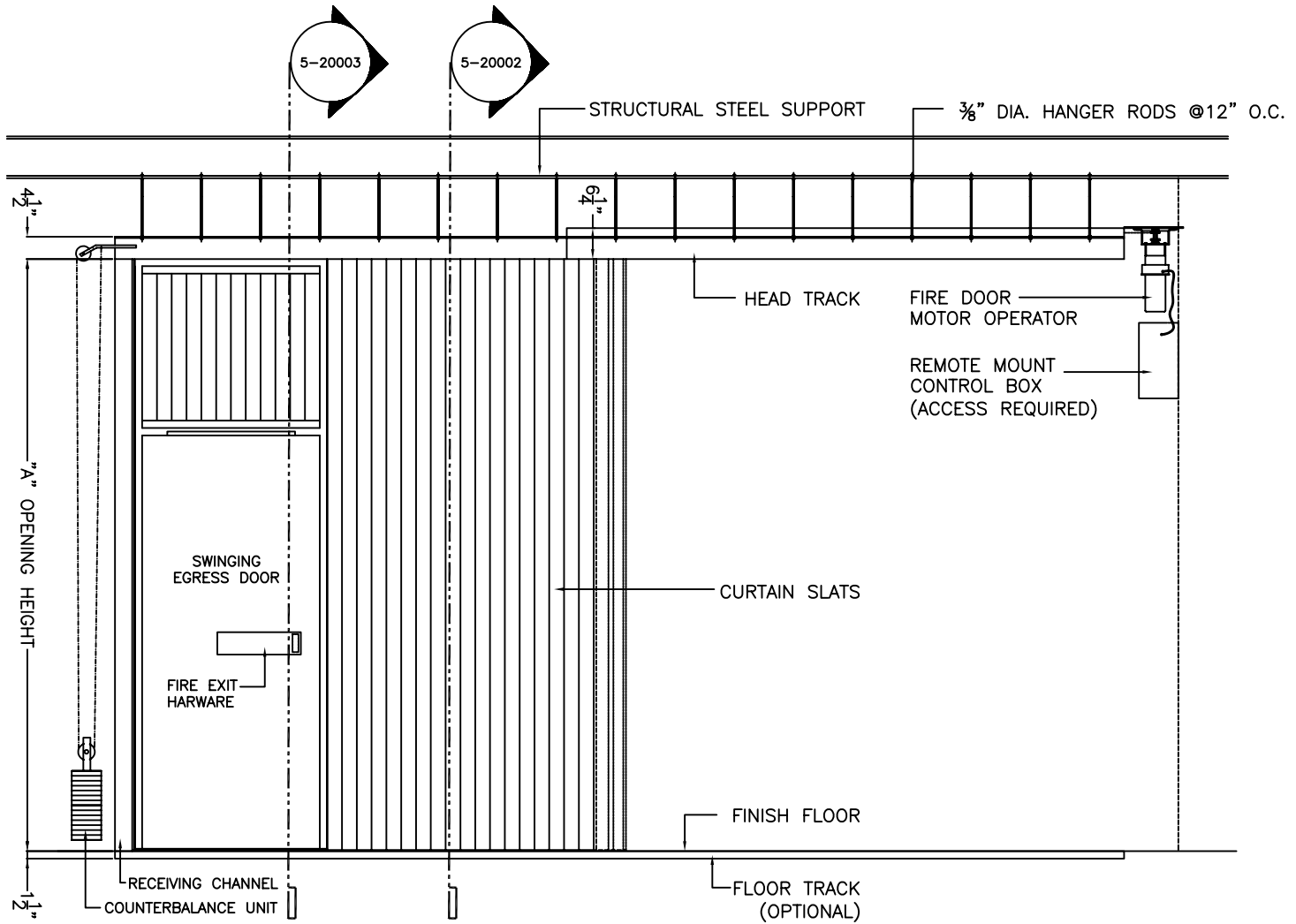
5-11100





SIDE SLIDING FIRE DOOR MODEL S7700

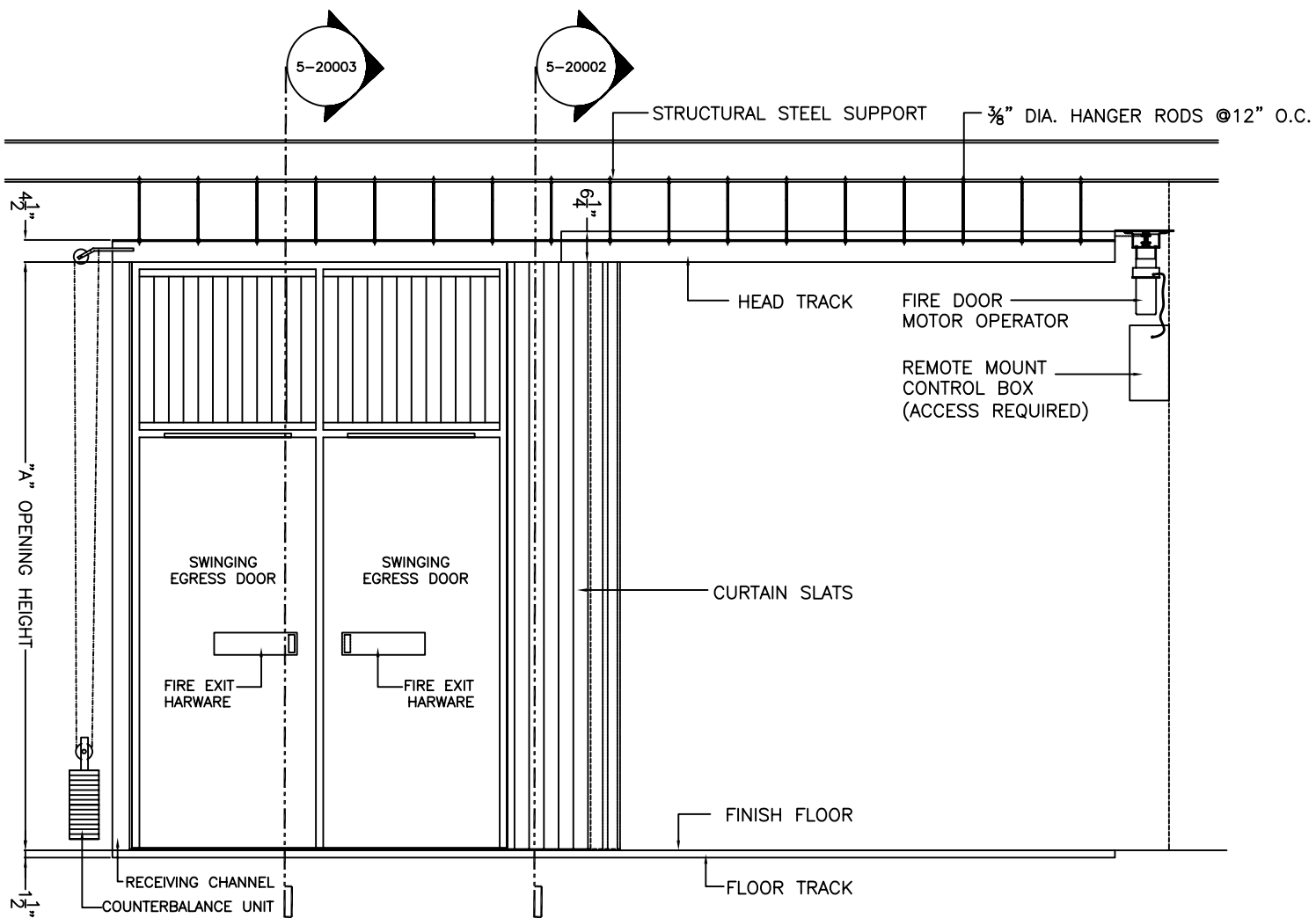
5-11111





SIDE SLIDING FIRE DOOR MODEL S7900

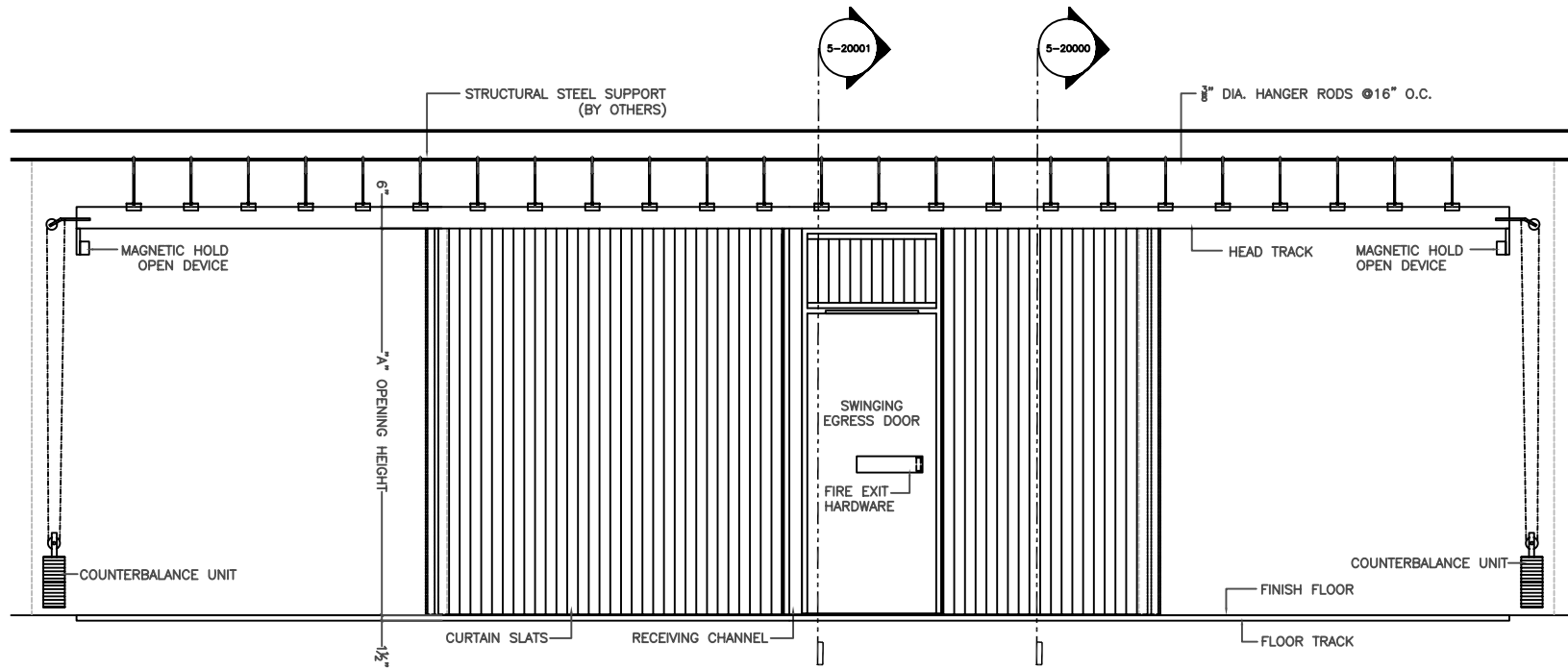
5-11121





BI-PARTING SIDE SLIDING FIRE DOOR MODELS S7200/S7400

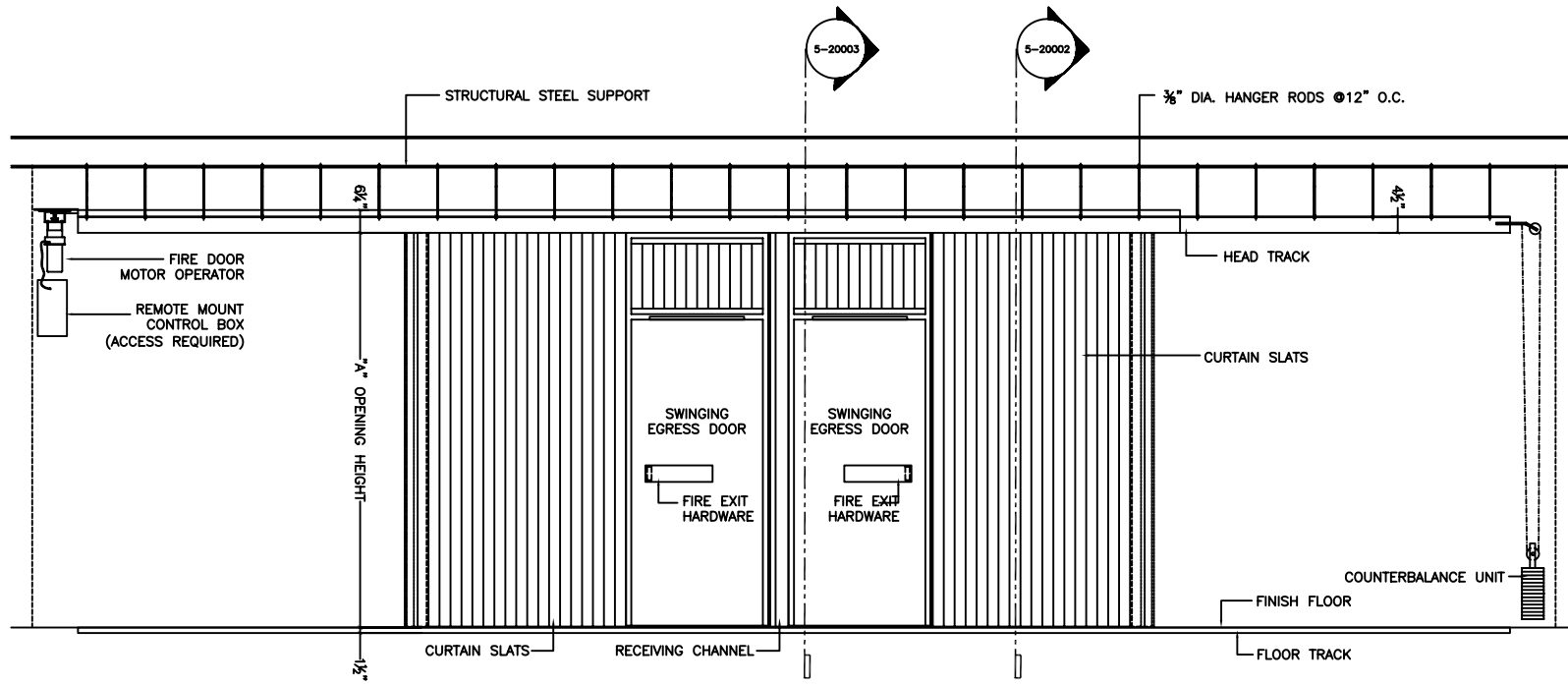
5-12011





BI-PARTING SIDE SLIDING FIRE DOOR MODELS S7700/S7700

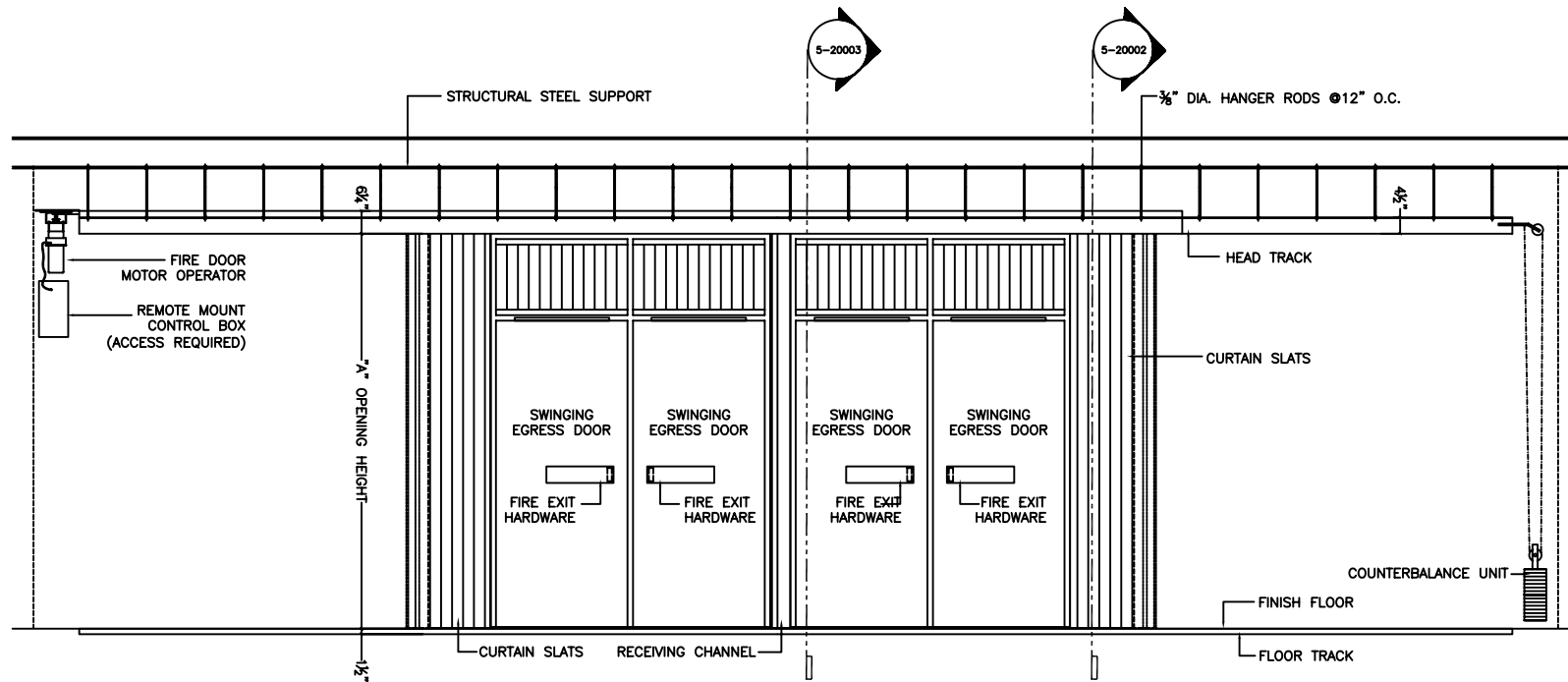
5-12121





BI-PARTING SIDE SLIDING FIRE DOOR MODEL S7900/S7900

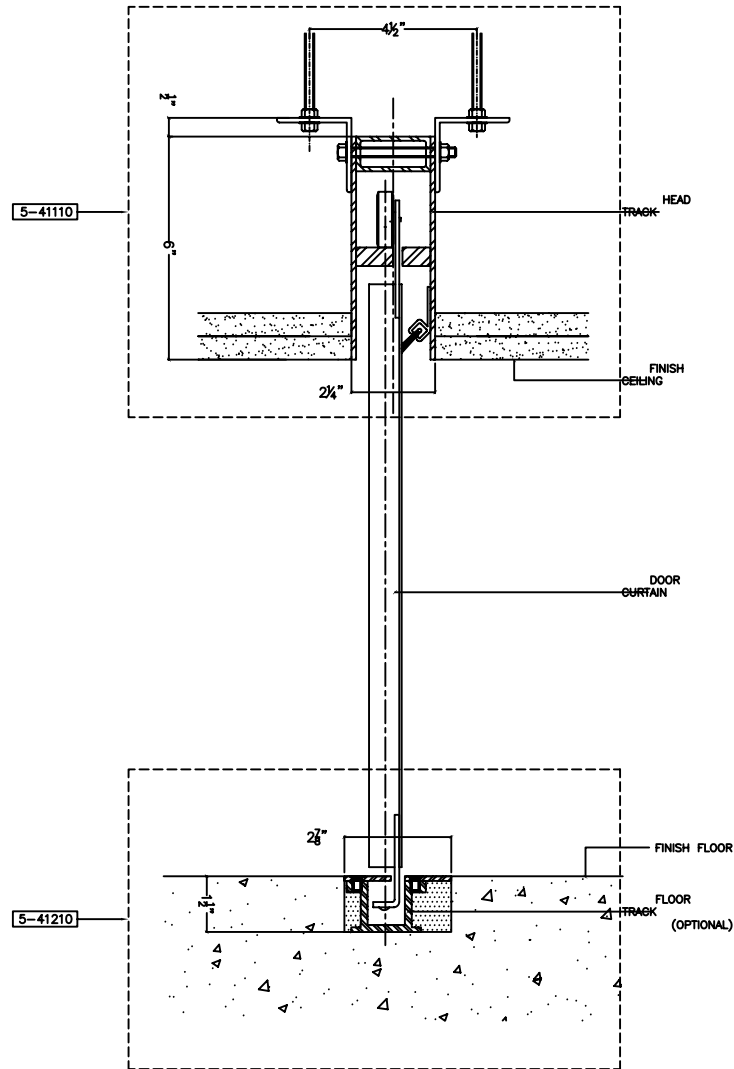
5-12131

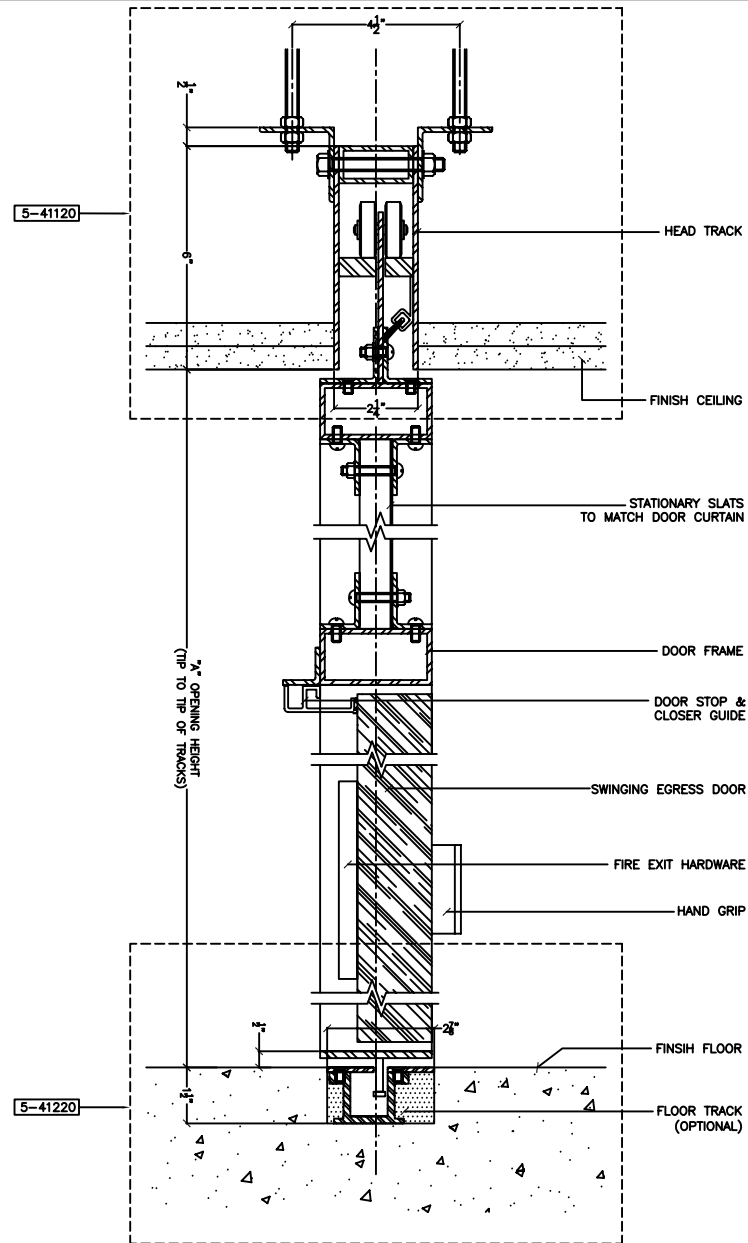




SIDE SLIDING FIRE DOOR MODEL S7200

5-20000

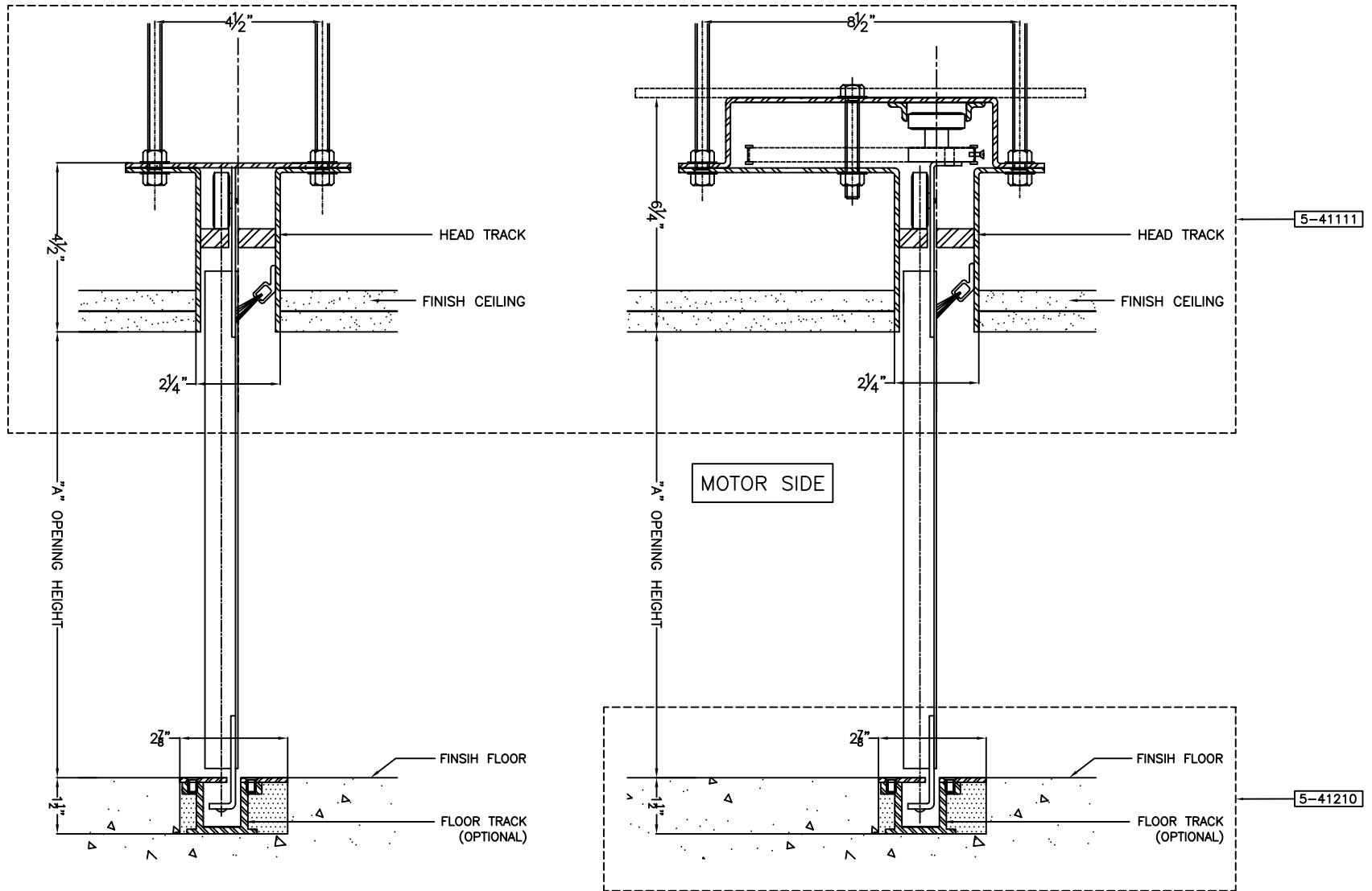


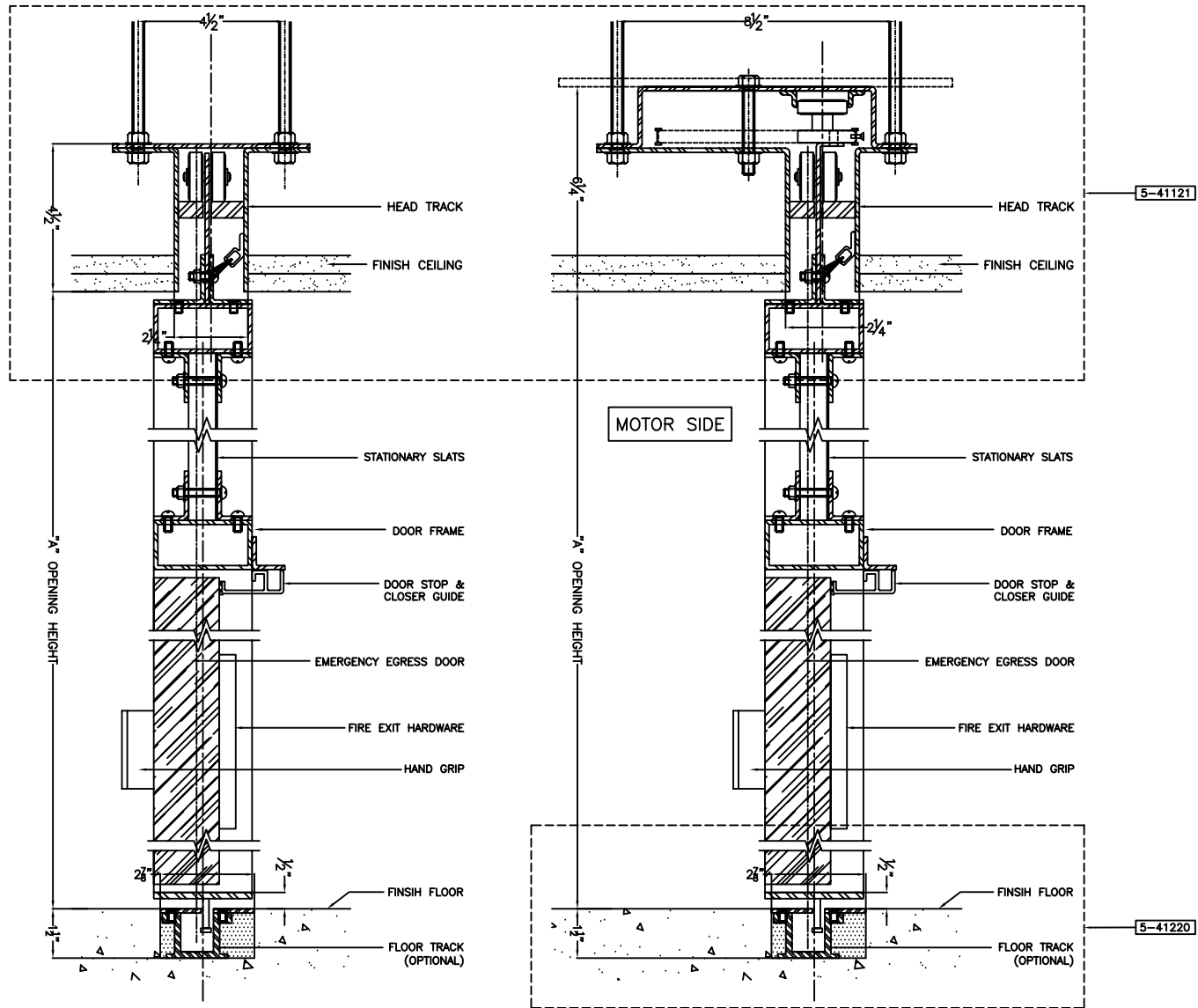




SIDE SLIDING FIRE DOOR MODELS S7600/S7700/S7900

5-20002

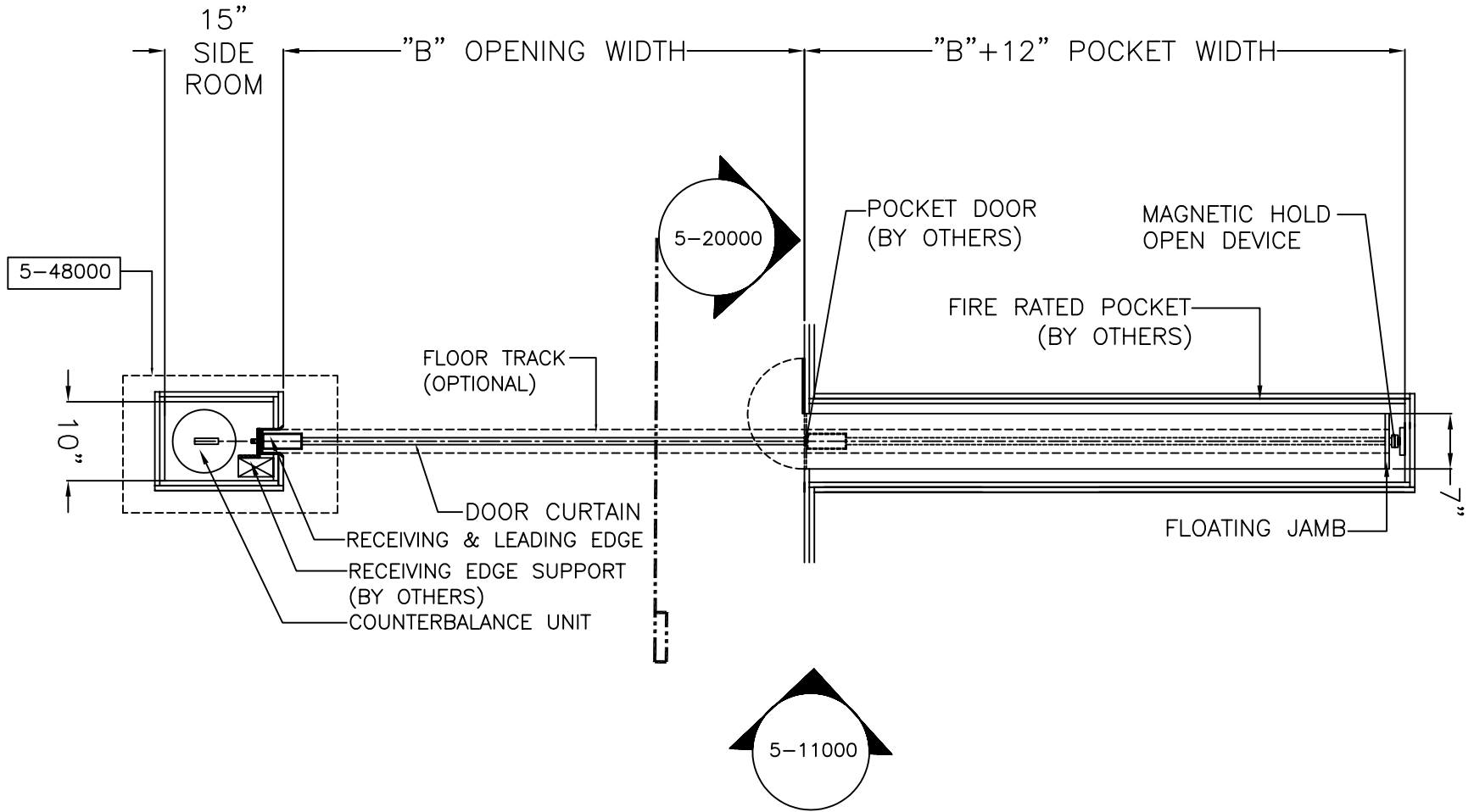


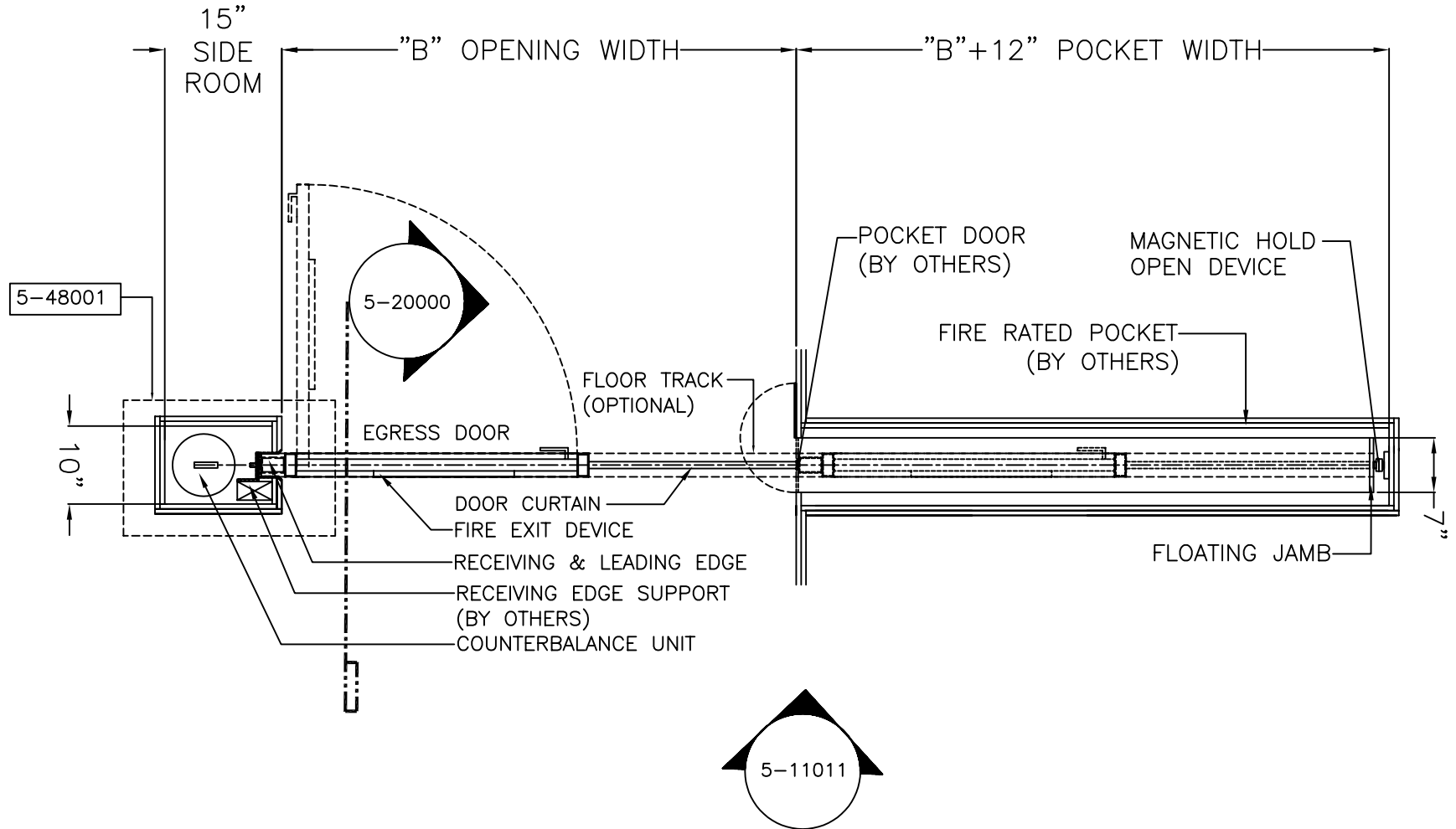




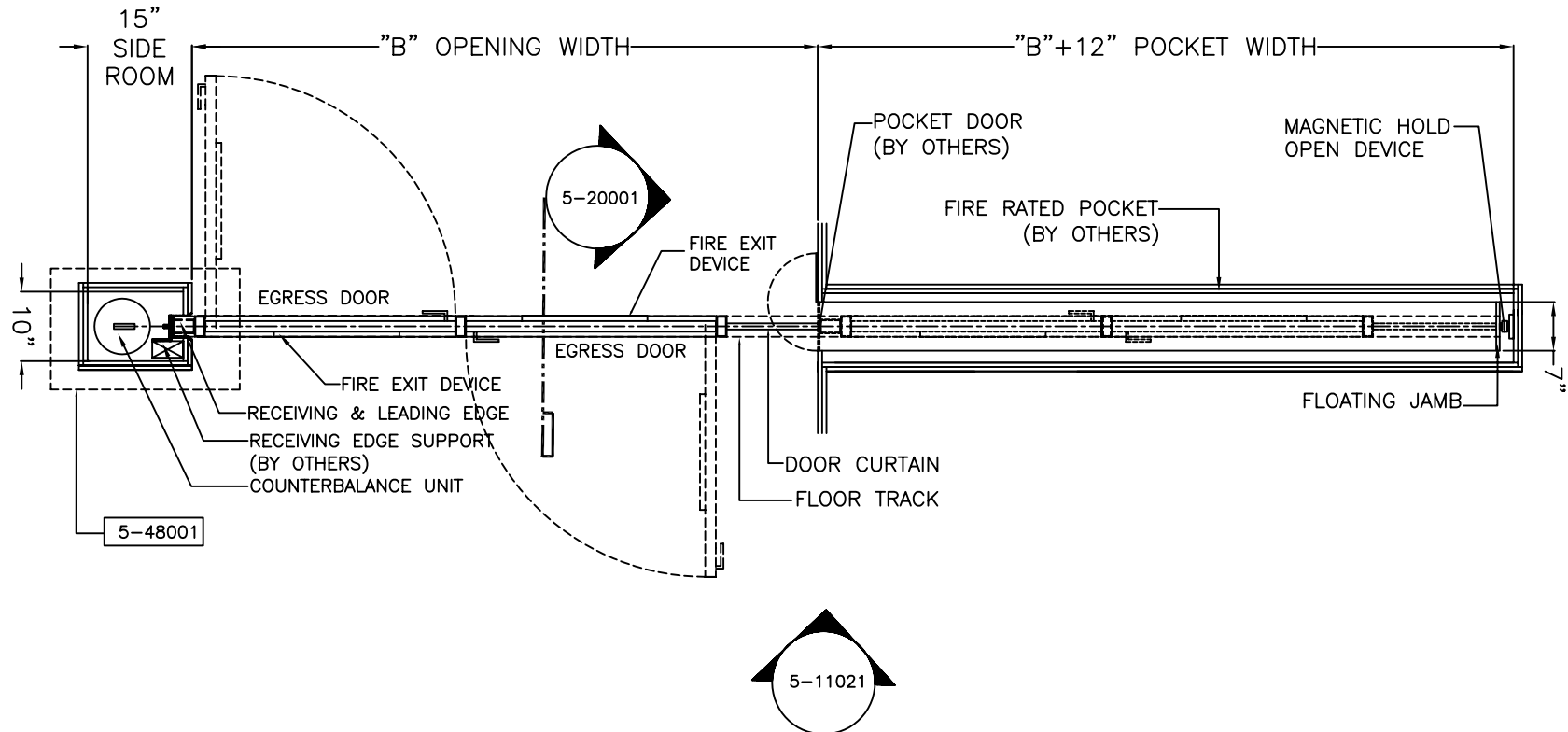
SIDE SLIDING FIRE DOOR MODEL S7200

5-31000





NOTE: EGRESS DOOR MAY SWING IN OPPOSITE DIRECTION

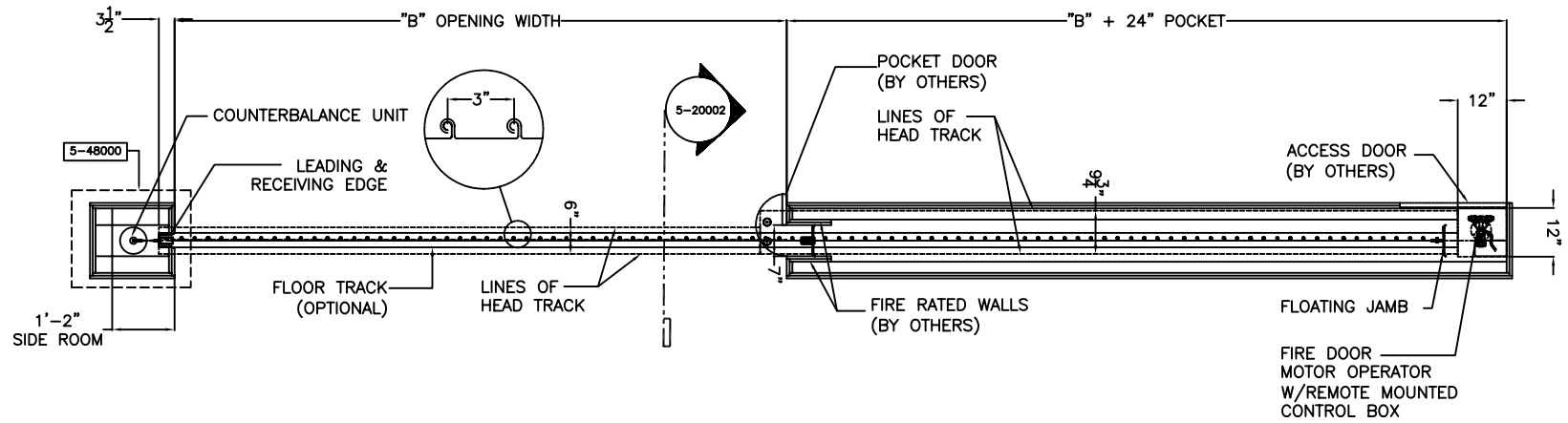


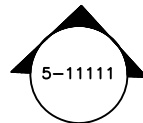
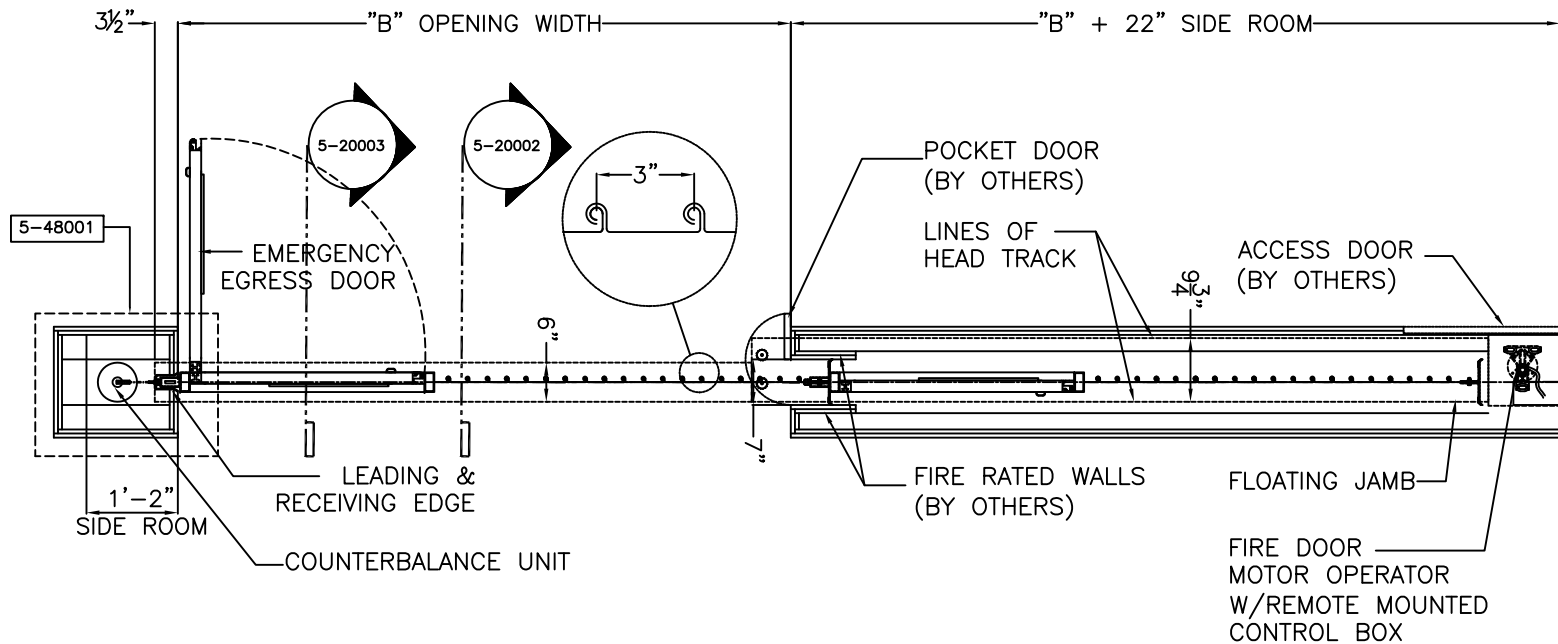
NOTE: EGRESS DOORS MAY SWING IN OPPOSITE AND ALTERNATE DIRECTIONS



SIDE SLIDING FIRE DOOR MODEL S7600

5-31100



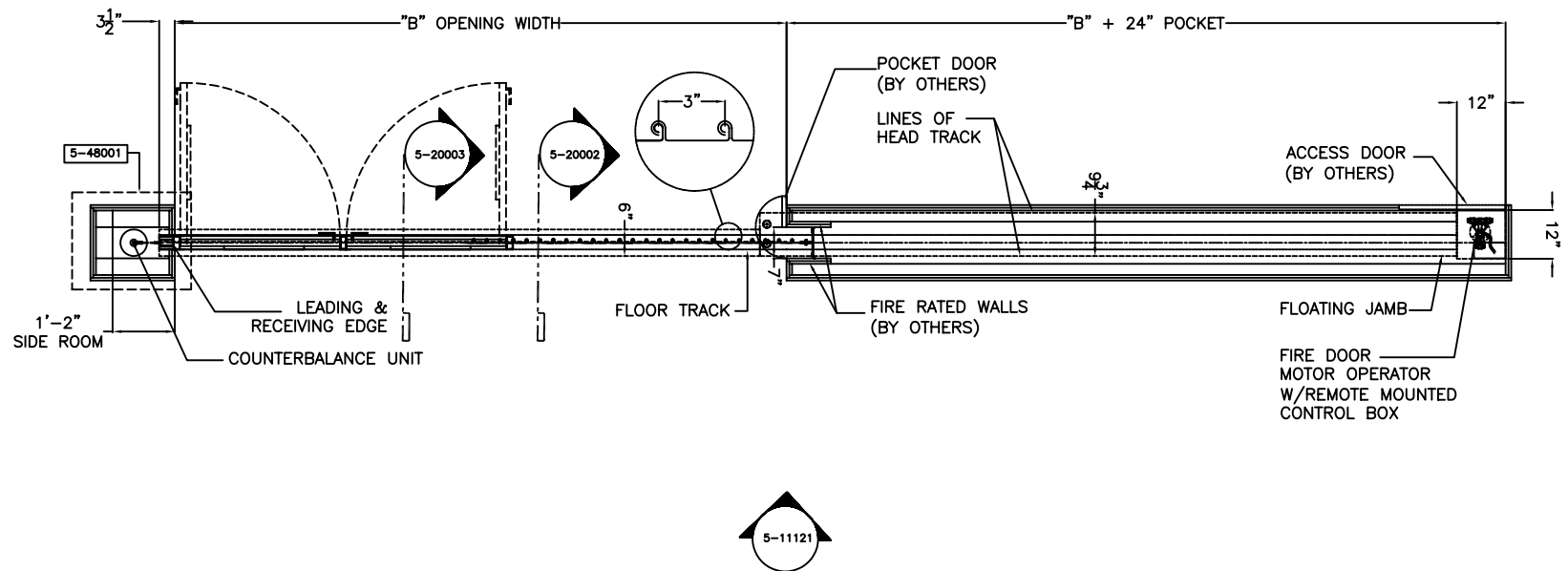


NOTE: EGRESS DOOR MAY SWING IN OPPOSITE DIRECTION



SIDE SLIDING FIRE DOOR MODEL S7900

5-31121

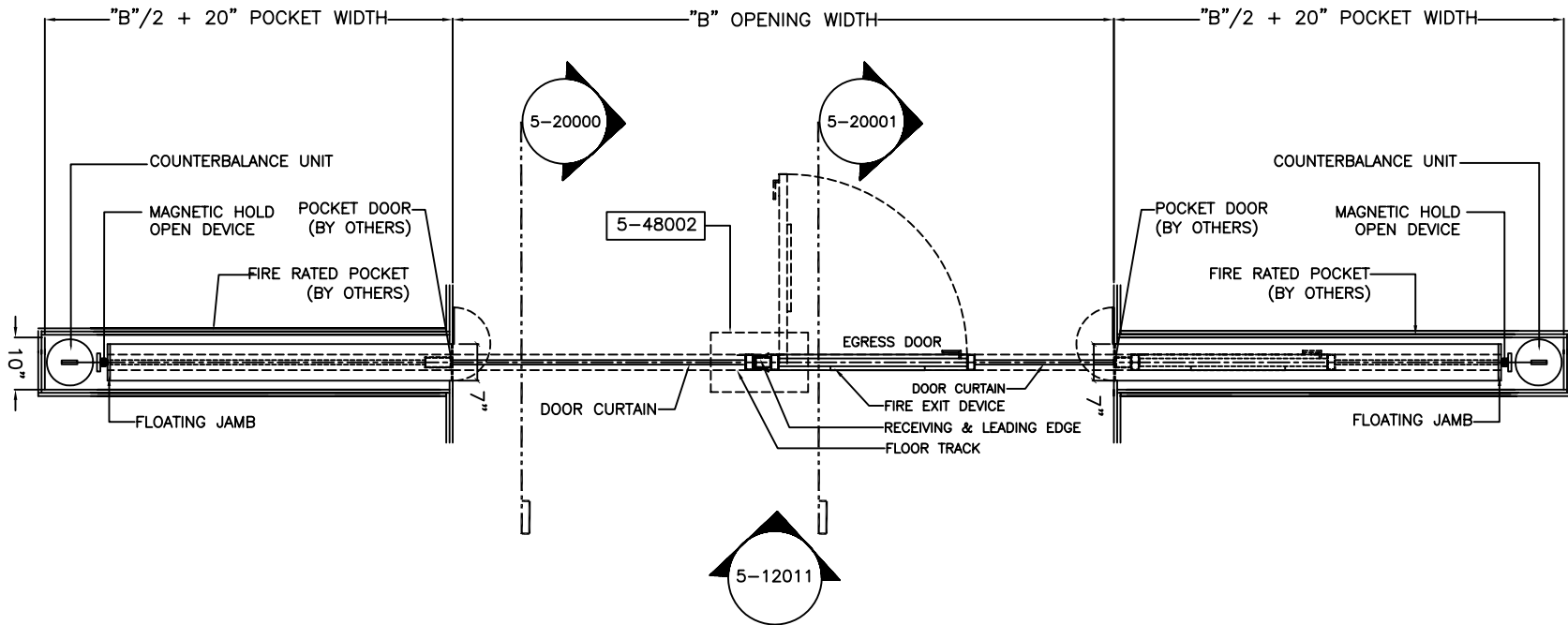


NOTE: EGRESS DOORS MAY SWING IN OPPOSITE AND ALTERNATE DIRECTIONS



BI-PARTING SIDE SLIDING FIRE DOOR MODELS S7200/S7400

5-32011

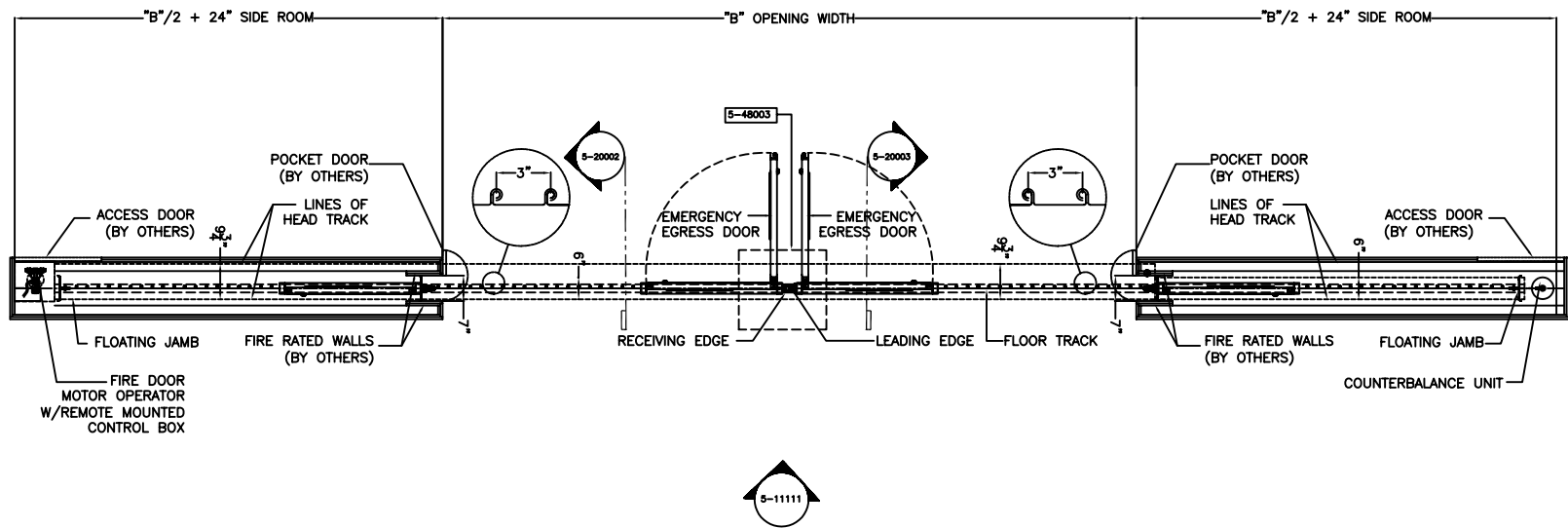


NOTE: EGRESS DOOR MAY SWING IN OPPOSITE DIRECTION



BI-PARTING SIDE SLIDING FIRE DOOR MODELS S7700/S7700

5-32121

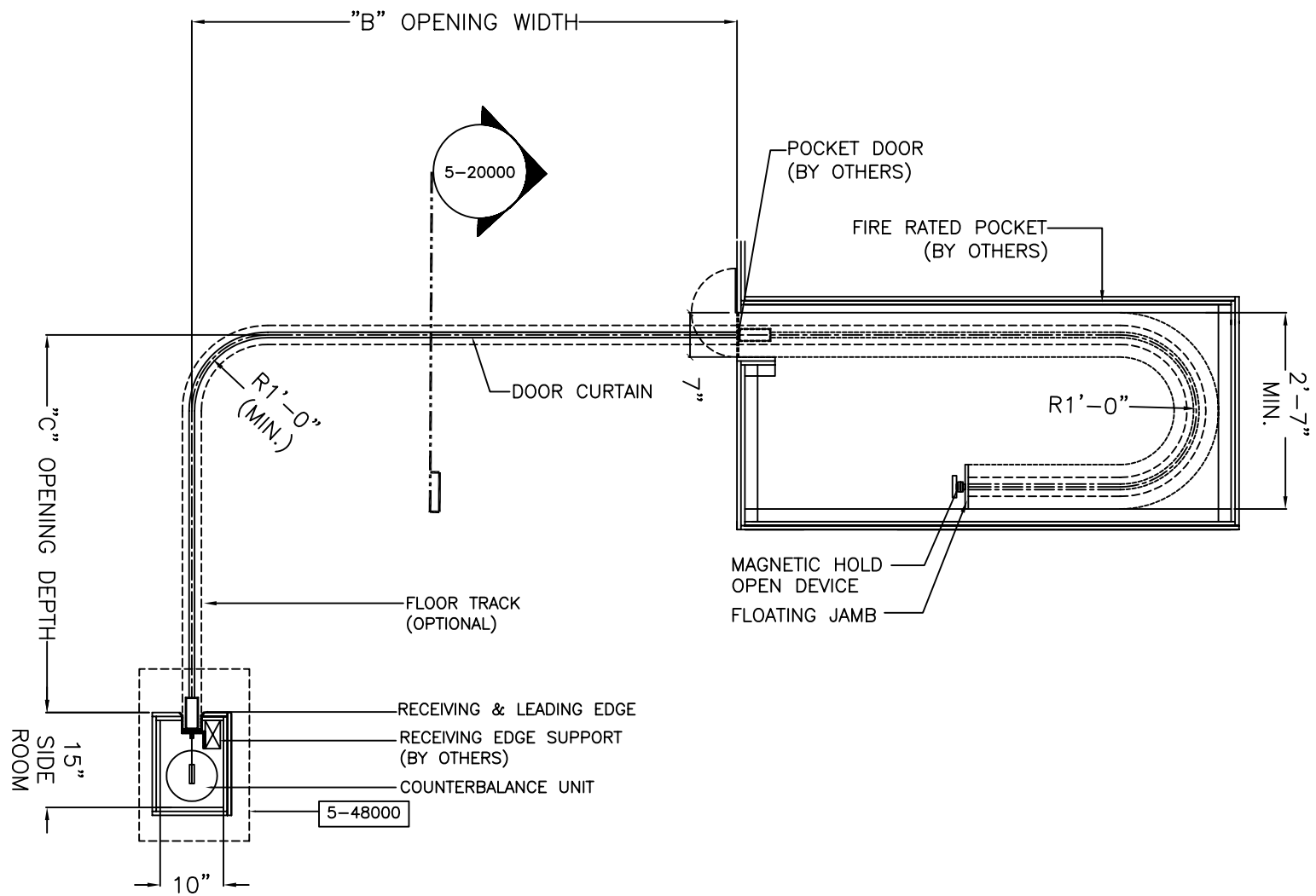


NOTE: EGRESS DOORS MAY SWING IN OPPOSITE AND ALTERNATE DIRECTIONS



SIDE SLIDING FIRE DOOR MODEL S7200

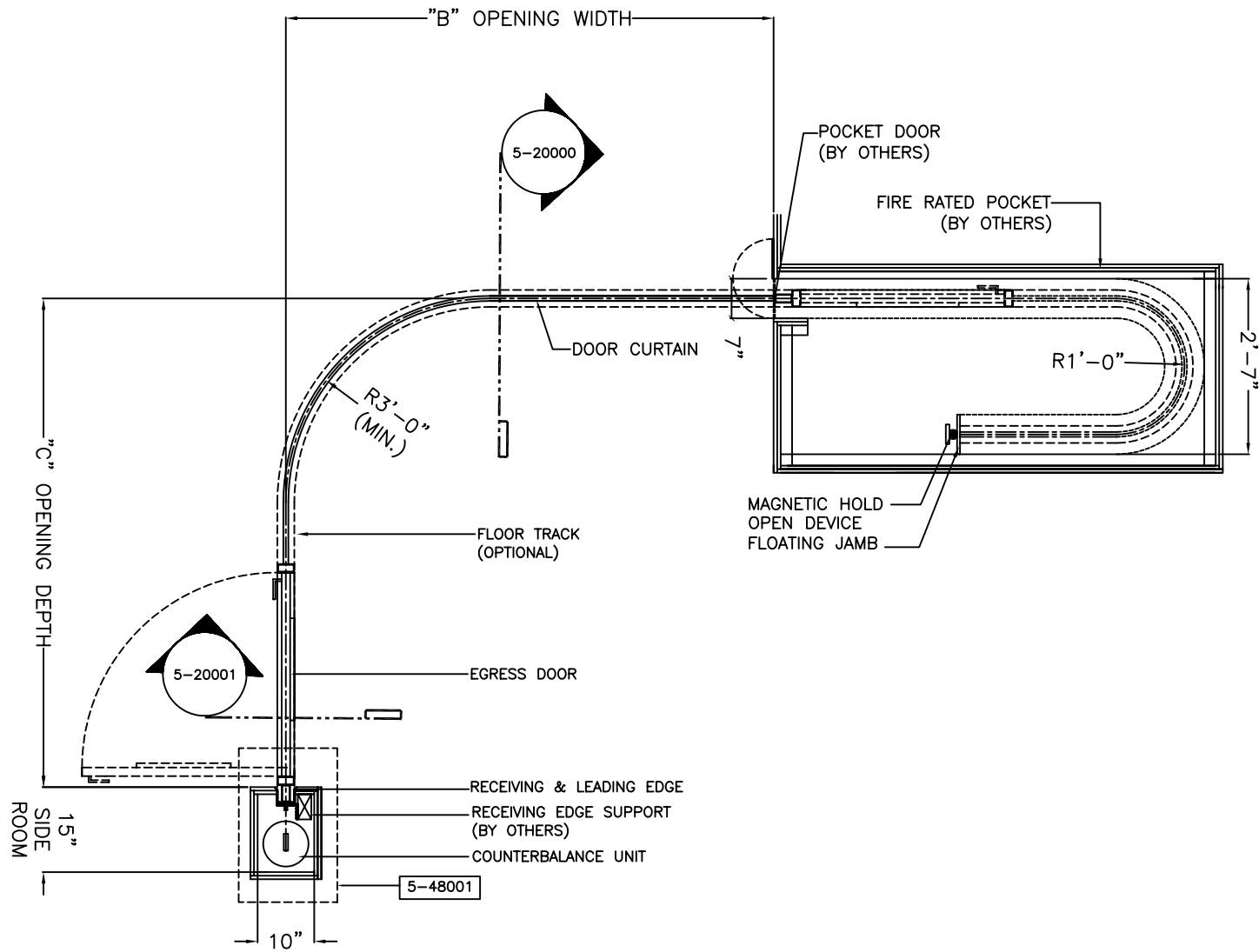
5-33000





SIDE SLIDING FIRE DOOR MODEL S7400

5-33011

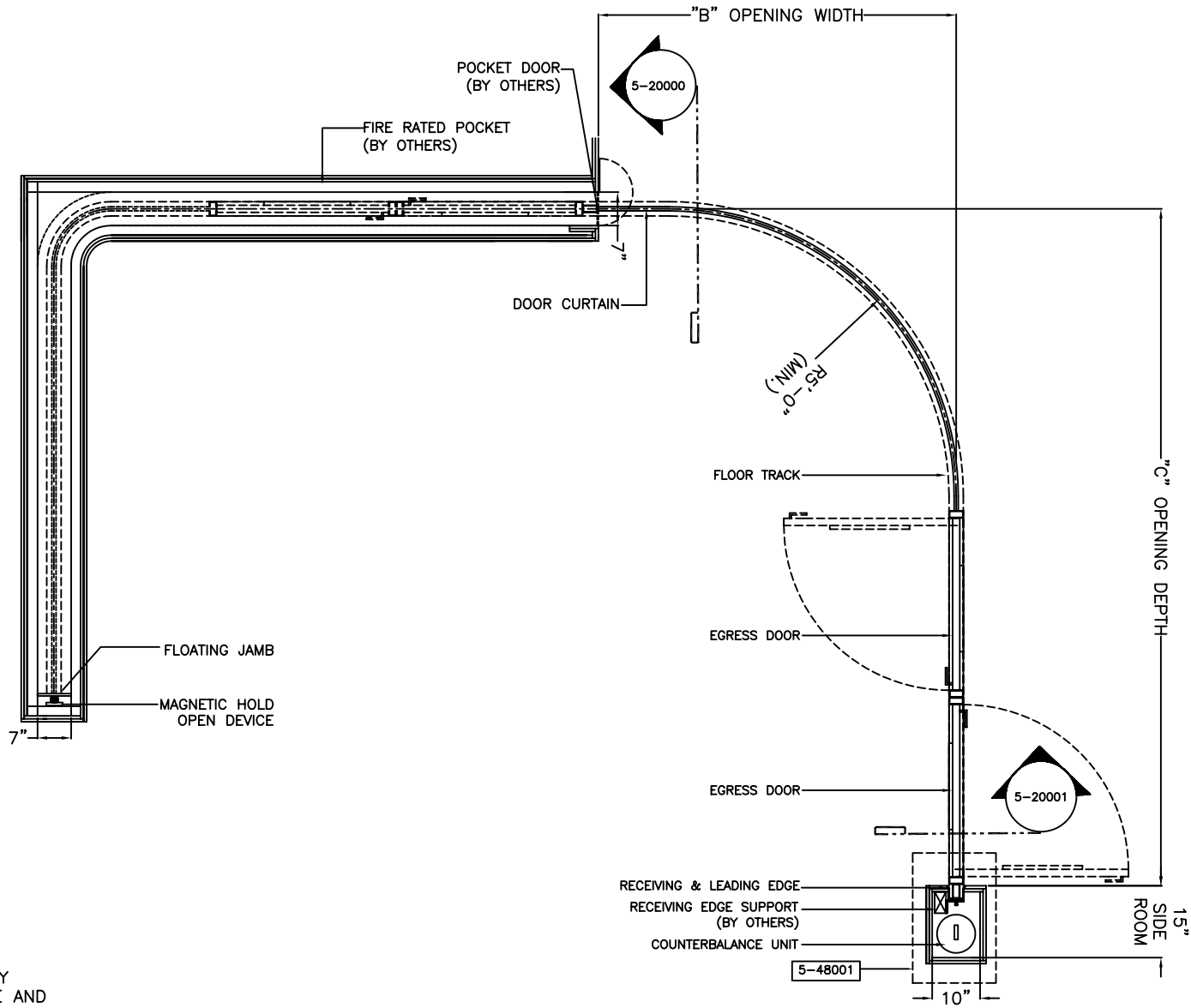


NOTE: EGRESS DOOR MAY SWING IN OPPOSITE DIRECTION



SIDE SLIDING FIRE DOOR MODEL S7500

5-33021

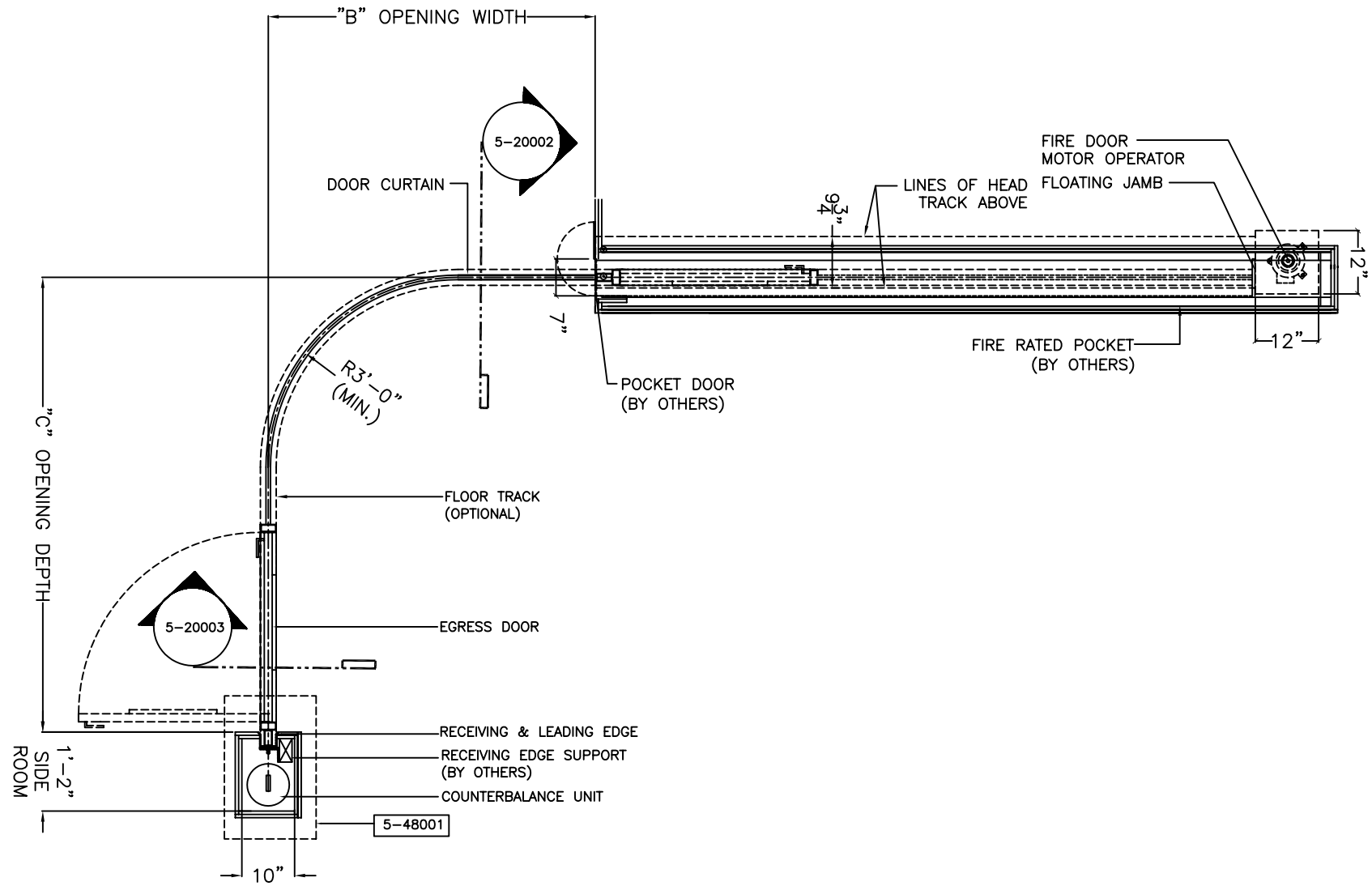


NOTE: EGRESS DOORS MAY SWING IN OPPOSITE AND ALTERNATE DIRECTIONS



SIDE SLIDING FIRE DOOR MODEL S7700

5-33111

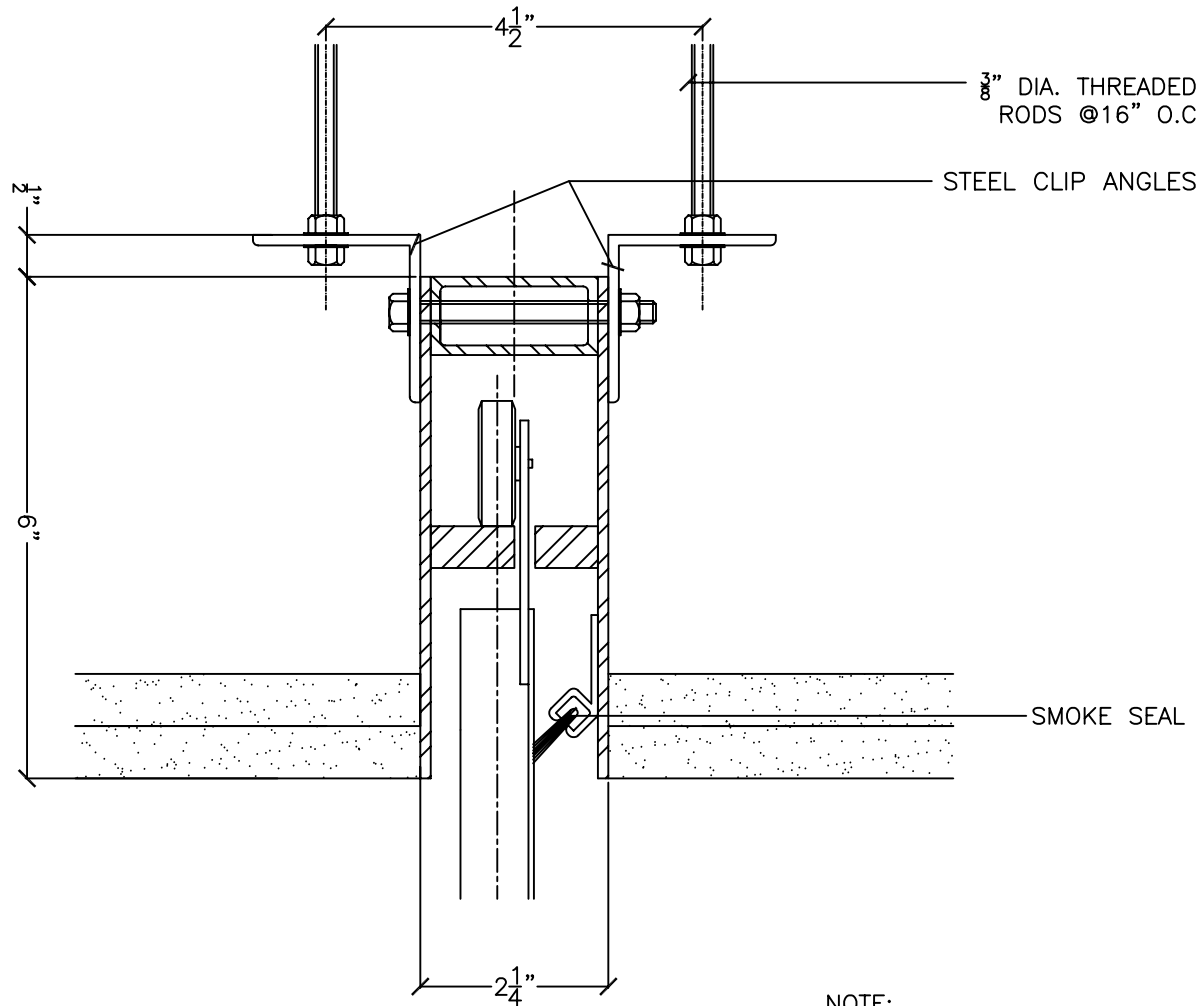


NOTE: EGRESS DOOR MAY SWING IN OPPOSITE DIRECTION



SIDE SLIDING FIRE DOOR MODEL S7200

5-41110

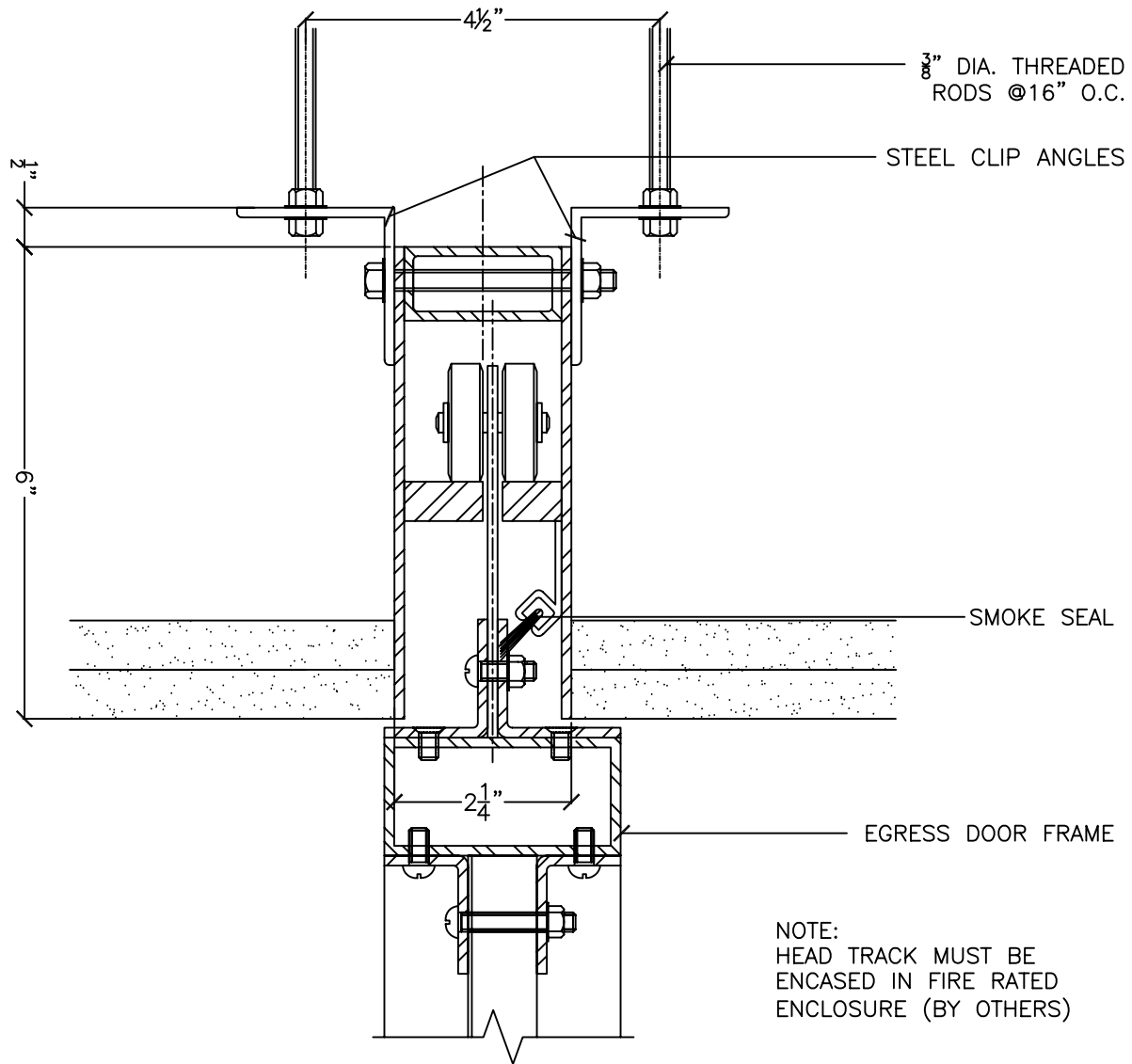


NOTE:
HEAD TRACK MUST BE
ENCASED IN FIRE RATED
ENCLOSURE (BY OTHERS)



SIDE SLIDING FIRE DOOR MODELS S7400/S7500

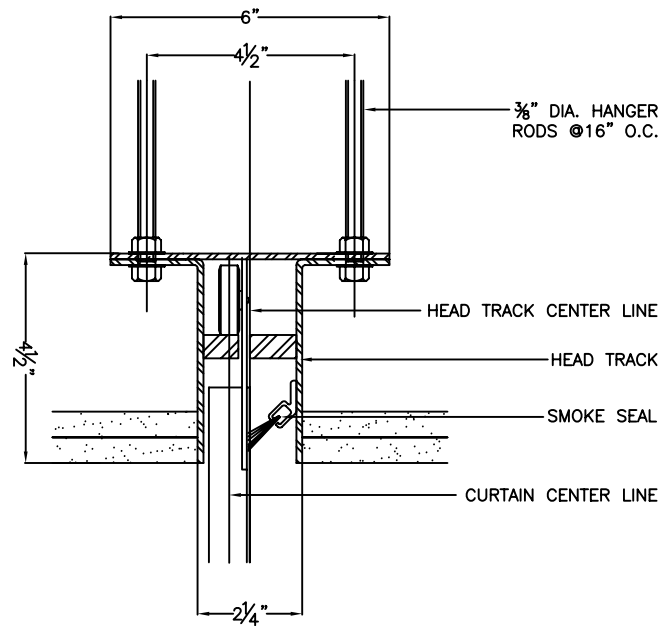
5-41120



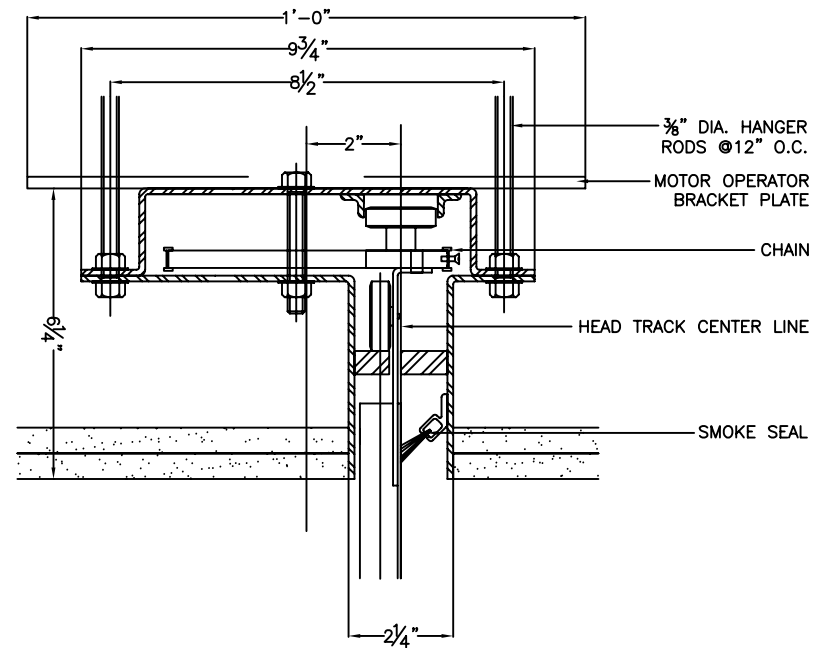


SIDE SLIDING FIRE DOOR MODELS S7600/S7700/S7900

5-41111

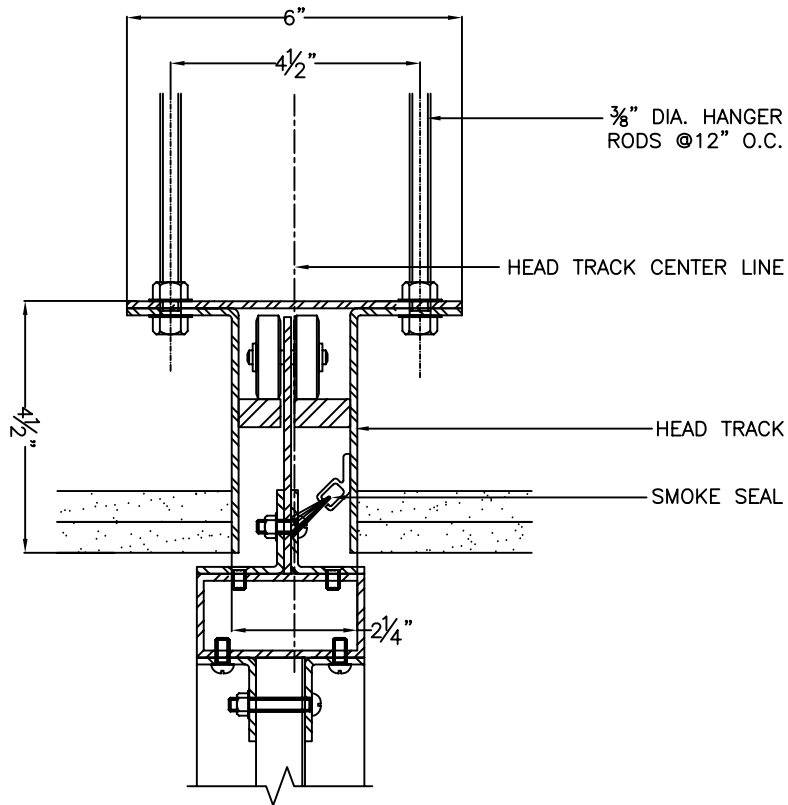


HEAD TRACK

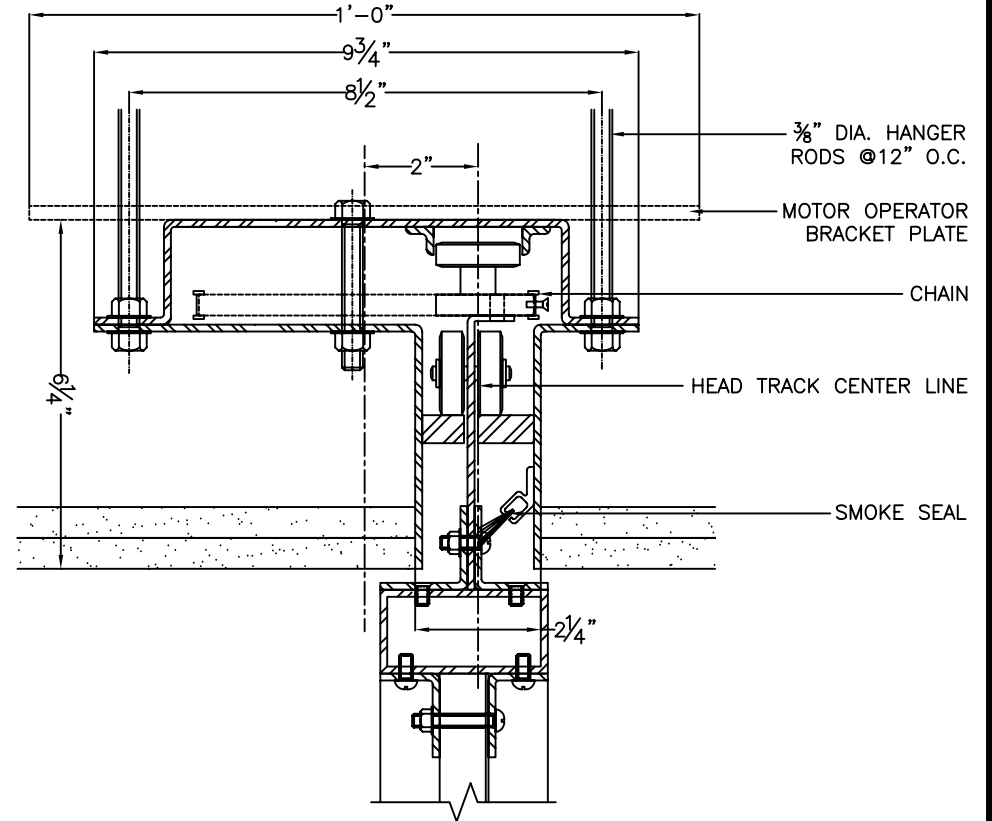


HEAD TRACK
(MOTOR SIDE)

NOTE:
HEAD TRACK MUST BE
ENCASED IN FIRE RATED
ENCLOSURE (BY OTHERS)



HEAD TRACK



HEAD TRACK
(MOTOR SIDE)

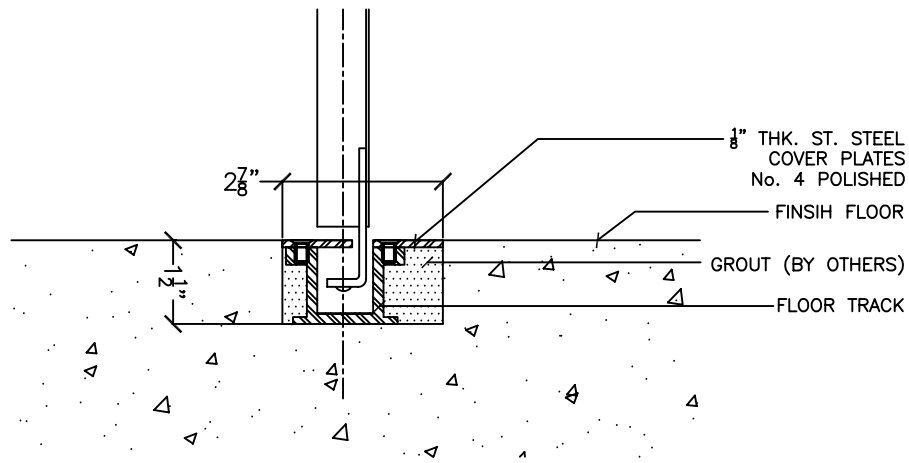
NOTE:
HEAD TRACK MUST BE
ENCASED IN FIRE RATED
ENCLOSURE (BY OTHERS)



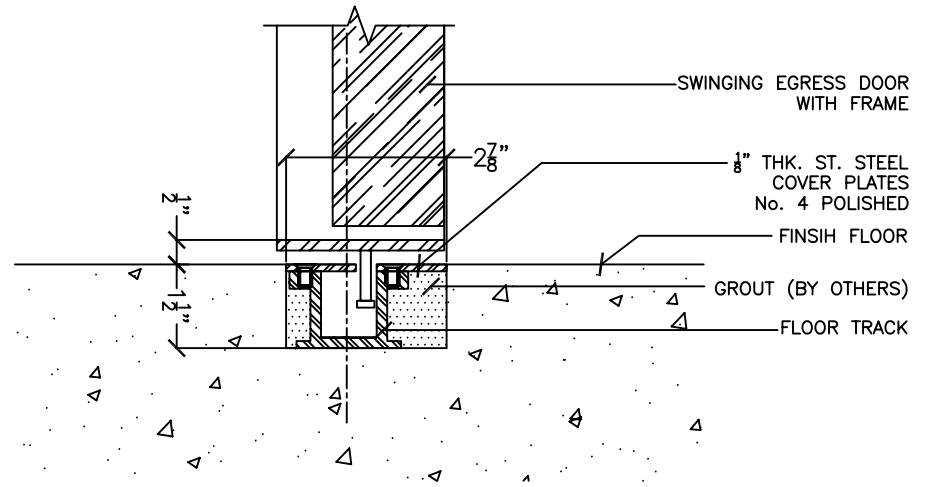
SIDE SLIDING FIRE DOOR MODEL S7000

5-41210

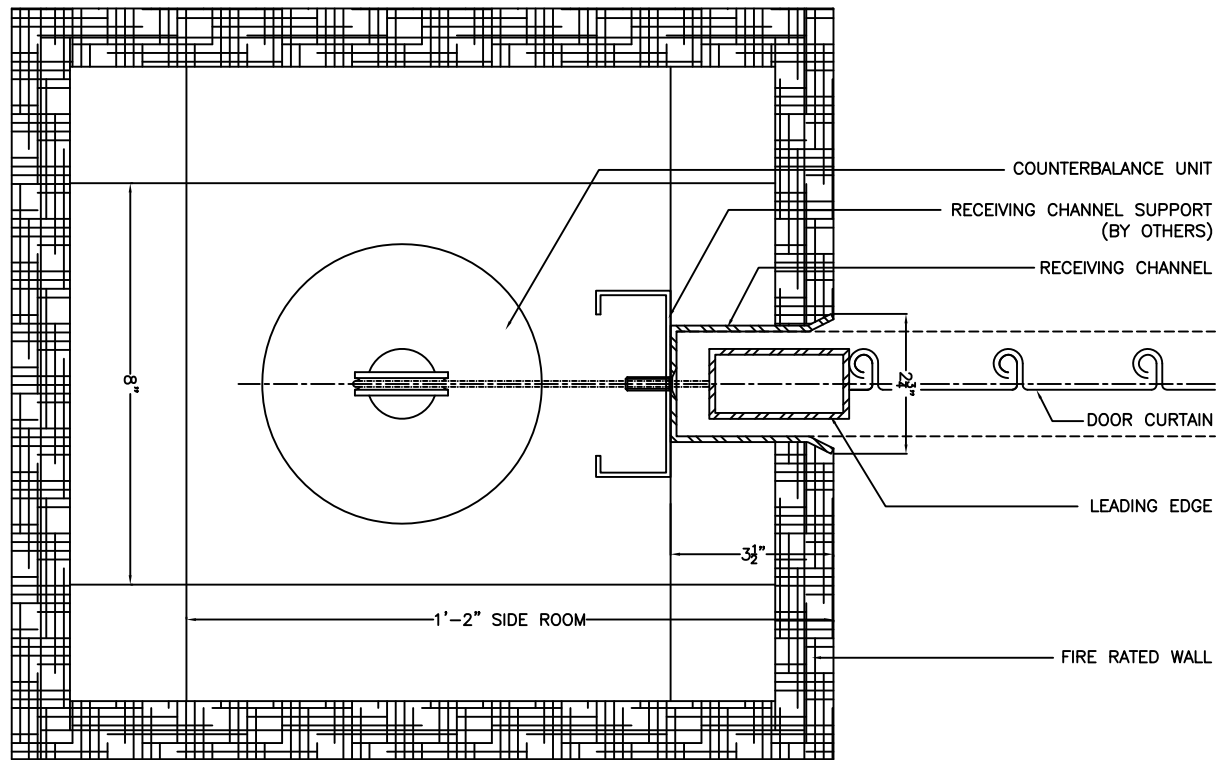
5-41220



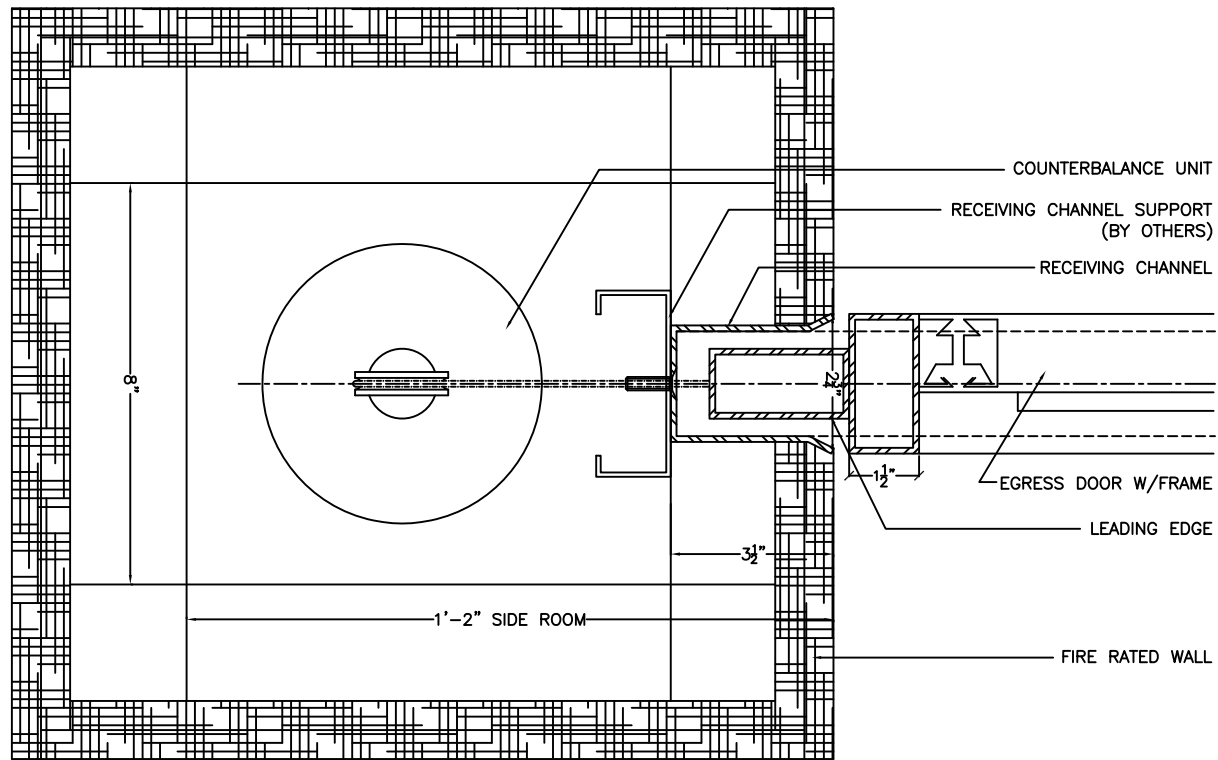
FLOOR TRACK (@CURTAIN)



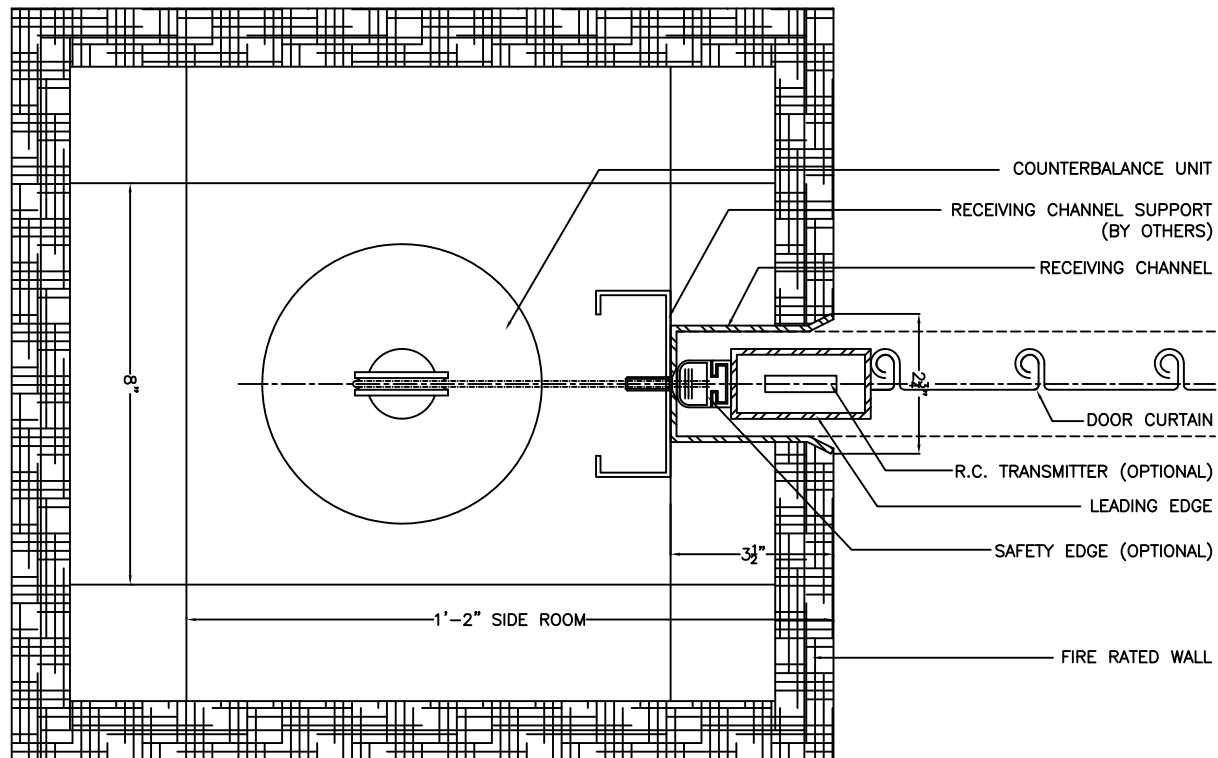
FLOOR TRACK (@EGRESS DOOR)



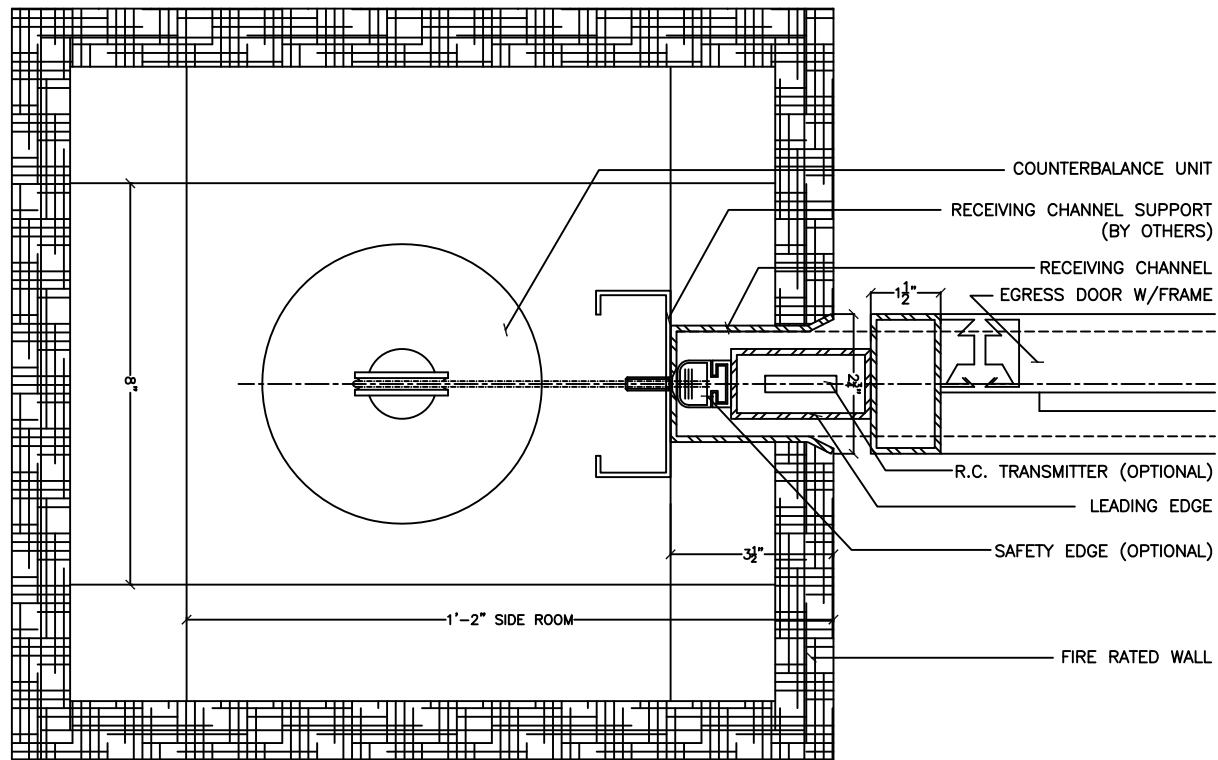
**LEADING EDGE/RECEIVING EDGE DETAIL
SINGLE PARTING**



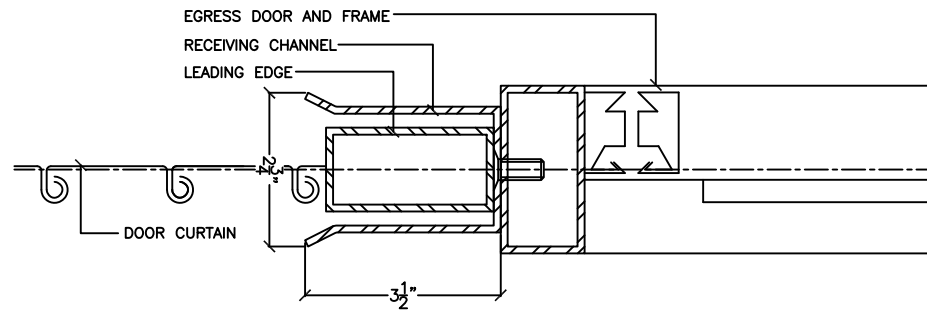
**LEADING EDGE/RECEIVING EDGE DETAIL
SINGLE PARTING**



**LEADING EDGE/RECEIVING EDGE DETAIL
SINGLE PARTING**



**LEADING EDGE/RECEIVING EDGE DETAIL
SINGLE PARTING**



LEADING EDGE/RECEIVING EDGE DETAIL
BI-PARTING