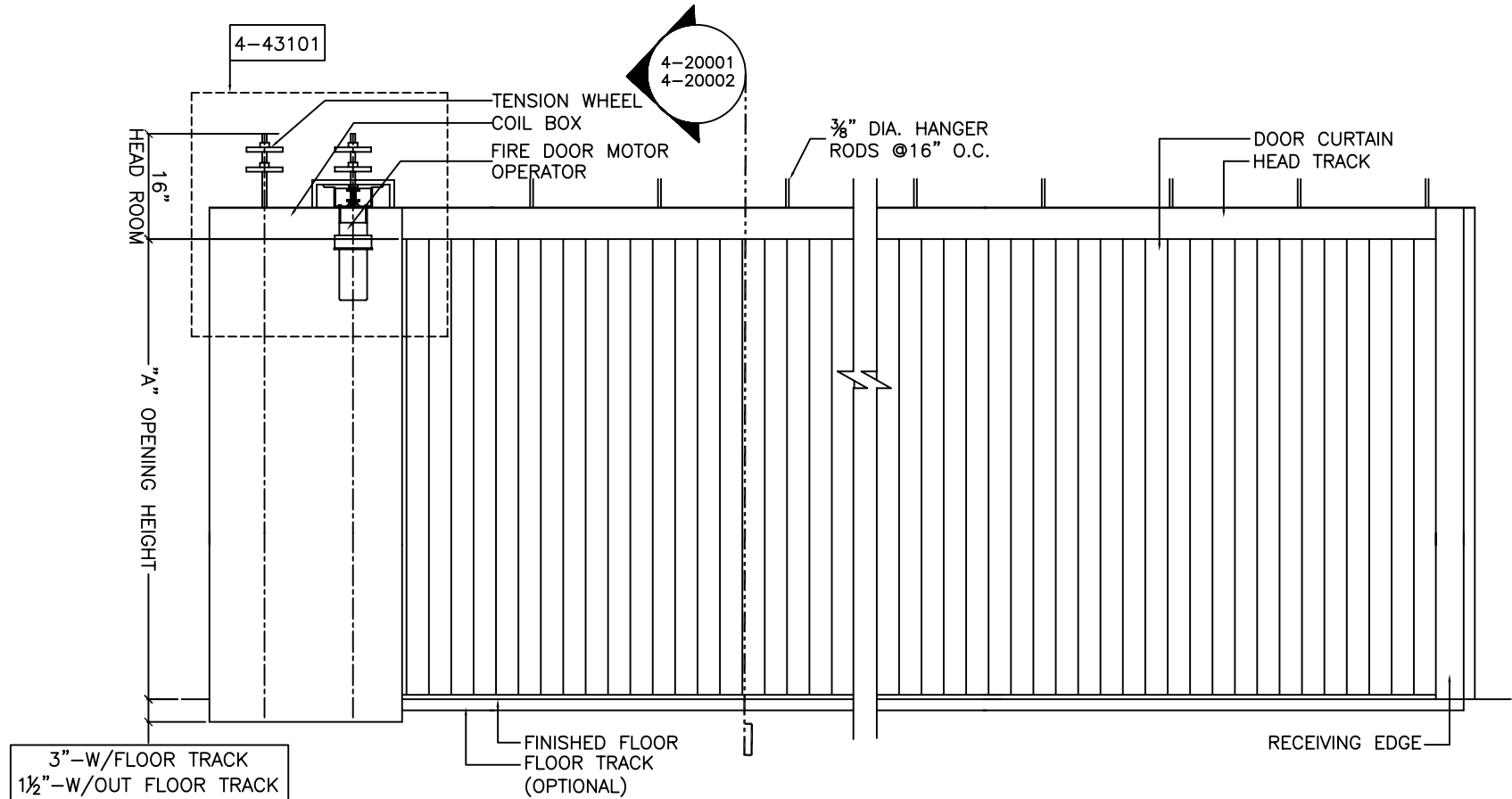




# SIDE COILING FIRE DOOR MODEL S4000

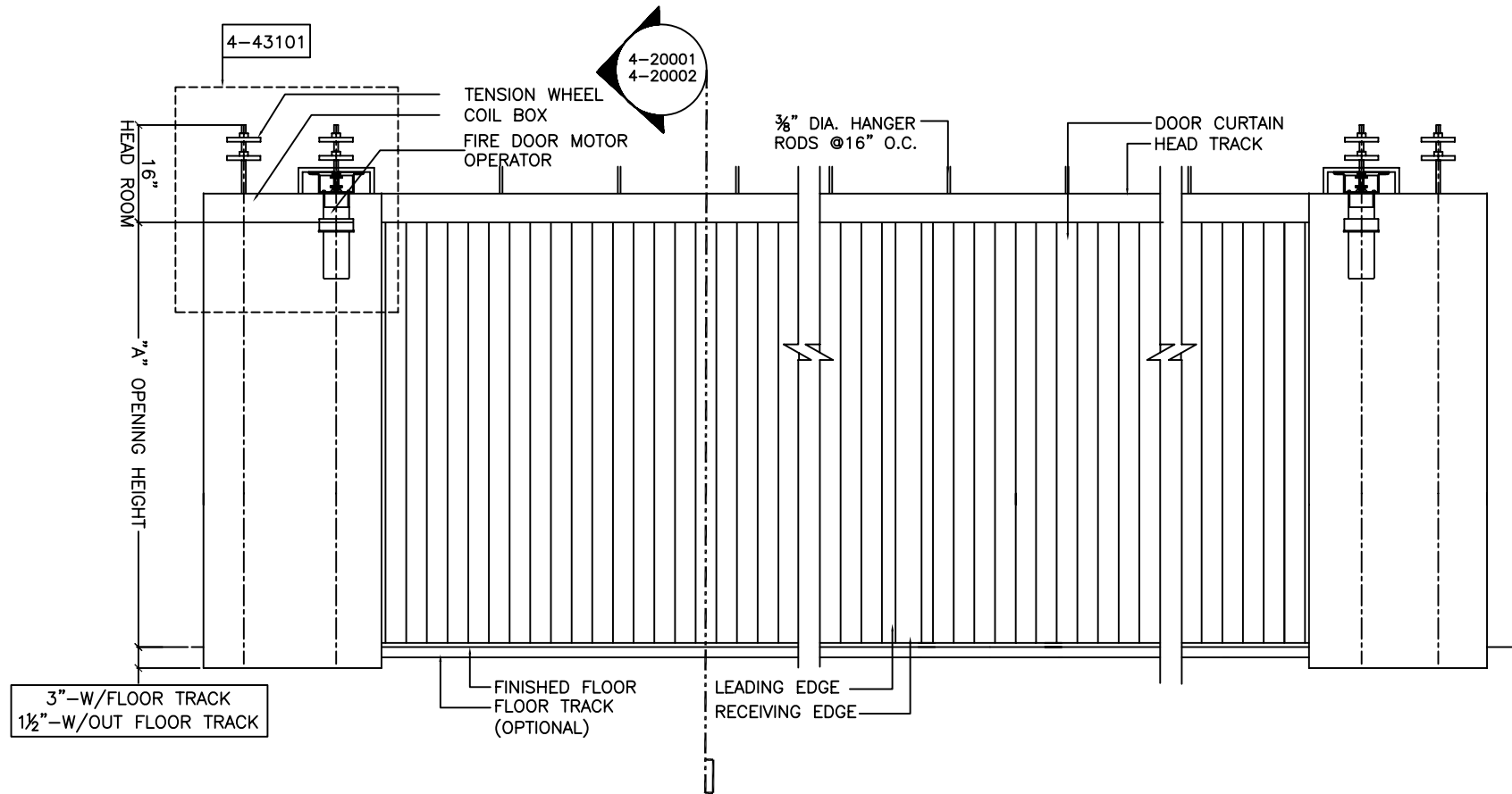
4-10111





# BI-PARTING SIDE COILING FIRE DOOR MODEL S4000

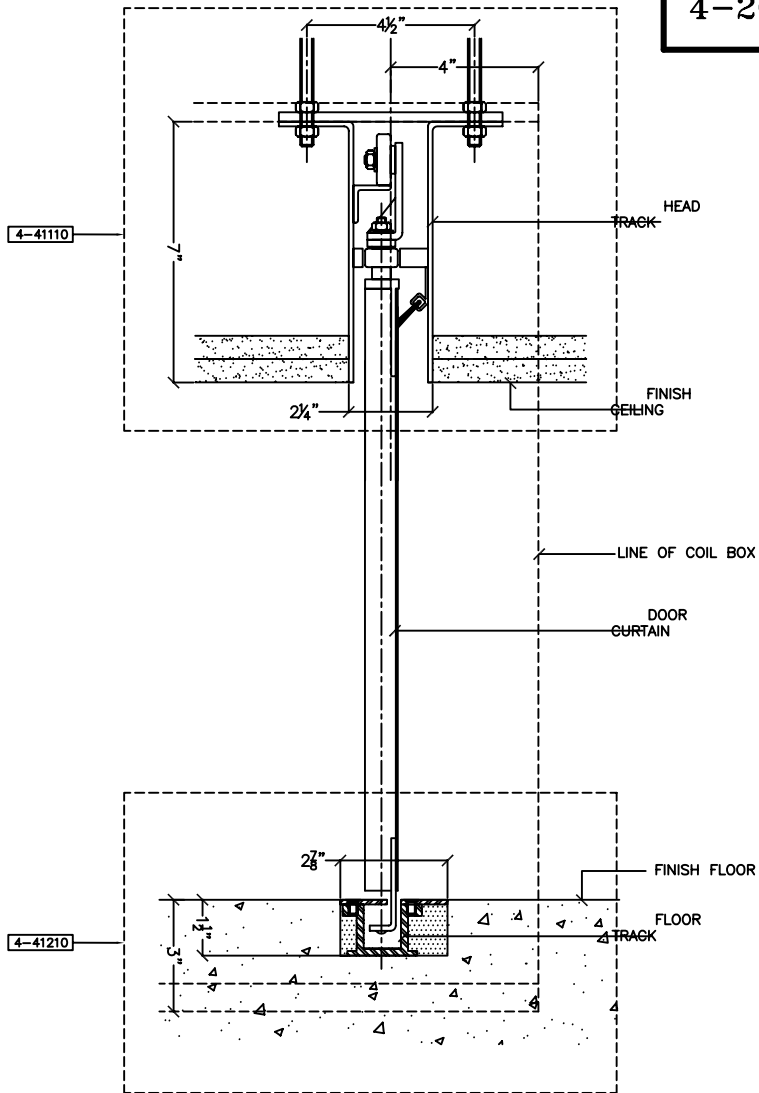
4-10121





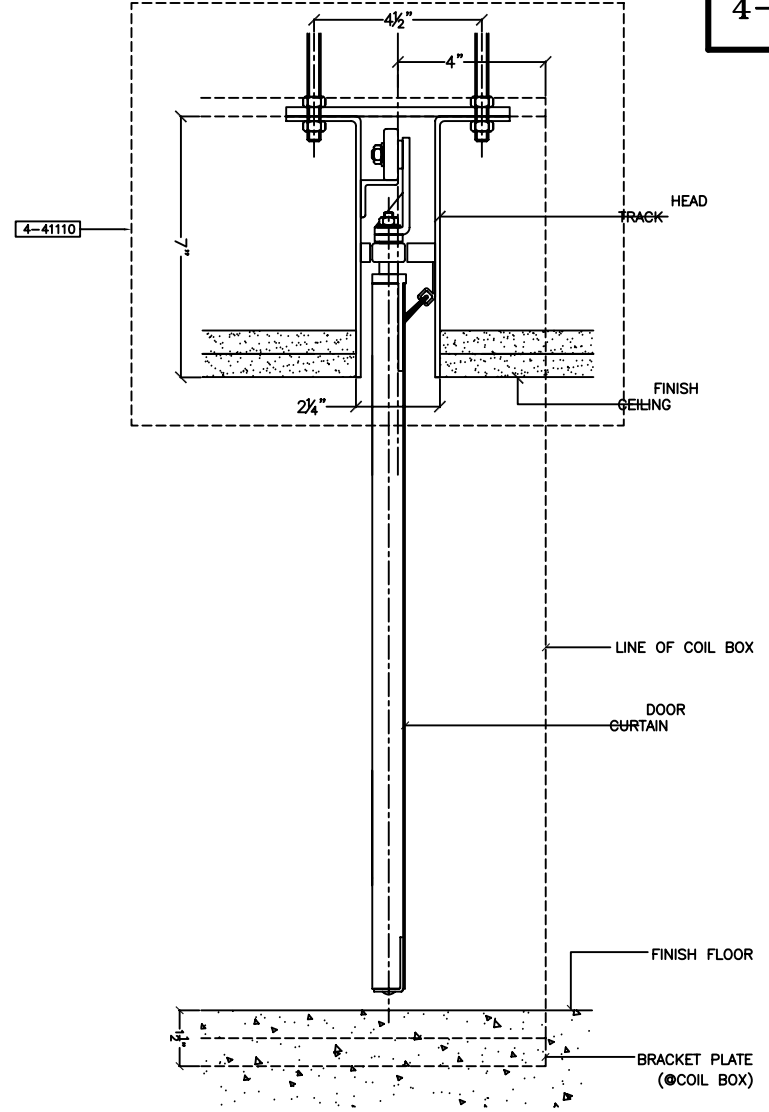
SIDE COILING FIRE DOOR MODEL S4000

4-20001



SECTION WITH FLOOR TRACK

4-20002

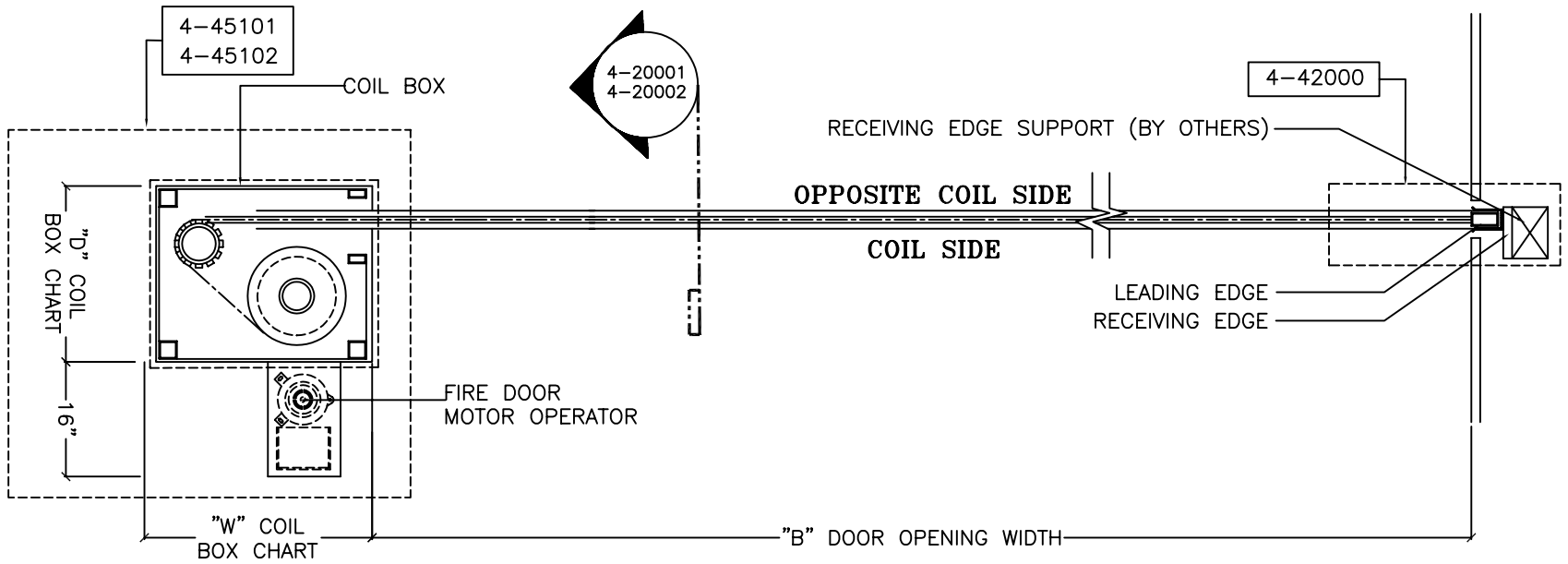


SECTION WITHOUT FLOOR TRACK



# SIDE COILING FIRE DOOR MODEL S4000

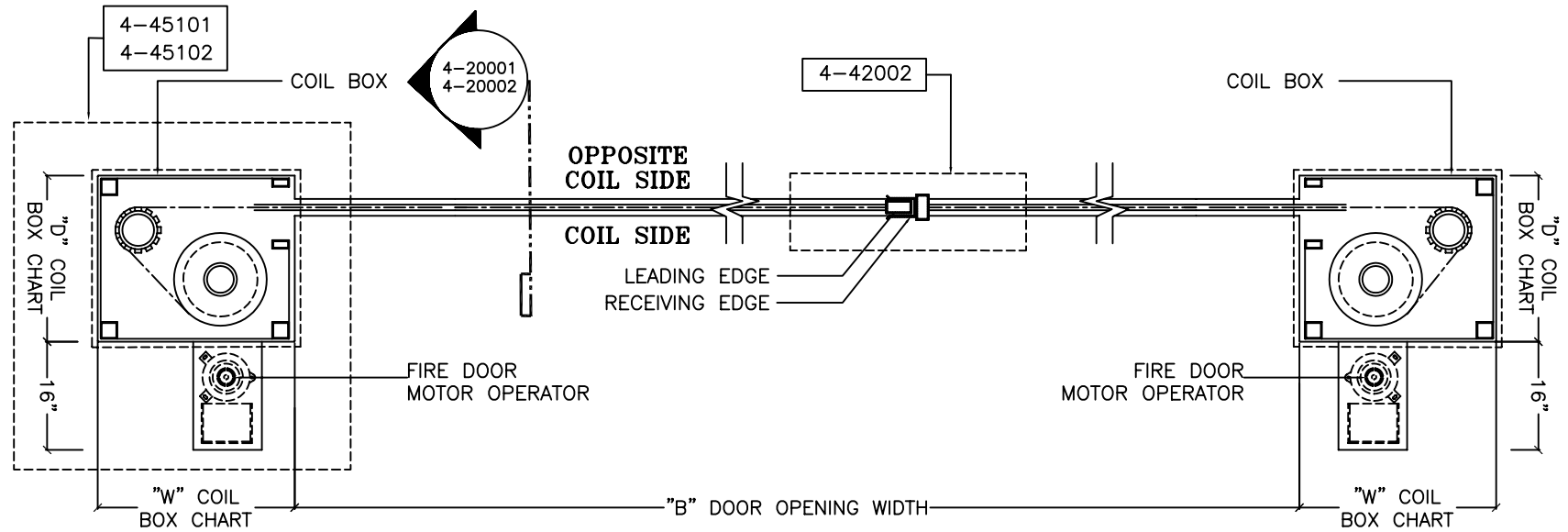
4-30111





# BI-PARTING SIDE COILING FIRE DOOR MODEL S4000

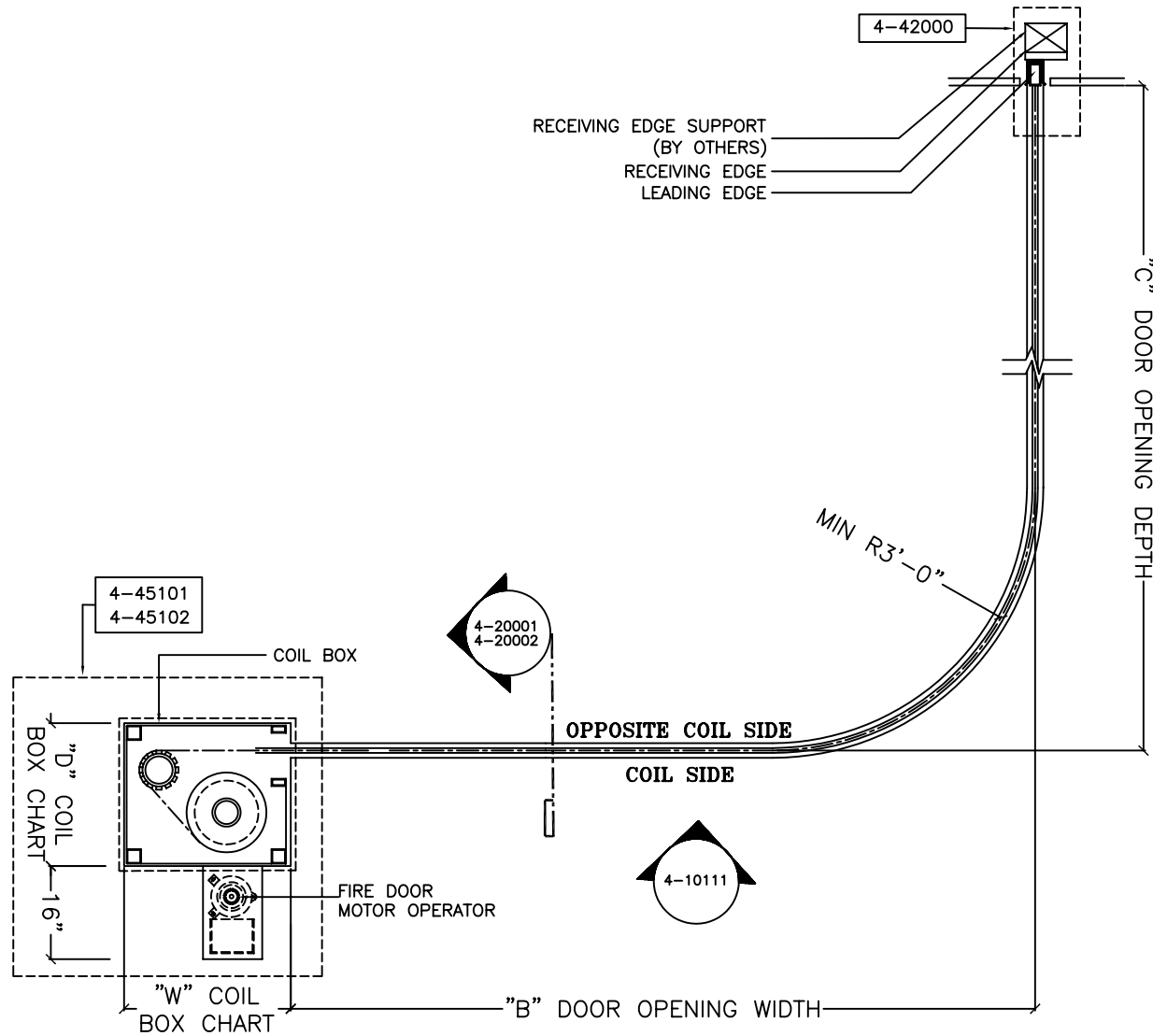
4-30121





# SIDE COILING FIRE DOOR MODEL S4000

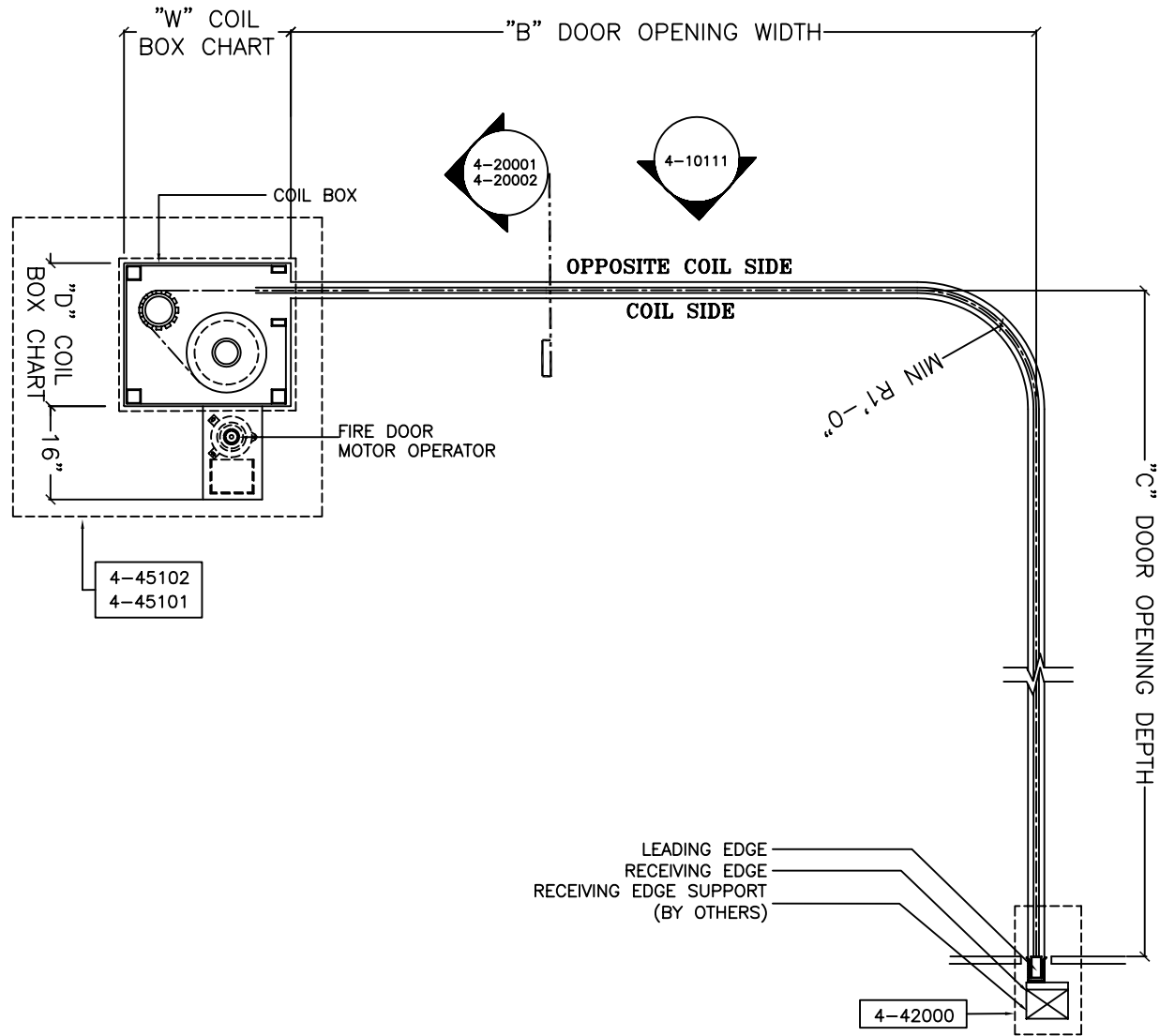
4-30511





# SIDE COILING FIRE DOOR MODEL S4000

4-30611

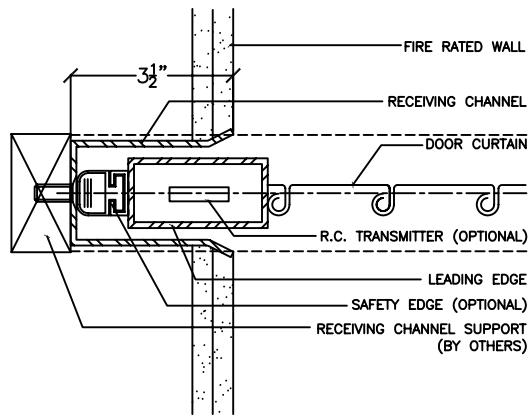




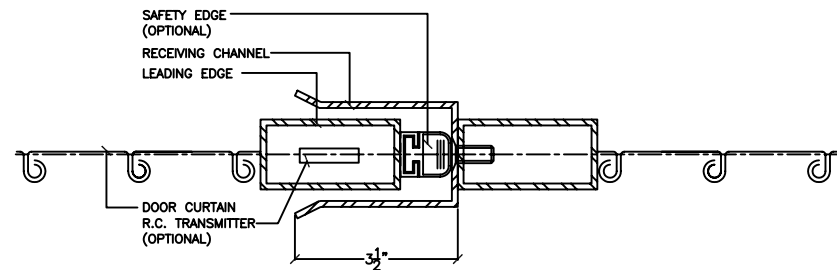
# SIDE COILING FIRE DOOR MODEL S4000

4-42000

4-42001



**LEADING EDGE/RECEIVING EDGE DETAIL  
SINGLE PARTING**



**LEADING EDGE/RECEIVING EDGE DETAIL  
BI-PARTING**

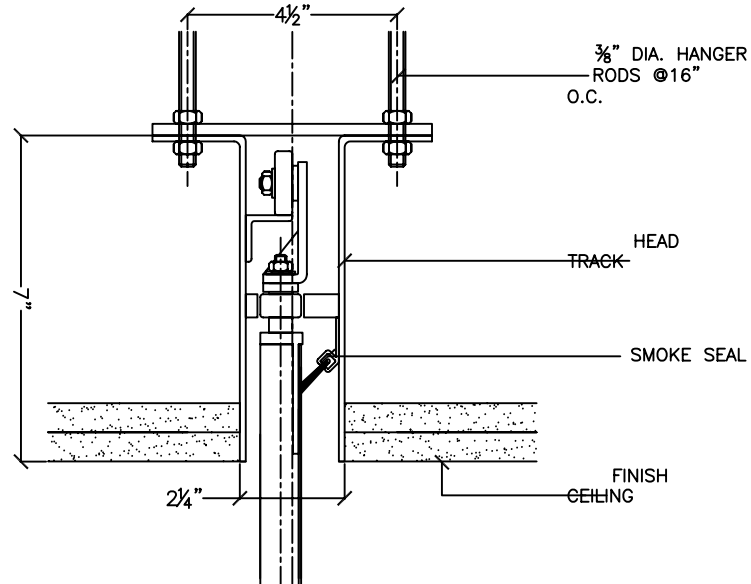




# SIDE COILING FIRE DOOR MODEL S4000

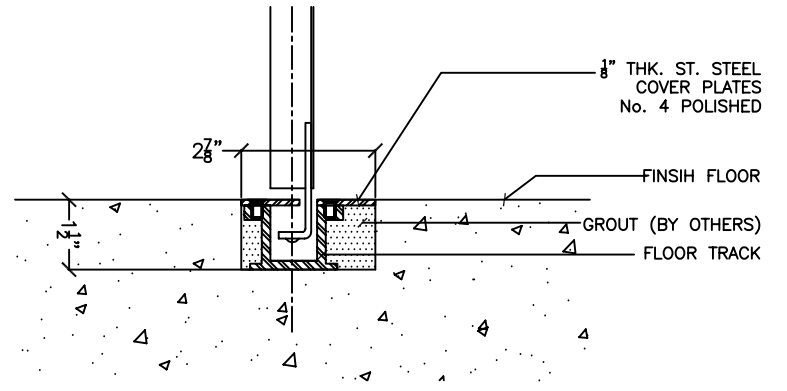
4-44010

4-44020



NOTE:  
HEAD TRACK MUST BE  
ENCASED IN FIRE RATED  
ENCLOSURE (BY OTHERS)

**HEAD TRACK**



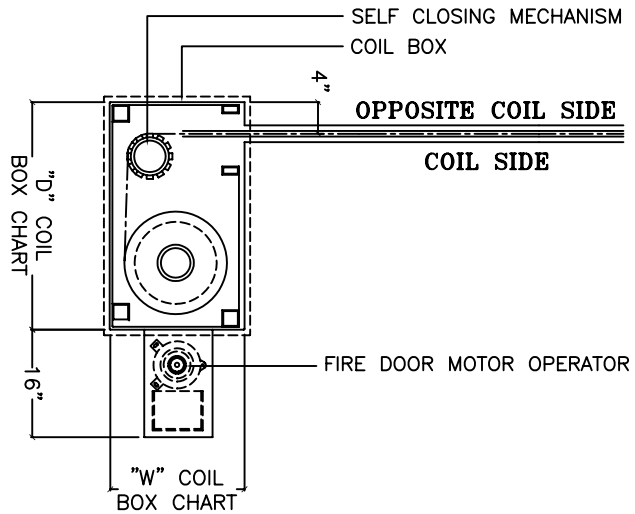
**FLOOR TRACK (OPTIONAL)**



# SIDE COILING FIRE DOOR MODEL S4000

**NOTE:**  
FOR ADDITIONAL MOTOR LOCATION  
OPTIONS REFER TO COIL BOX  
SELECTION CHART

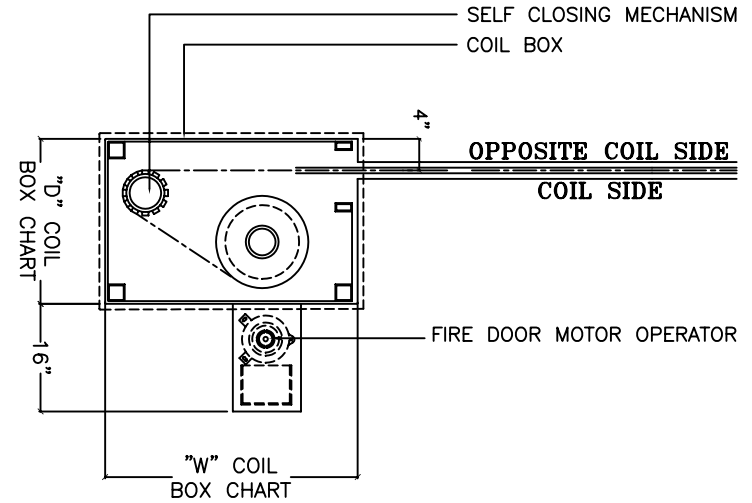
4-45101



COIL BOX TYPE "A"

**NOTE:**  
FOR ADDITIONAL MOTOR LOCATION  
OPTIONS REFER TO COIL BOX  
SELECTION CHART

4-45102

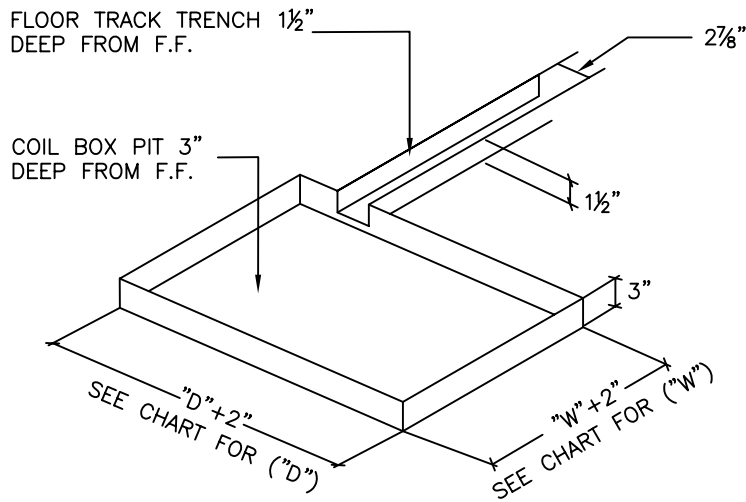


COIL BOX TYPE "B"



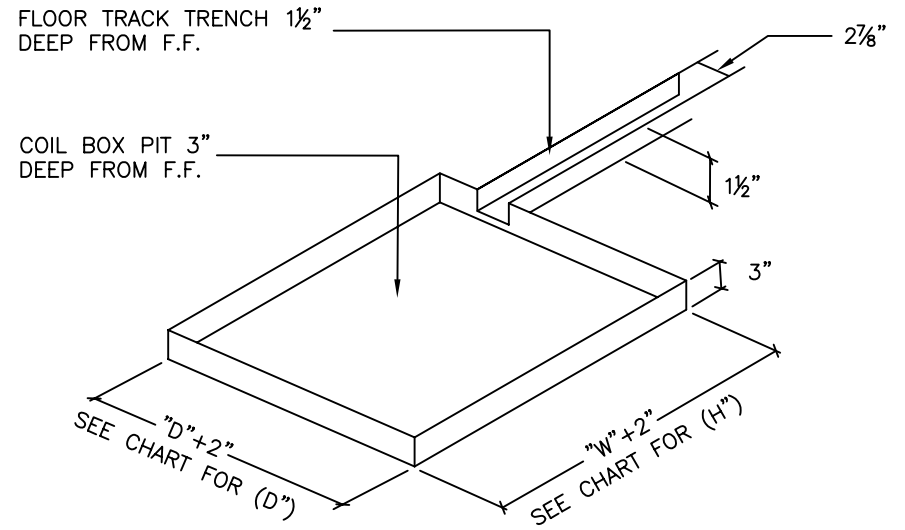
# SIDE COILING FIRE DOOR MODEL S4000

4-46101



**COIL BOX PIT TYPE "A" - WITH FLOOR TRACK**

4-46102

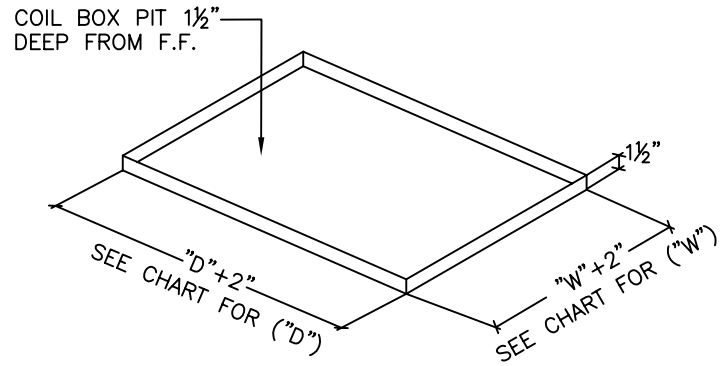


**COIL BOX PIT TYPE "B" - WITH FLOOR TRACK**



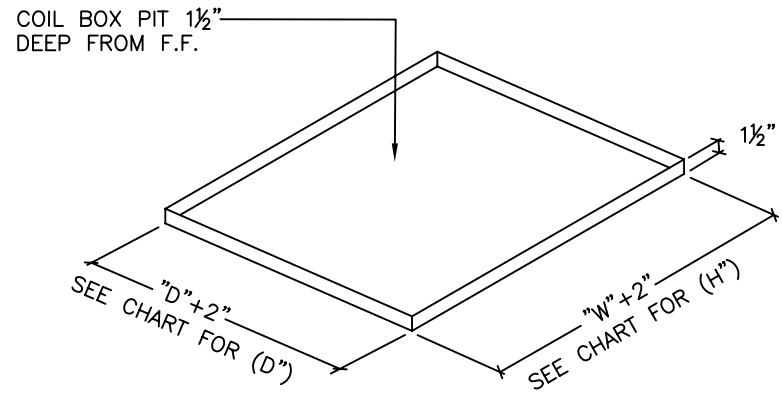
# SIDE COILING FIRE DOOR MODEL S4000

4-46111

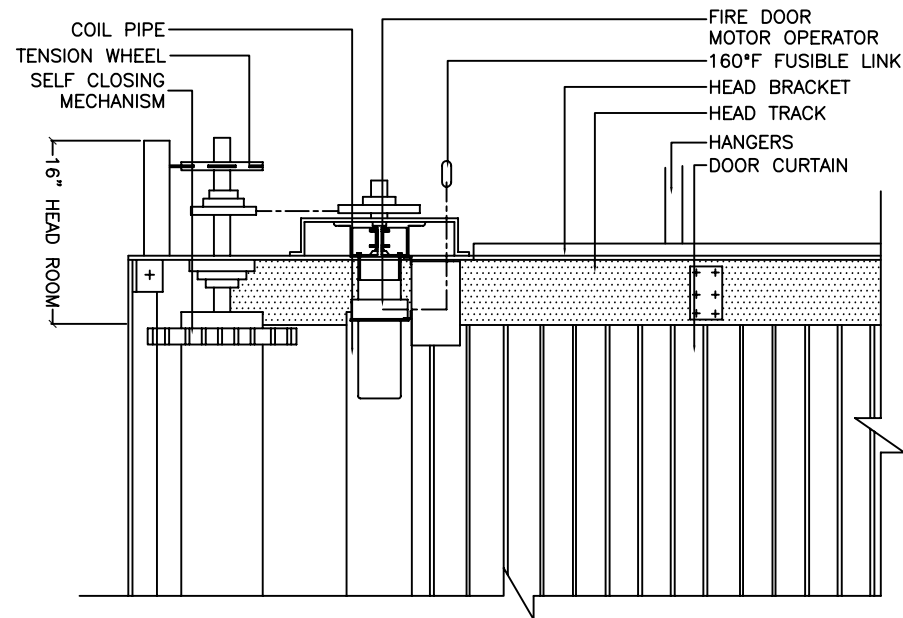


**COIL BOX PIT TYPE "A" - WITHOUT FLOOR TRACK**

4-46112

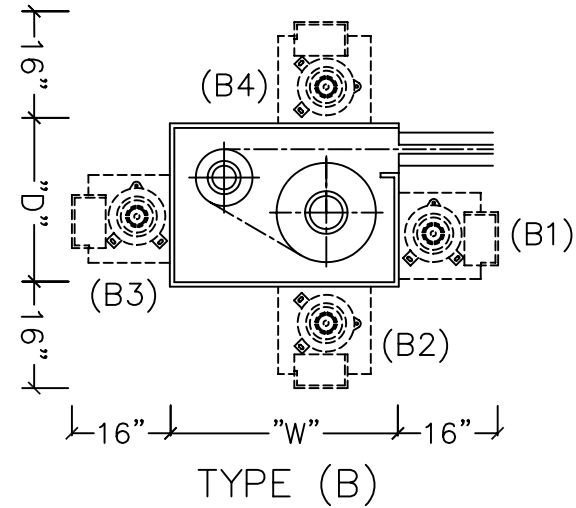
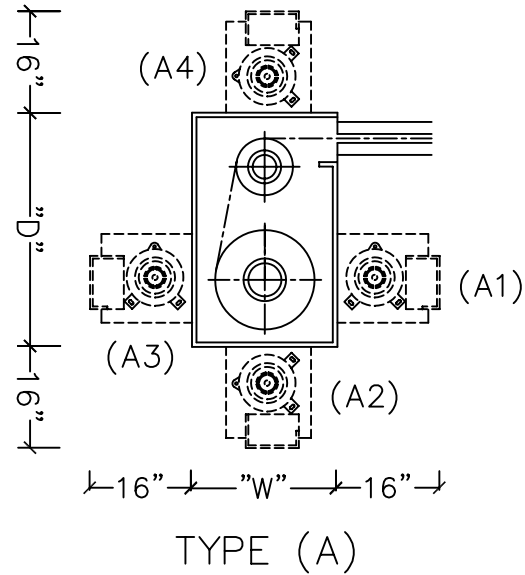


**COIL BOX PIT TYPE "B" - WITHOUT FLOOR TRACK**



NOTE:

- (A) FUSIBLE LINK IS NOT REQUIRED IF UNIT IS CONNECTED TO HEAT OR SMOKE DETECTOR.
- (B) FOR LOWER HEADROOM REQUIREMENTS, CONSULT FACTORY



DOOR LENGTH		TYPE (A)		TYPE (B)	
FROM	TO	W	D	W	D
--	14'-0"	18"	34"	30"	27"
14'-1"	28'-0"	25"	48"	46"	35"
28'-1"	44'-0"	30"	58"	56"	40"

**NOTE:**  
FOR DOORS WIDER THAN 44'-0",  
CONSULT FACTORY FOR SIZES.