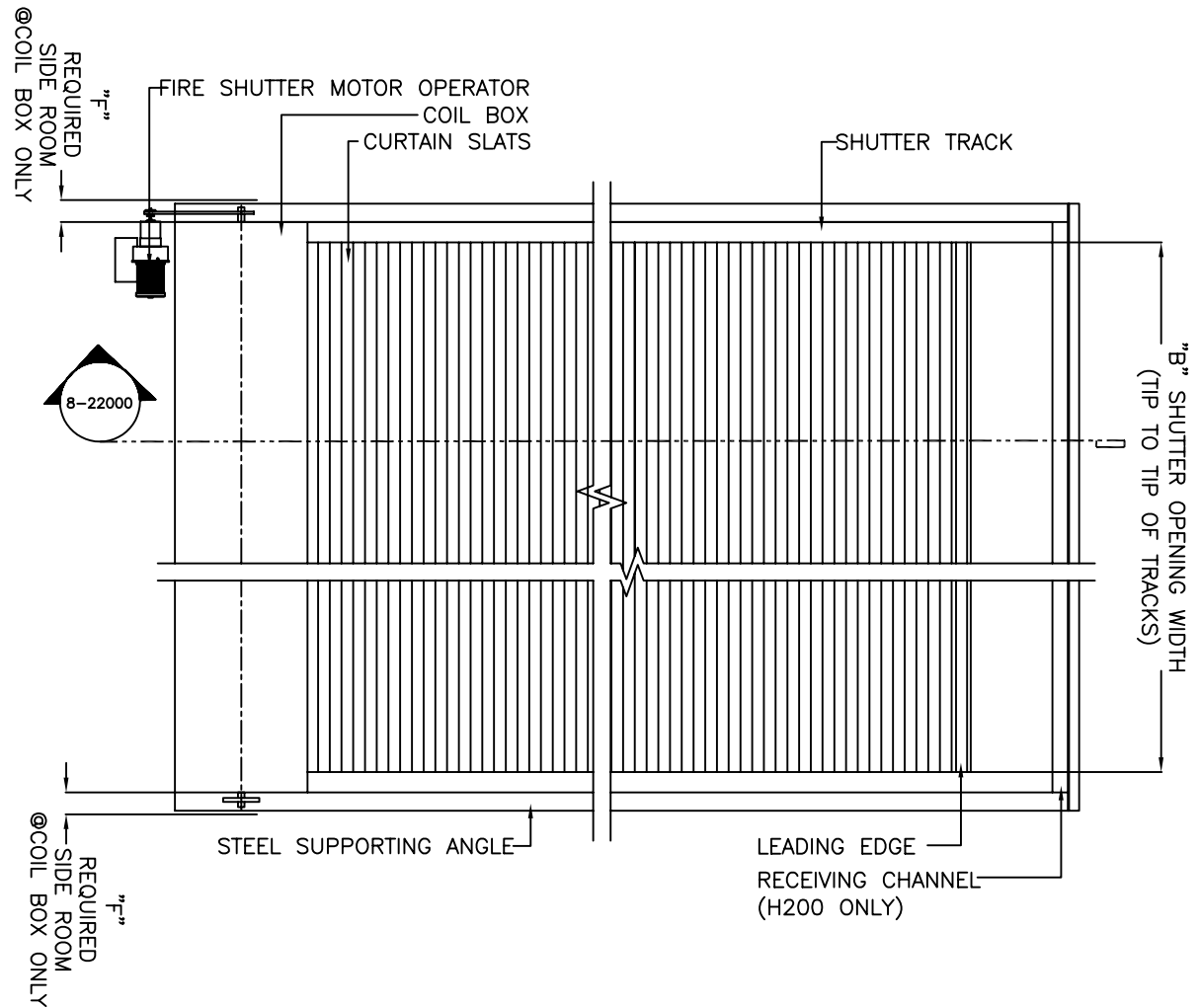




HORIZONTAL FIRE SHUTTER MODELS H200/HL250

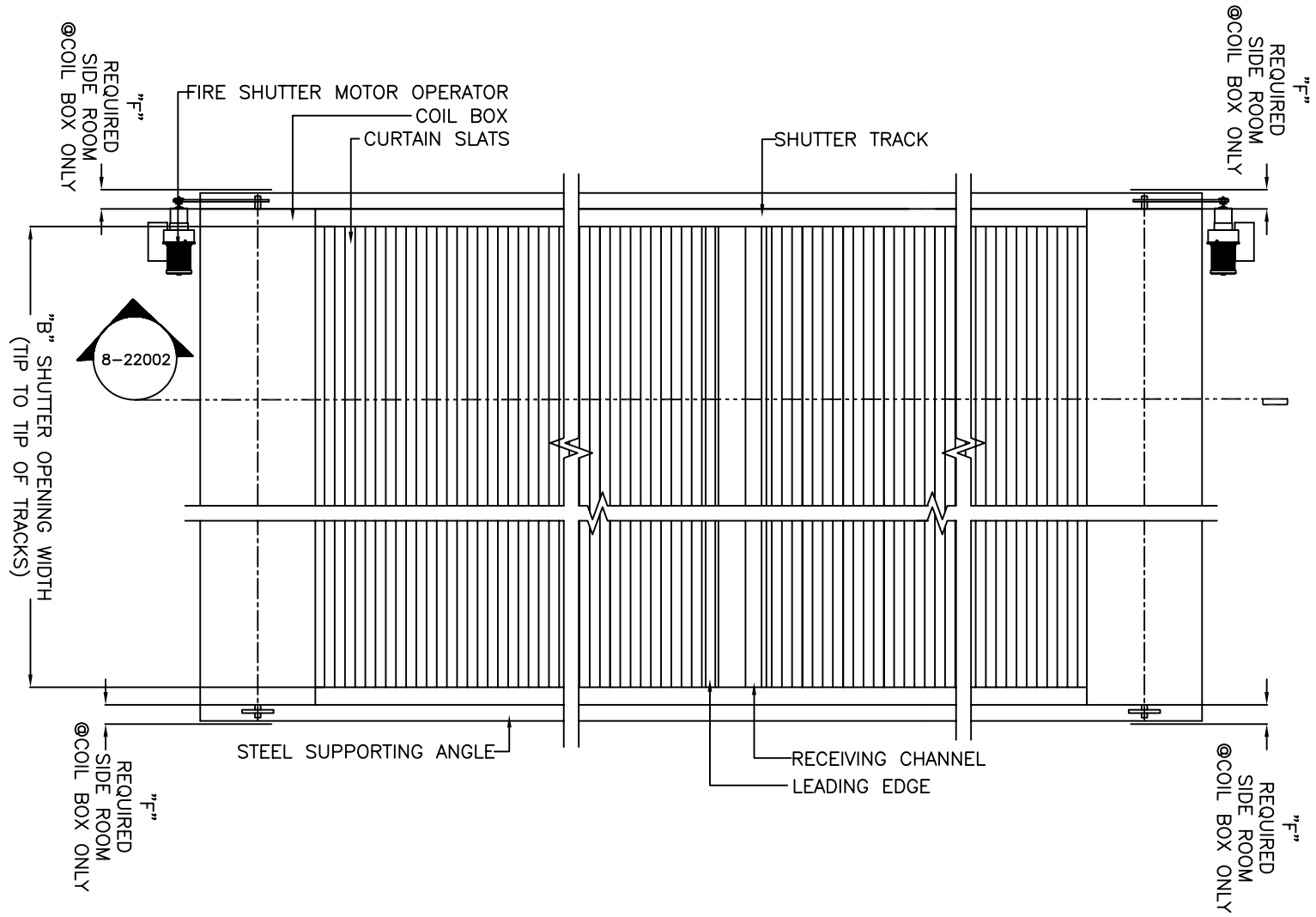
8-31000





BI-PARTING HORIZONTAL FIRE SHUTTER MODEL H200

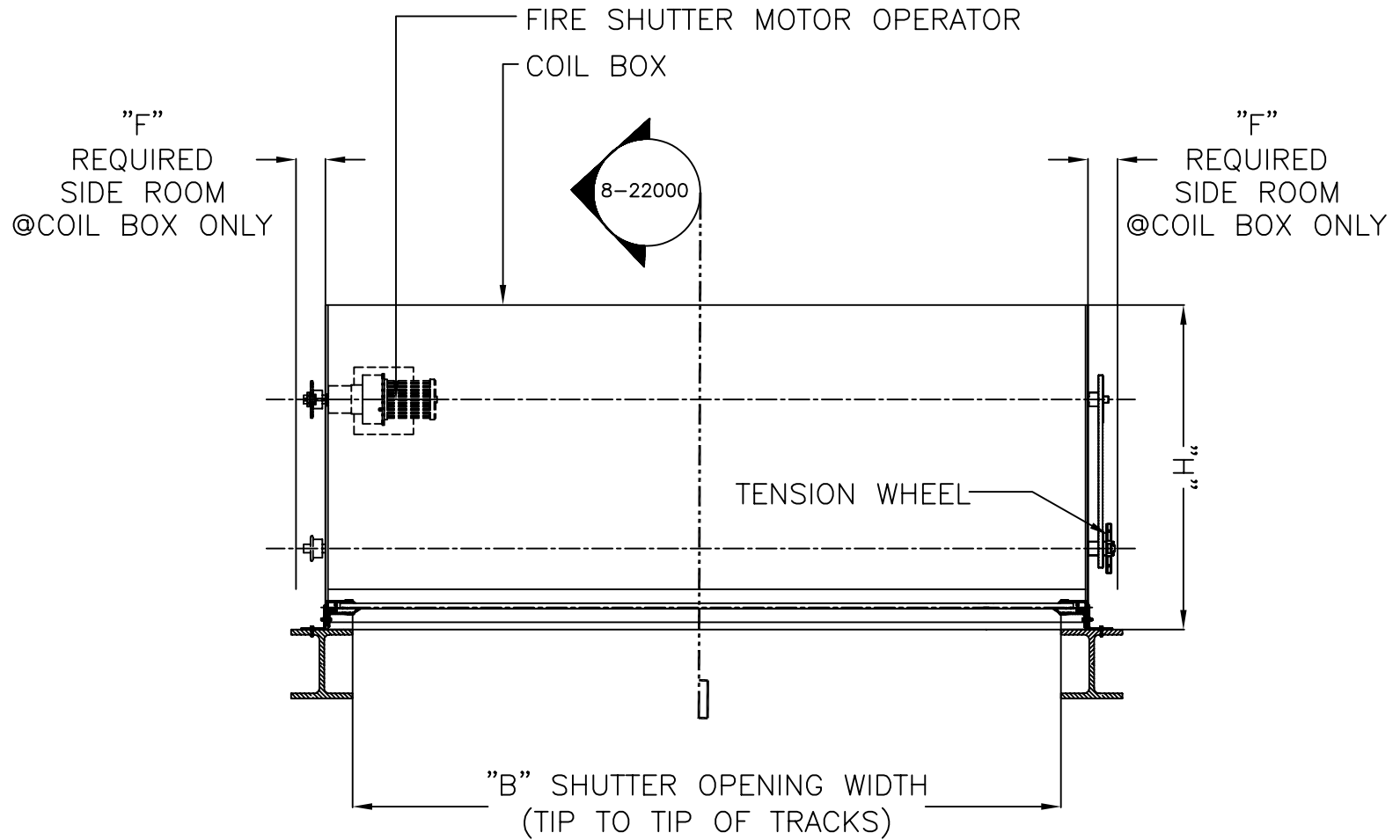
8-31002





HORIZONTAL FIRE SHUTTER MODELS H200/HL250

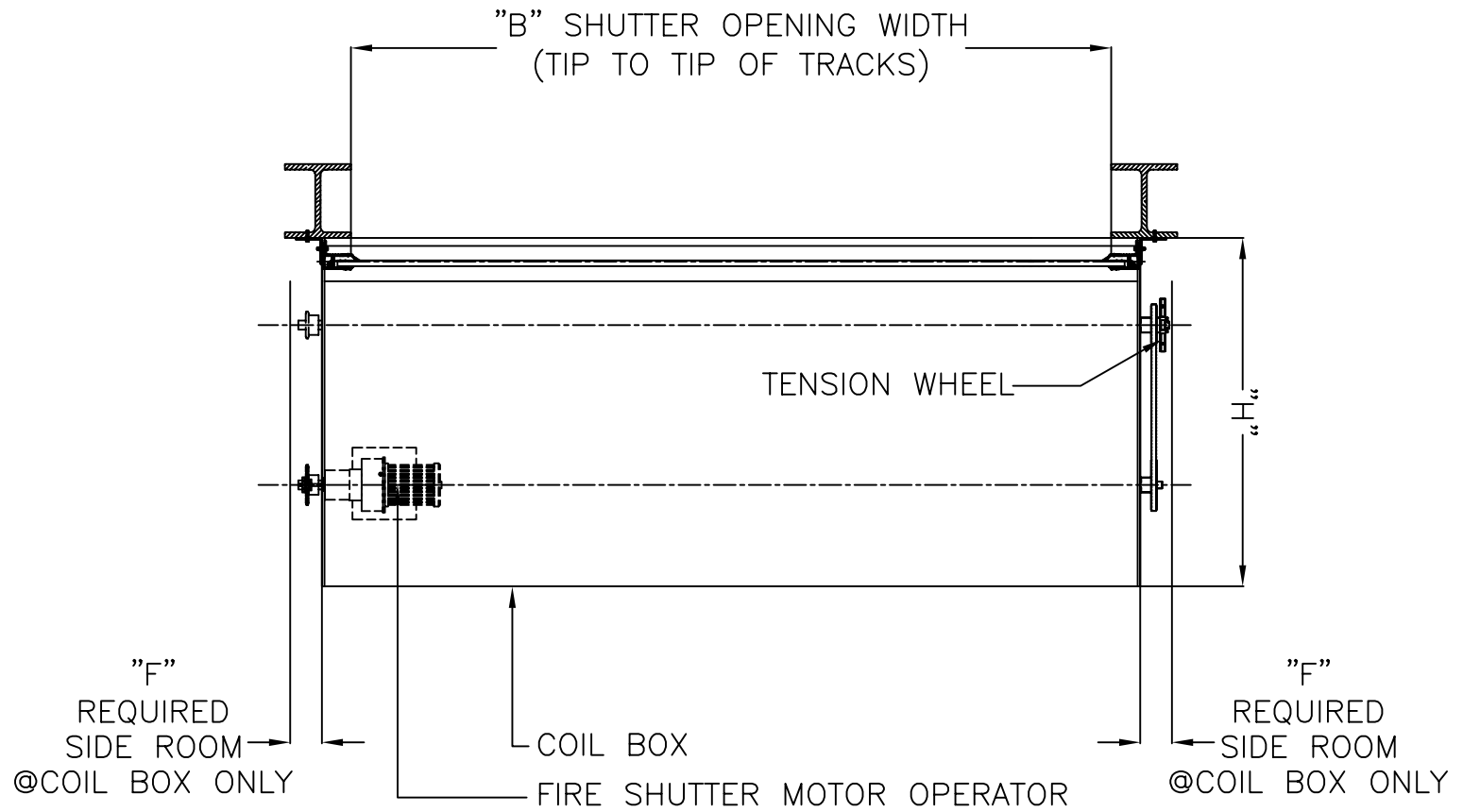
8-21000





HORIZONTAL FIRE SHUTTERS MODEL H200/HL250

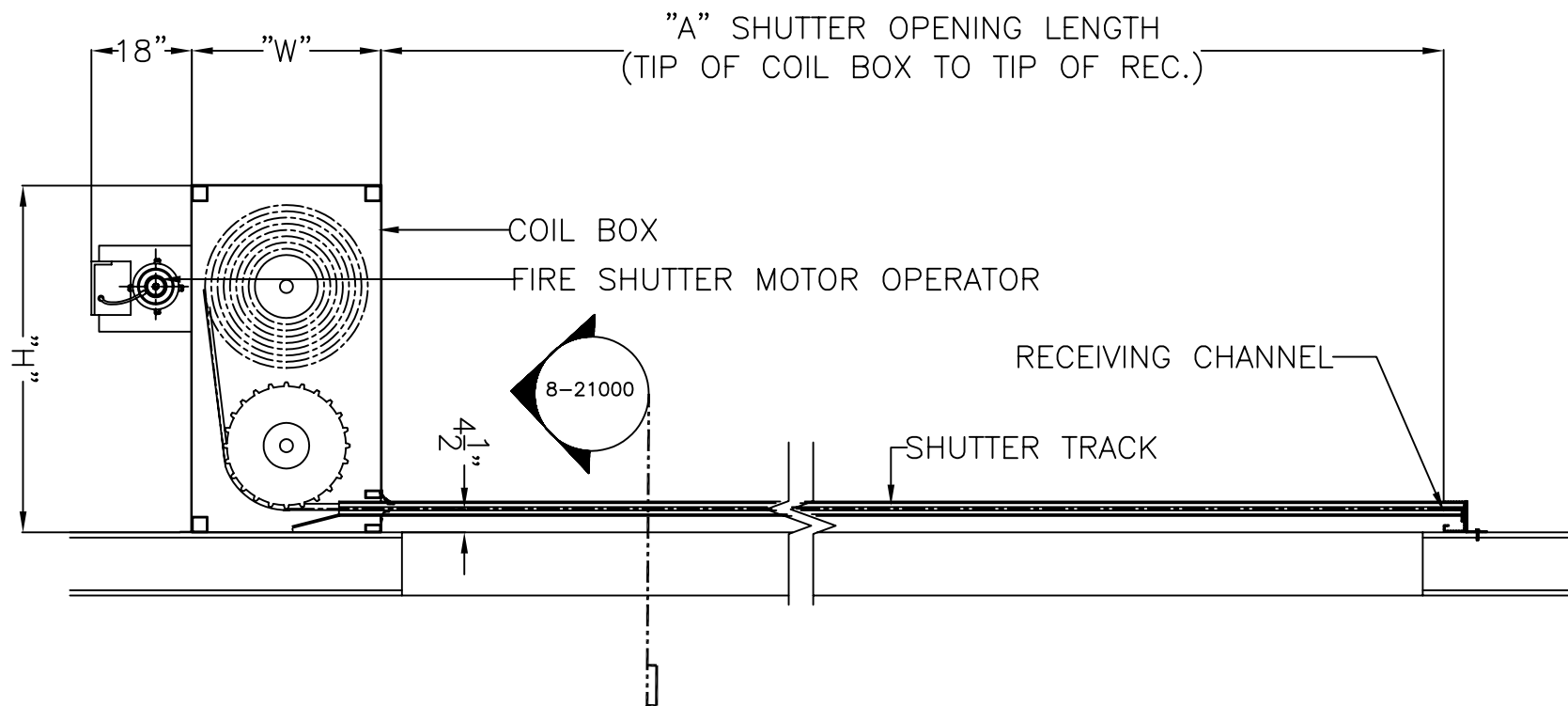
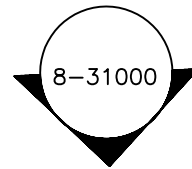
8-21001

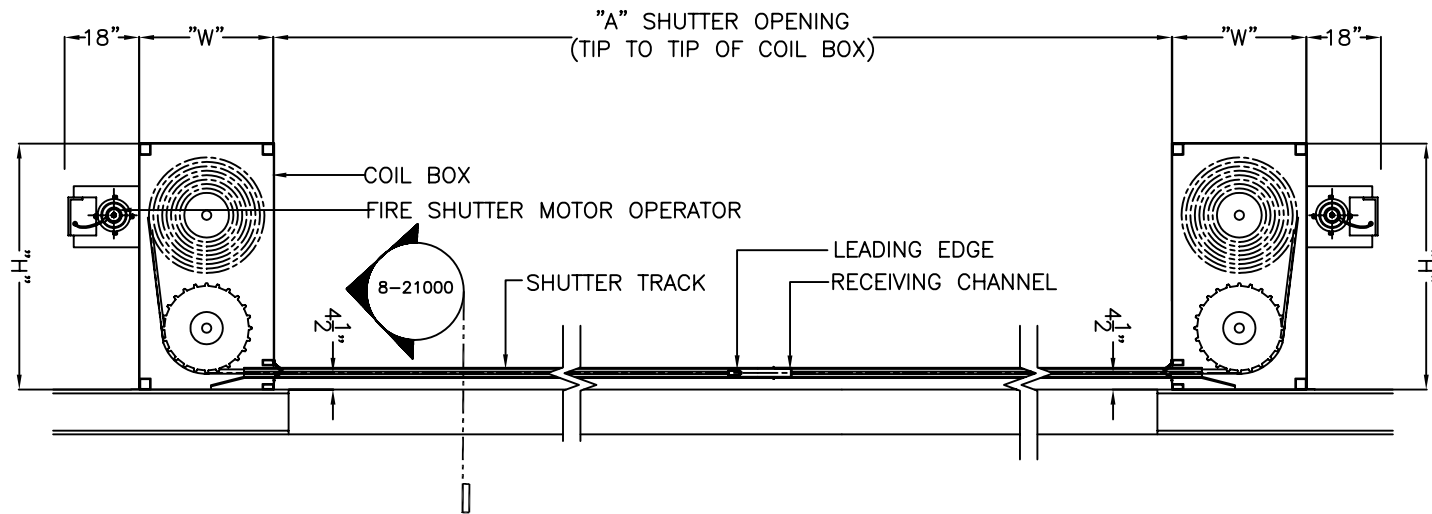
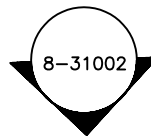




HORIZONTAL FIRE SHUTTER MODEL H200

8-22000

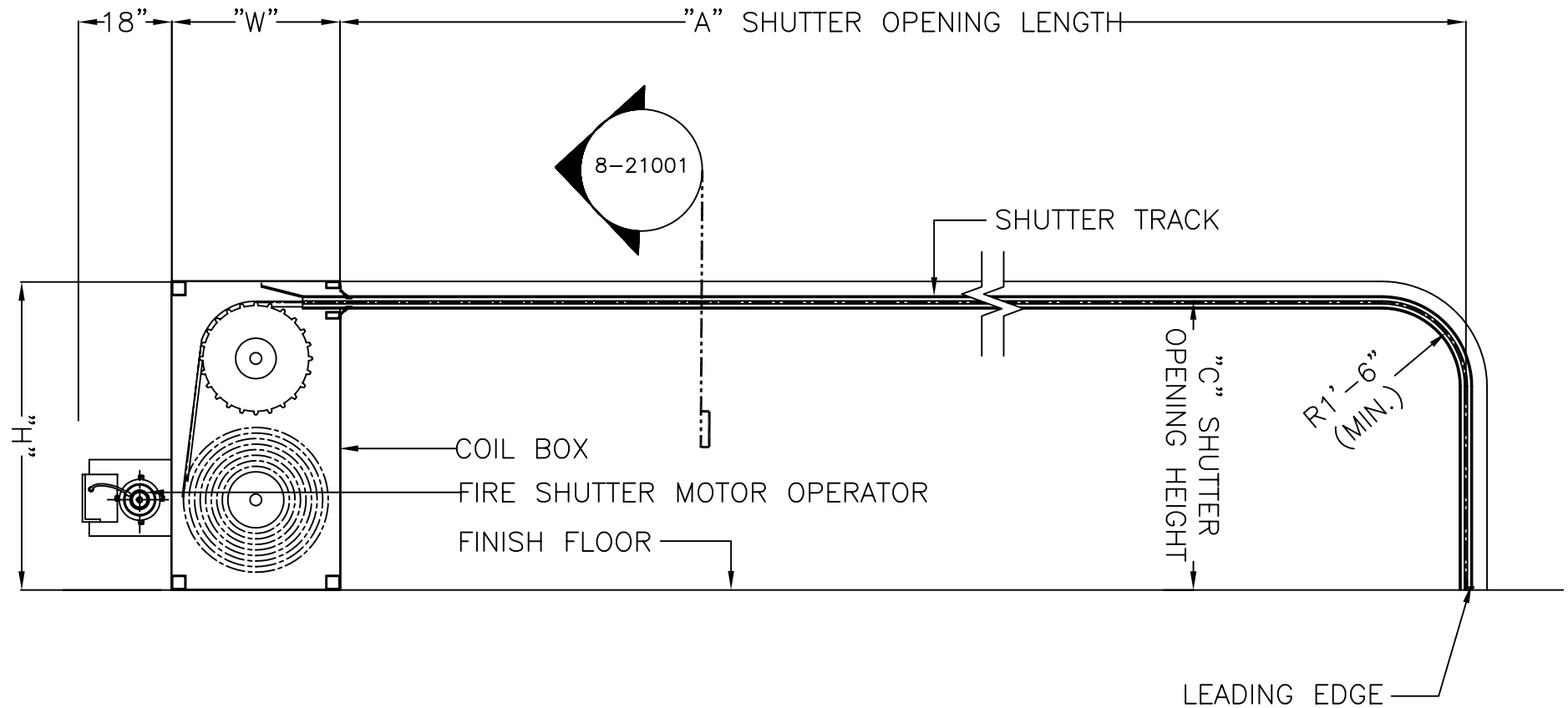






HORIZONTAL FIRE SHUTTER MODEL HL250

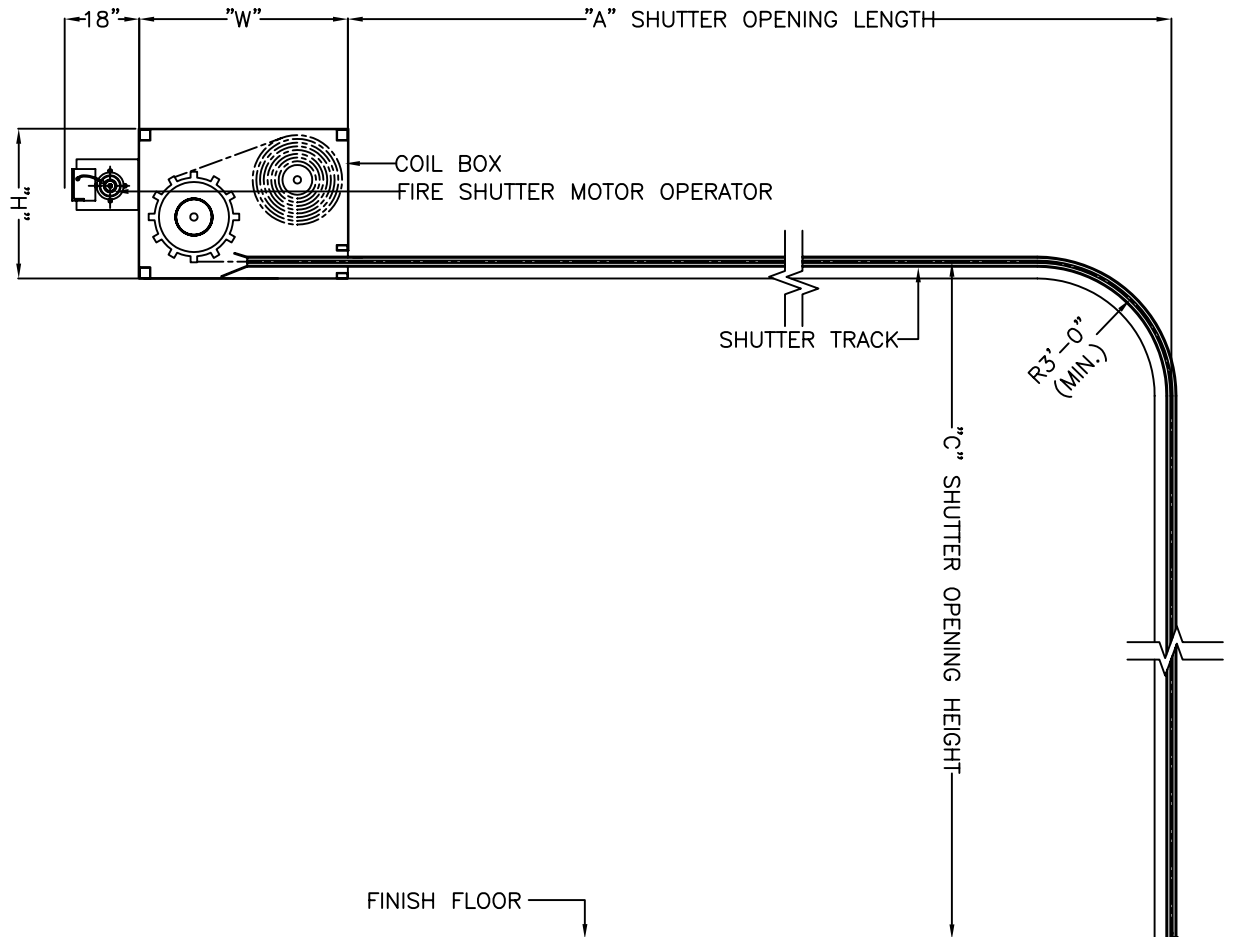
8-22010





HORIZONTAL FIRE SHUTTER MODEL HL250

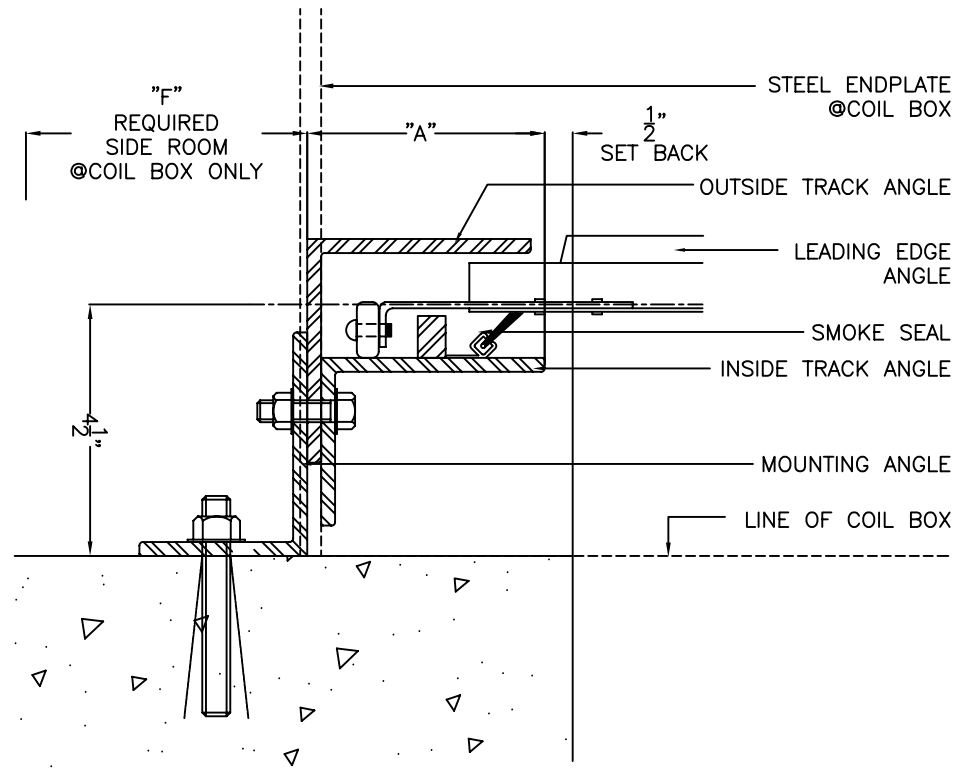
8-22011





HORIZONTAL FIRE SHUTTER MODELS H200/HL250

8-43400

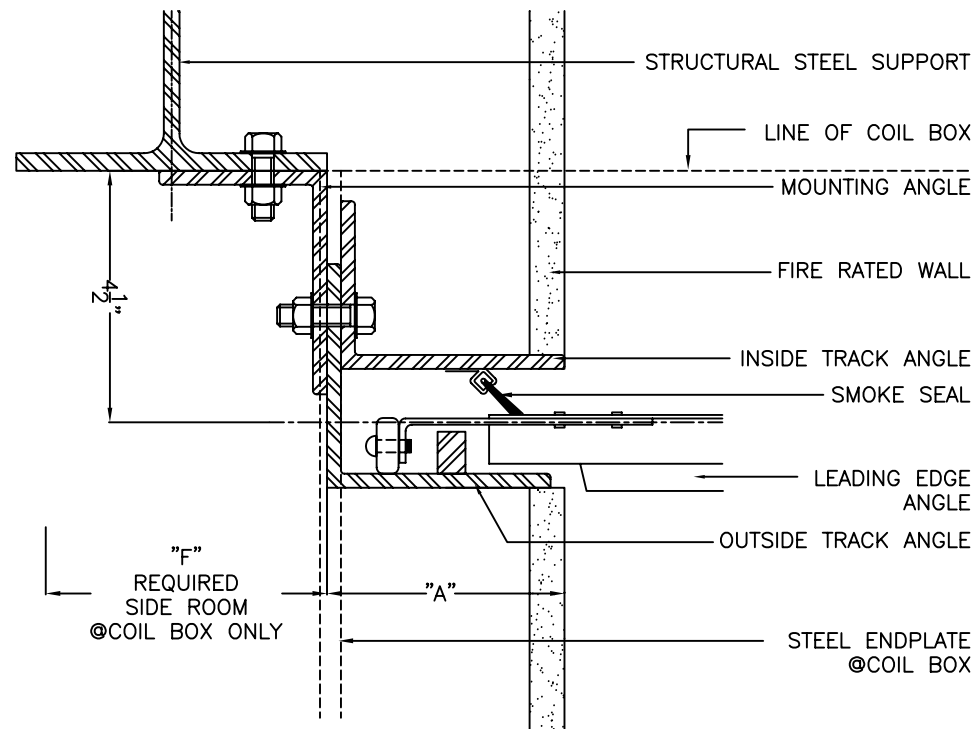


SHUTTER OPENING WIDTH	"A"	"F"
UP TO 12'-0"	4 1/4"	6"
12'-0" TO 18'-0"	5 5/16"	7"
18'-0" TO 28'-0"	6 3/8"	8"



HORIZONTAL FIRE SHUTTER MODELS H200/HL250

8-43401

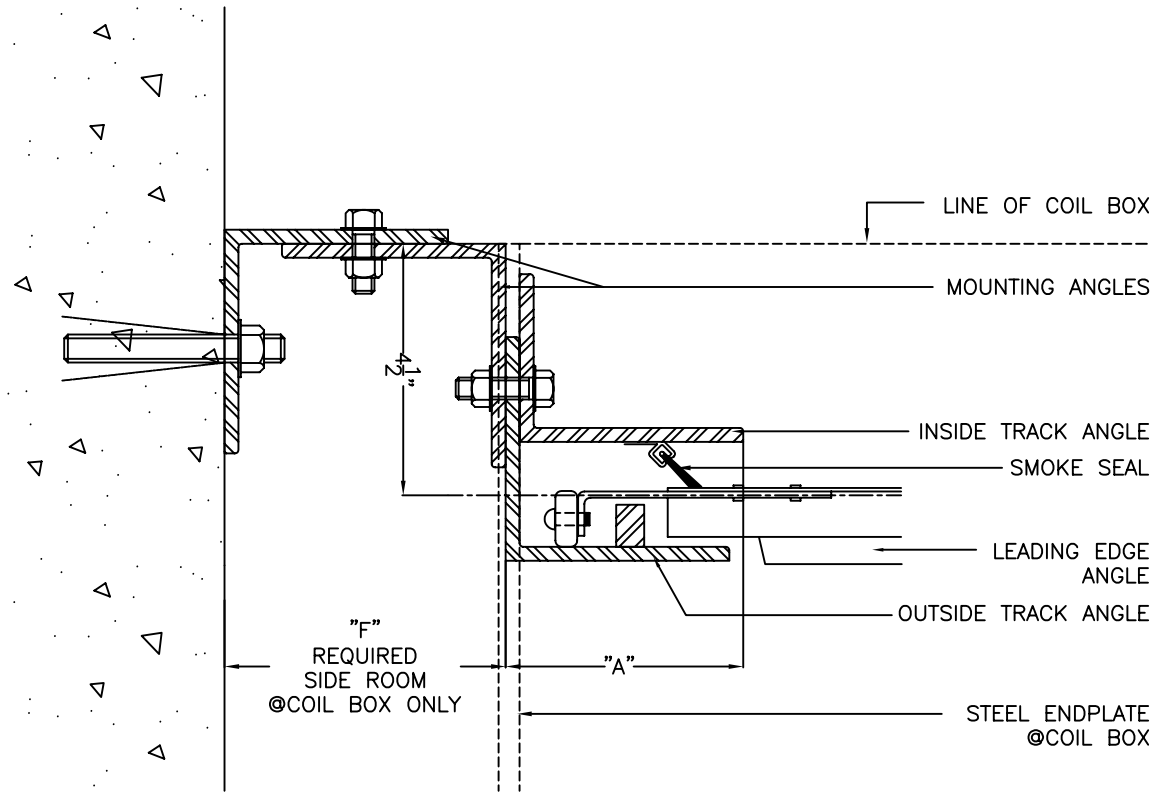


SHUTTER OPENING WIDTH	"A"	"F"
UP TO 12'-0"	4 1/4"	6"
12'-0" TO 18'-0"	5 5/16"	7"
18'-0" TO 28'-0"	6 3/8"	8"



HORIZONTAL FIRE SHUTTER MODELS H200/HL250

8-43410

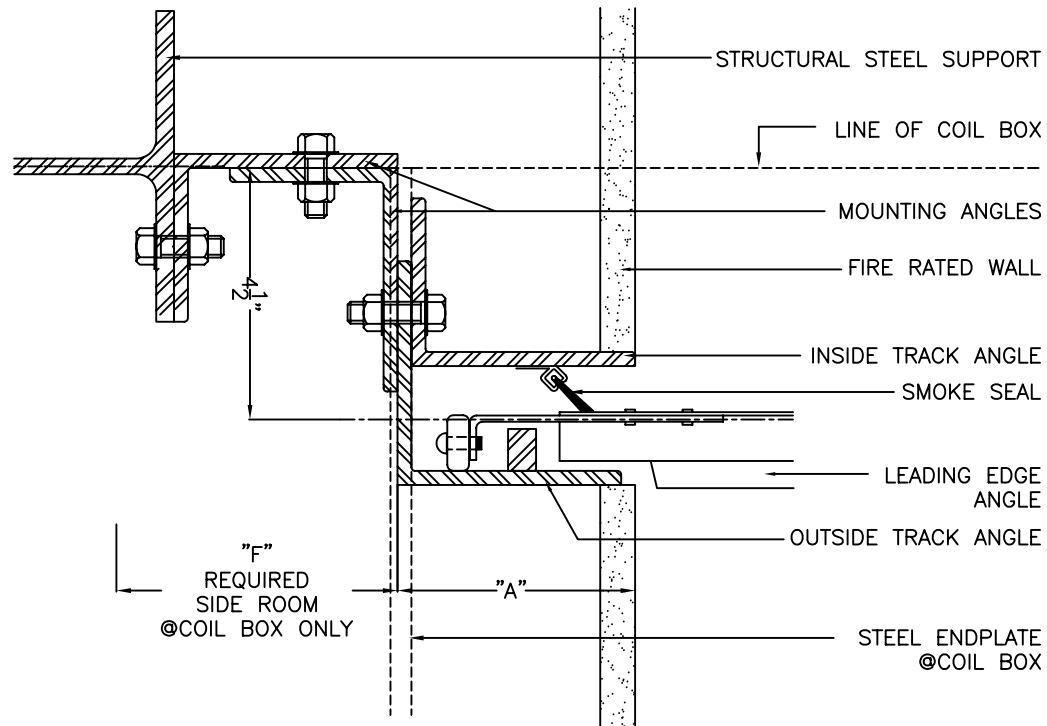


SHUTTER OPENING WIDTH	"A"	"F"
UP TO 12'-0"	4 1/4"	6"
12'-0" TO 18'-0"	5 5/16"	7"
18'-0" TO 28'-0"	6 3/8"	8"

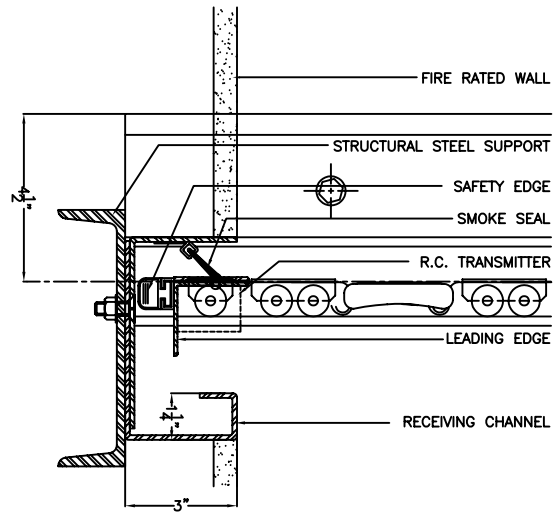


HORIZONTAL FIRE SHUTTER MODELS H200/HL250

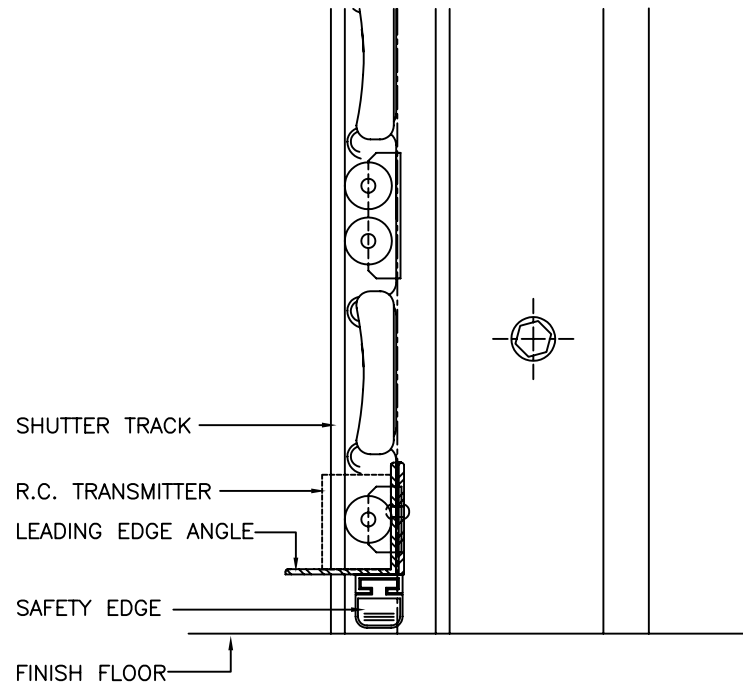
8-43411



SHUTTER OPENING WIDTH	"A"	"F"
UP TO 12'-0"	4 1/4"	6"
12'-0" TO 18'-0"	5 5/8"	7"
18'-0" TO 28'-0"	6 3/8"	8"



**LEADING EDGE/RECEIVING EDGE DETAIL
SINGLE PARTING**

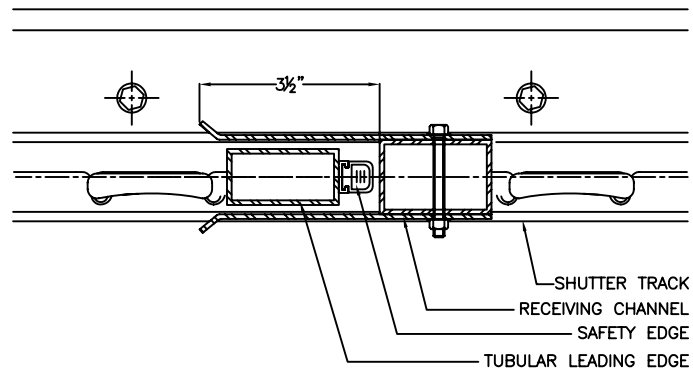


LEADING EDGE/RECEIVING EDGE DETAIL

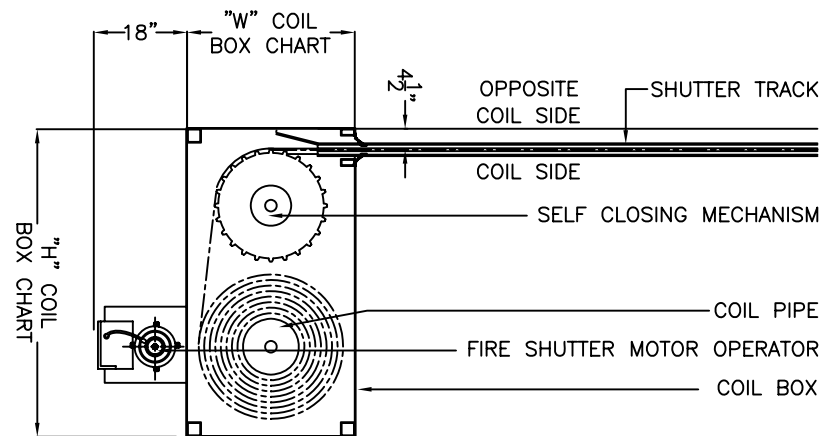


BI-PARTING HORIZONTAL FIRE SHUTTER MODEL H200

8-42402



LEADING EDGE/RECEIVING EDGE DETAIL
BI-PARTING



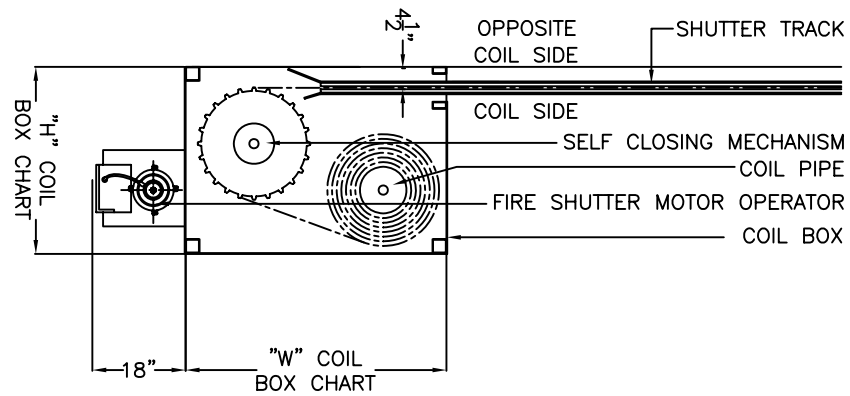
NOTE:

- (A) FOR ADDITIONAL MOTOR LOCATION OPTIONS REFER TO COIL BOX SELECTION CHART;
- (B) COIL BOX MAY BE INVERTED TO THE UP POSITION



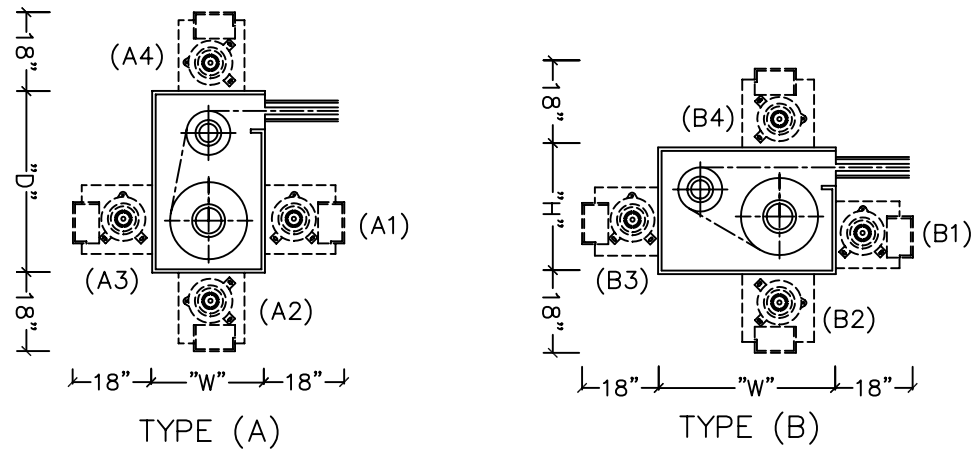
HORIZONTAL FIRE SHUTTER MODELS H200/HL250

8-45102



NOTE:

- (A) FOR ADDITIONAL MOTOR LOCATION OPTIONS REFER TO COIL BOX SELECTION CHART;
- (B) COIL BOX MAY BE INVERTED TO THE UP POSITION



SHUTTER LENGTH		TYPE (A)		TYPE (B)	
FROM	TO	W	H	W	H
--	14'-0"	18"	34"	30"	27"
14'-1"	28'-0"	25"	46"	46"	35"
28'-1"	44'-0"	30"	56"	56"	40"

NOTE:
 FOR SHUTTERS LONGER THAN 44'-0"
 OR/AND WIDER THAN 18'-0",
 CONSULT FACTORY FOR SIZES.