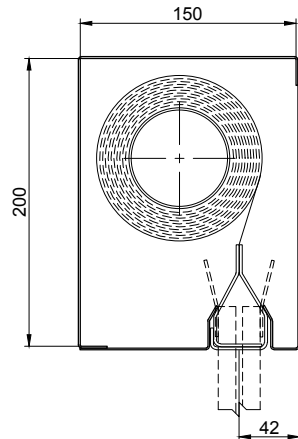


FIREMASTER® FIRE CURTAIN STANDARD HEADBOX SECTIONS

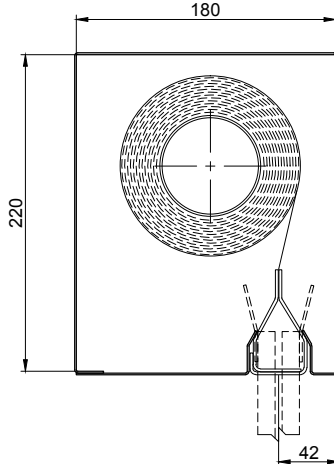
SINGLE ROLLER UNITS

MULTIPLE ROLLER UNITS

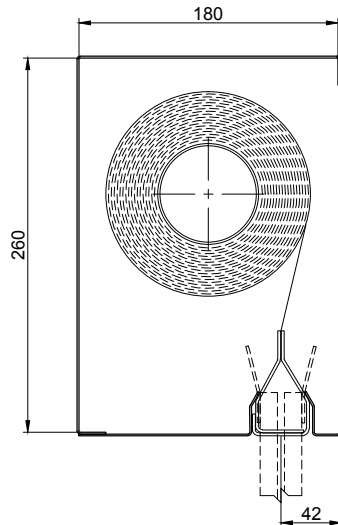
FM 15/20



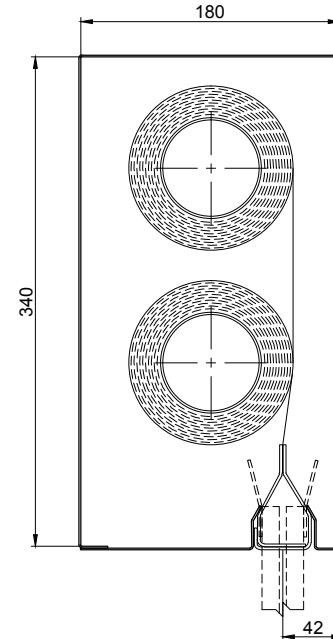
FM 18/22



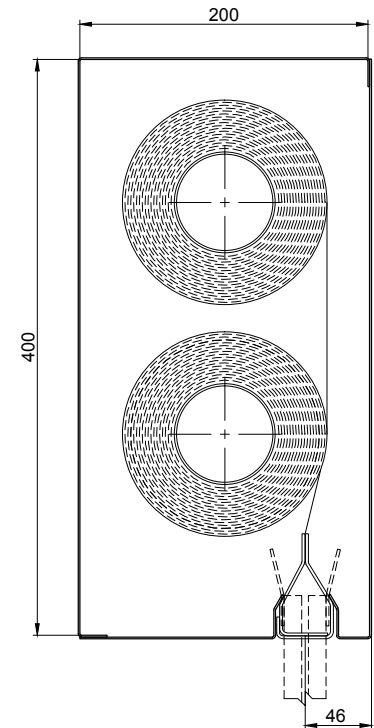
FM 18/26



FM 18/34



FM 20/40



Product	Max Width	Max Drop	Fabric
FM	5m	4.0m	EFP™ 4/1000/PU
FM	3m	3.0m	EFP™ A1

Product	Max Width	Max Drop	Fabric
FM	5m	6.0m	EFP™ 4/1000/PU
FM	3m	3.0m	EFP™ A1

Product	Max Width	Max Drop	Fabric
FM	5m	8.0m	EFP™ 4/1000/PU
FM	3m	3.0m	EFP™ A1

Product	Max Width	Max Drop	Fabric
FM	Unlimited*	4.0m	EFP™ 4/1000/PU
FM	n/a	n/a	EFP™ A1

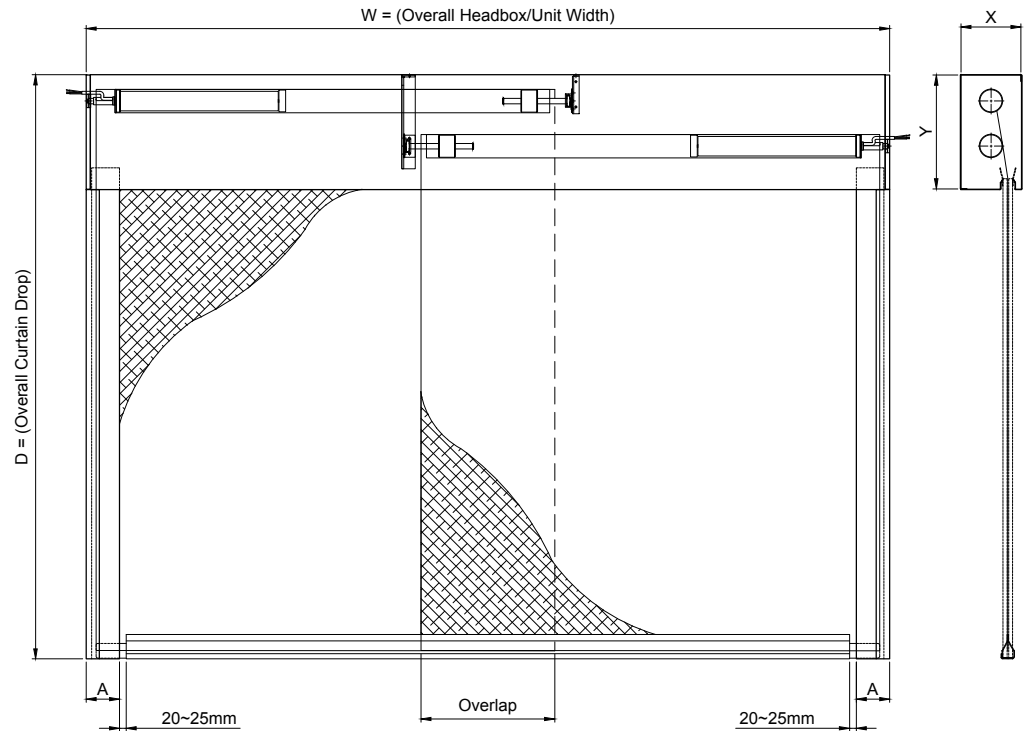
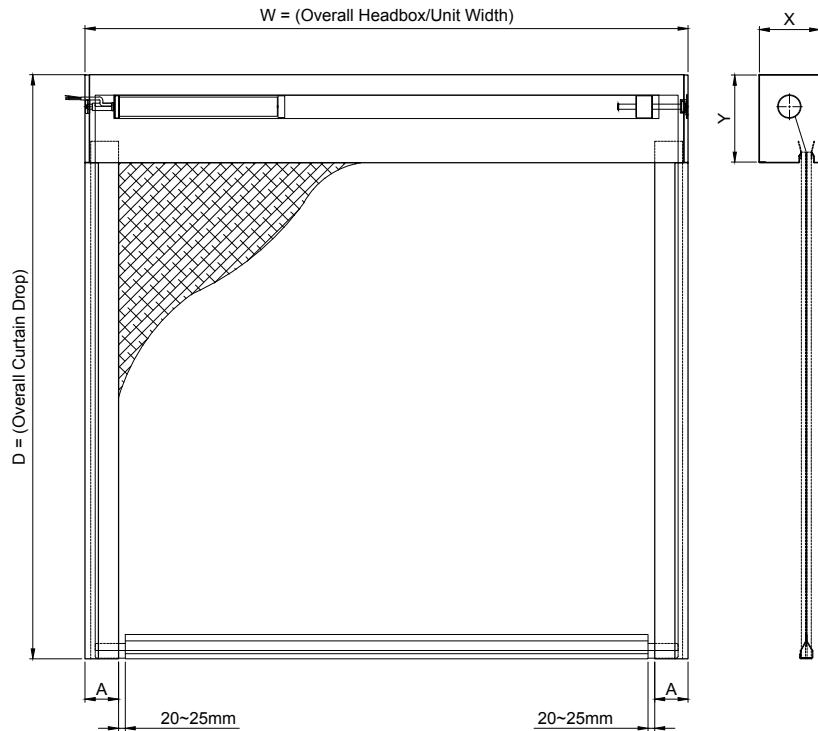
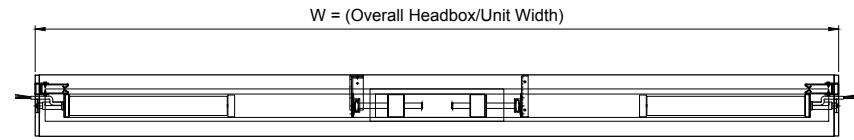
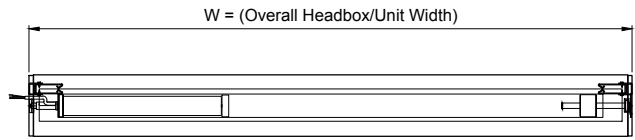
Product	Max Width	Max Drop	Fabric
FM	Unlimited**	8.0m	EFP™ 4/1000/PU
FM	n/a	n/a	EFP™ A1



Edward House, Penner Road,
Havant, Hampshire, PO9 1QZ, UK
Tel: +44 (0)2392 454 405
Email: info@coopersfire.com
Web: www.coopersfire.com

DRAWN: ML	TITLE: FireMaster® Fire Curtain Headbox/Size Configuration (Jumbo Bar)	
CHECKED: JR	© 1997-2018 COOPERS FIRE LIMITED ALL RIGHTS RESERVED. THIS DESIGN MAY NOT BE REPRODUCED IN ANY MATERIAL FORM, INCLUDING ELECTRONICALLY WITHOUT THE WRITTEN PERMISSION OF THE COPYRIGHT NAMES	ALL DIMENSIONS IN MILLIMETRES UNLESS OTHERWISE STATED
APPROVED: JR	DRG. No. 600/252//MK	ISSUE: 1 DATE: 22.06.2018

NOTE: -
* Unlimited width with overlap 10in, maximum 5m per roller
** Unlimited width with overlap 10in, maximum 4m per roller
Headbox size should allow additional min. 15mm for fixings bolt head
Sizes outside these standards - please contact Coopers



HEADBOX SIZE		OVERALL DIMENSION		
X (mm)	Y (mm)	W	D	A (mm)
150	200	< 5m	< 4m	90 - 100
180	220	< 5m	< 6m	90 - 100
180	260	< 5m	< 8m	123 - 133

HEADBOX SIZE		OVERALL DIMENSION		
X (mm)	Y (mm)	W	D	A (mm)
180	340	Unlimited*	< 4m	90 - 100
200	400	Unlimited**	< 8m	123 - 133

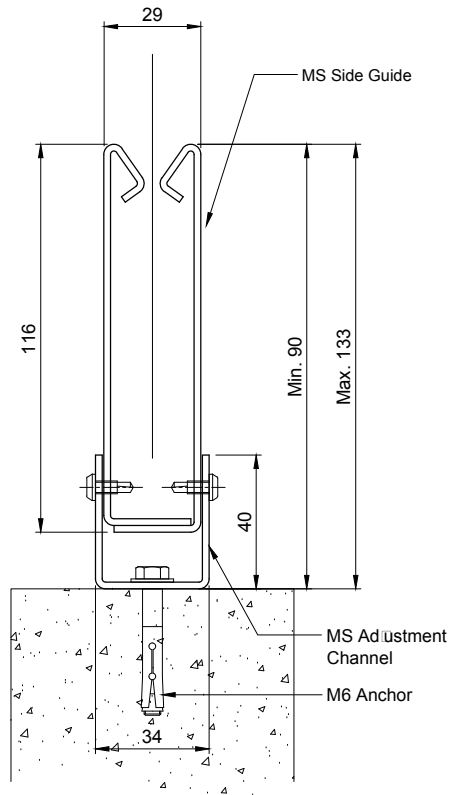


Edward House, Penner Road,
Havant, Hampshire, PO9 1QZ, UK
Tel: +44 (0)2392 454 405
Email: info@coopersfire.com
Web: www.coopersfire.com

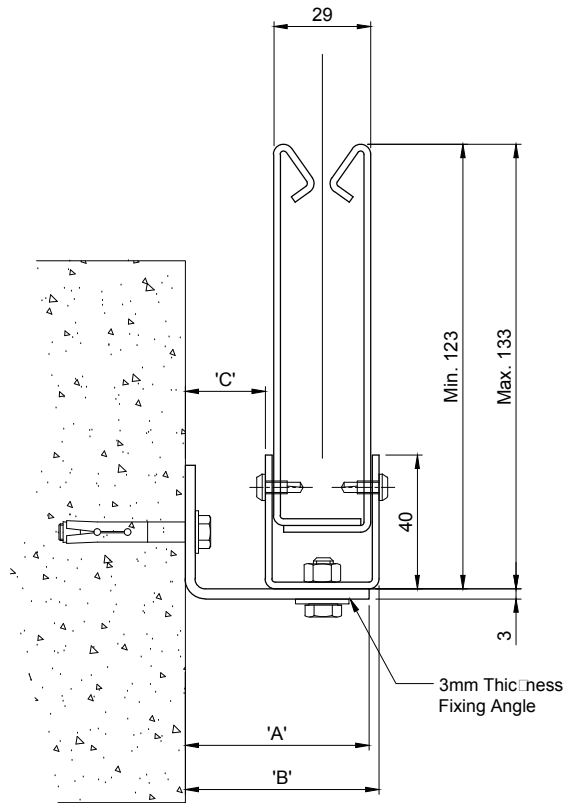
DRAWN: ML	TITLE: FireMaster® Fire Curtain Matrix of Sizes - Jumbo (EFP™ 4/1000/PU)	
CHECKED: JR	© 1997-2018 COOPERS FIRE LIMITED ALL RIGHTS RESERVED. THIS DESIGN MAY NOT BE REPRODUCED IN ANY MATERIAL FORM, INCLUDING ELECTRONICALLY WITHOUT THE WRITTEN PERMISSION OF THE COPYRIGHT NAMES	ALL DIMENSIONS IN MILLIMETRES UNLESS OTHERWISE STATED
APPROVED: JR	DRG. No. 606/117/MK	ISSUE: 1 DATE: 22.06.2018

NOTE: -

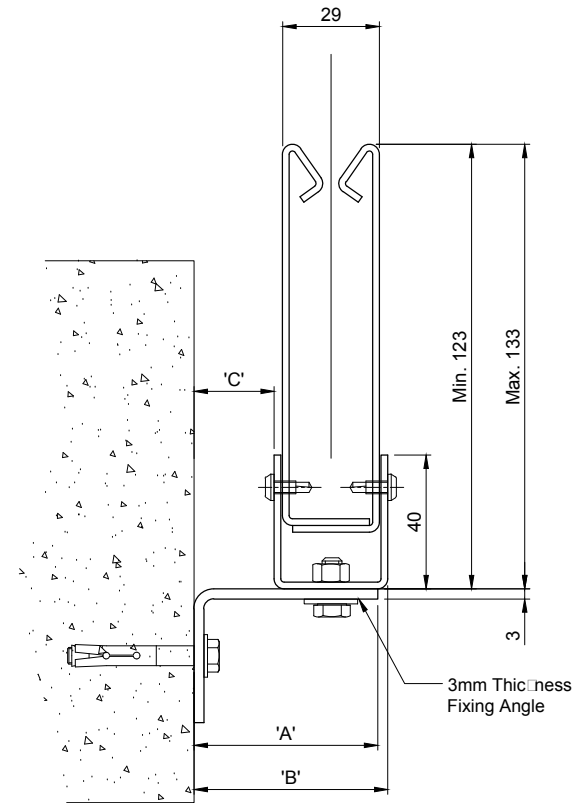
- * Unlimited width with overlap join, maximum 5m per roller
- ** Unlimited width with overlap join, maximum 4m per roller
- Headbox size should allow additional min. 15mm for fixings bolt head
- Sizes outside these standards - please contact Coopers



SIDE MOUNTED
SIDE GUIDE DETAILS



REVERSE MOUNTED (OPTION 1)
SIDE GUIDE DETAILS



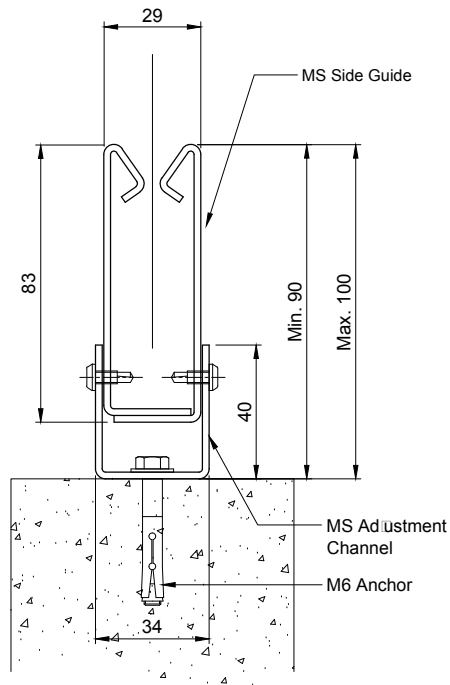
REVERSE MOUNTED (OPTION 2)
SIDE GUIDE DETAILS

FIXING DIMENSION			
HEADBOX	'A'	'B'	'C'
FM15/20	55mm	58mm	25mm
FM18/22	55mm	58mm	25mm
FM18/26	55mm	58mm	25mm
FM18/34	55mm	58mm	25mm
FM20/40	59mm	62mm	29mm
116mm Side Guide applies to curtains over 6M drop			

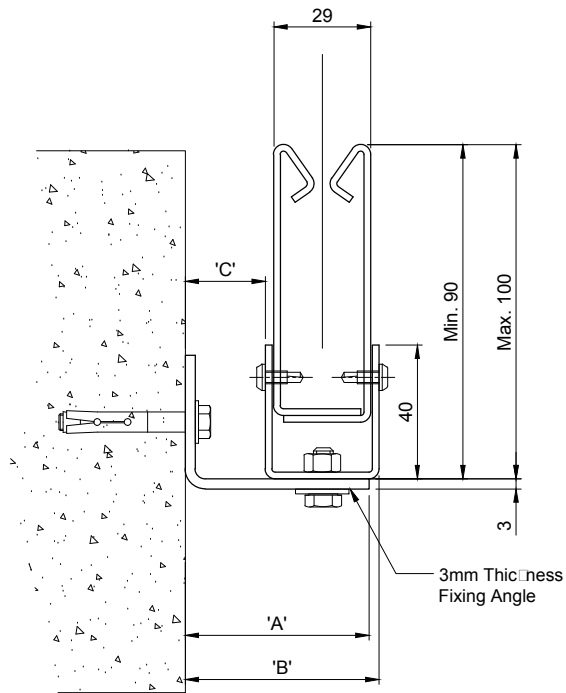


Edward House, Penner Road,
Havant, Hampshire, PO9 1QZ, UK
Tel: +44 (0)2392 454 405
Email: info@coopersfire.com
Web: www.coopersfire.com

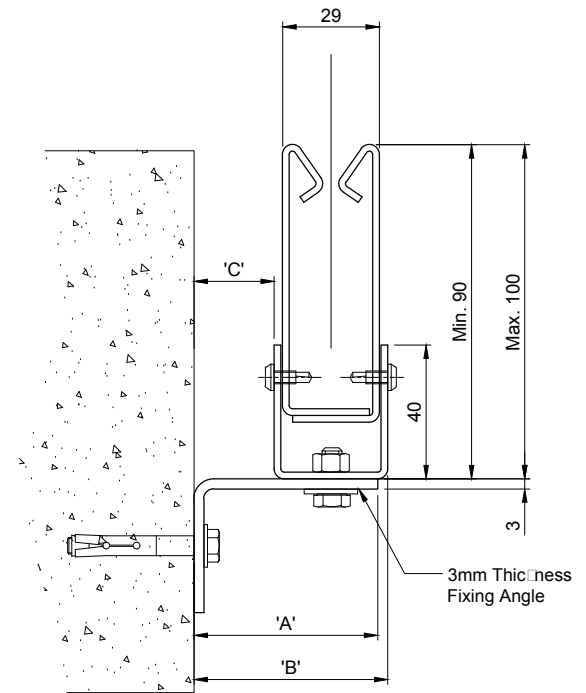
DRAWN: ML	TITLE: 116mm FireMaster® Side Guide Fixing Configuration
CHECKED: JR	© 1997-2018 COOPERS FIRE LIMITED ALL RIGHTS RESERVED. THIS DESIGN MAY NOT BE REPRODUCED IN ANY MATERIAL FORM, INCLUDING ELECTRONICALLY WITHOUT THE WRITTEN PERMISSION OF THE COPYRIGHT NAMES ALL DIMENSIONS IN MILLIMETRES UNLESS OTHERWISE STATED
APPROVED: JR	DRG. No. 600/138/MK ISSUE: 1 DATE: 22.06.2018



SIDE MOUNTED
SIDE GUIDE DETAILS



REVERSE MOUNTED (OPTION 1)
SIDE GUIDE DETAILS



REVERSE MOUNTED (OPTION 2)
SIDE GUIDE DETAILS

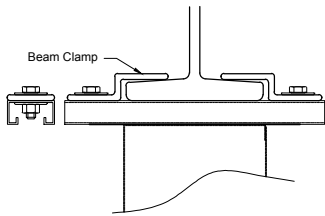
FIXING DIMENSION			
HEADBOX	'A'	'B'	'C'
FM15/20	55mm	58mm	25mm
FM18/22	55mm	58mm	25mm
FM18/26	55mm	58mm	25mm
FM18/34	55mm	58mm	25mm
FM20/40	59mm	62mm	29mm
83mm Side Guide applies to curtains under 6M drop			



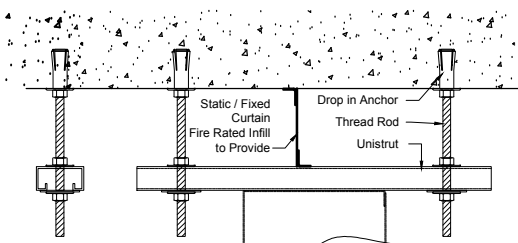
Edward House, Penner Road,
Havant, Hampshire, PO9 1QZ, UK
Tel: +44 (0)2392 454 405
Email: info@coopersfire.com
Web: www.coopersfire.com

DRAWN: ML	TITLE: 83mm FireMaster® Side Guide Fixing Configuration	
CHECKED: JR	<small>© 1997-2018 COOPERS FIRE LIMITED ALL RIGHTS RESERVED. THIS DESIGN MAY NOT BE REPRODUCED IN ANY MATERIAL FORM, INCLUDING ELECTRONICALLY WITHOUT THE WRITTEN PERMISSION OF THE COPYRIGHT NAMES</small>	<small>ALL DIMENSIONS IN MILLIMETRES UNLESS OTHERWISE STATED</small>
APPROVED: JR	DRG. No. 600/137//MK	ISSUE: 1 DATE: 22.06.2018

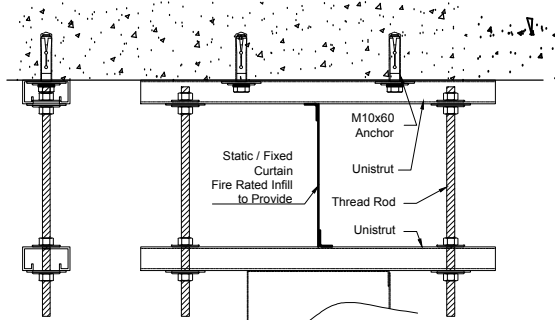
HEADBOX FIXING OPTIONS



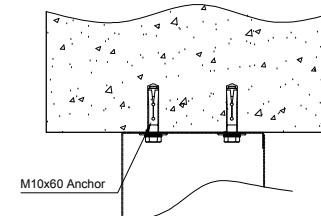
I BEAM FIXING



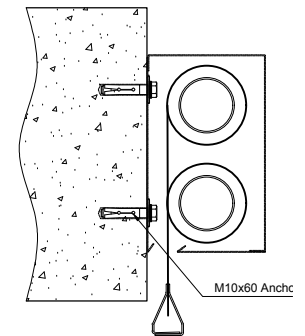
DROP ROD INTO SLAB FIXING



DROP ROD TO UNISTRUT FIXING

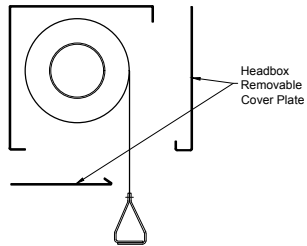


TOP DIRECT FIXING TO CONCRETE

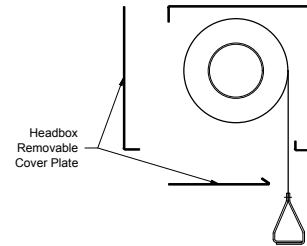


BACK DIRECT FIXING TO CONCRETE

HEADBOX ACCESS OPTIONS

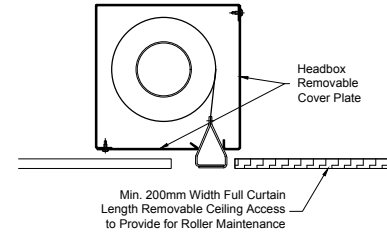


STANDARD HEADBOX

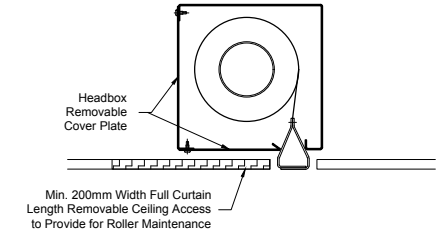


REVERSE HEADBOX

CEILING ACCESS OPTIONS

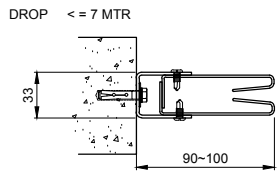


STANDARD HEADBOX

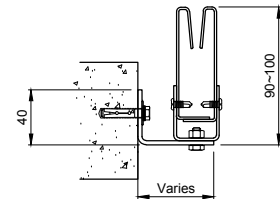


REVERSE HEADBOX

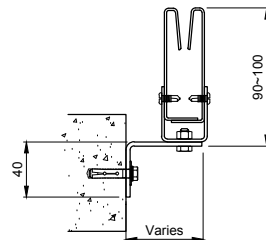
SIDE GUIDE FIXING OPTIONS



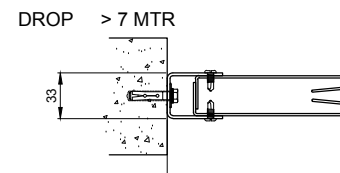
SIDE FIX



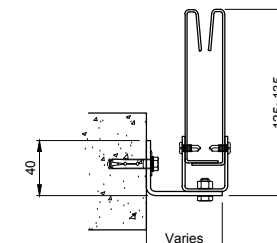
REVERSE FIX - Option 1



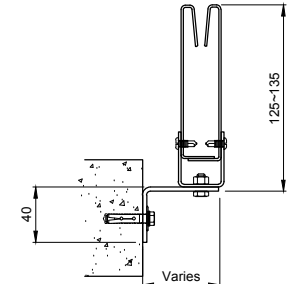
REVERSE FIX - Option 1



SIDE FIX

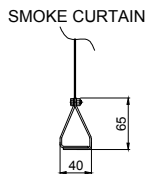


REVERSE FIX - Option 1

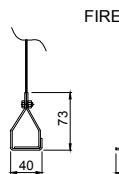


REVERSE FIX - Option 1

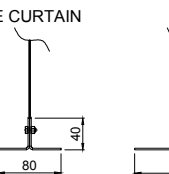
BOTTOM BARS OPTIONS



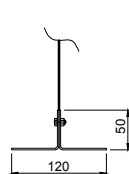
JUMBO BOTTOM BAR



JUMBO BOTTOM BAR



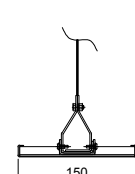
'T' BOTTOM BAR



'T' BOTTOM BAR



75 ACE CAPPING

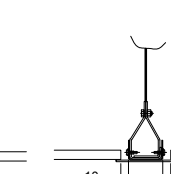
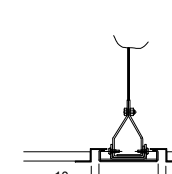
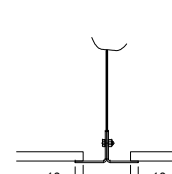
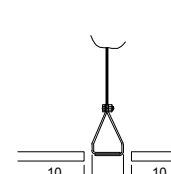


150 ACE CAPPING



75 STALL PLATE

CEILING & BOTTOM BARS INTERFACE OPTIONS



Edward House, Penner Road,
Havant, Hampshire, PO9 1QZ, UK
Tel: +44 (0)2392 454 405
Email: info@coopersfire.com
Web: www.coopersfire.com

DRAWN:	ML	TITLE:	Headbox Fixing, Headbox Ceiling Interface, Bottom Bar & Capping Variations
CHECKED:	JR	© 1997-2018 COOPERS FIRE LIMITED ALL RIGHTS RESERVED. THIS DESIGN MAY NOT BE REPRODUCED IN ANY MATERIAL FORM, INCLUDING ELECTRONICALLY WITHOUT THE WRITTEN PERMISSION OF THE COPYRIGHT NAMES	ALL DIMENSIONS IN MILLIMETRES UNLESS OTHERWISE STATED
APPROVED:	JR	DRG. No.	600/616/MK
		ISSUE:	1
		DATE:	06.09.18

* For Information Use Only
Standard Size, Standard Configuration, Sizes Greater than Stated please contact Coopers