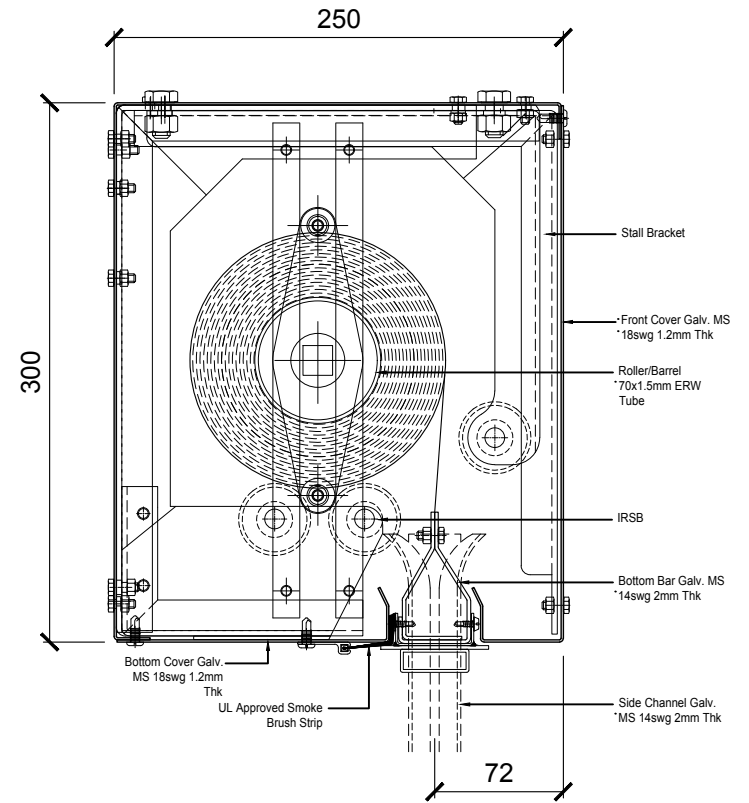
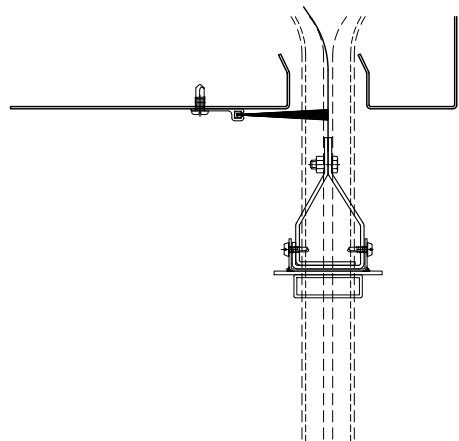
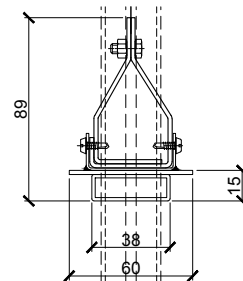
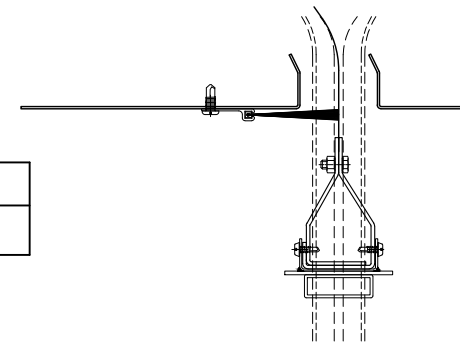


DROP	WIDTH
< 4M	< 5M



DROP	WIDTH
< 4M	> 5M < 18M

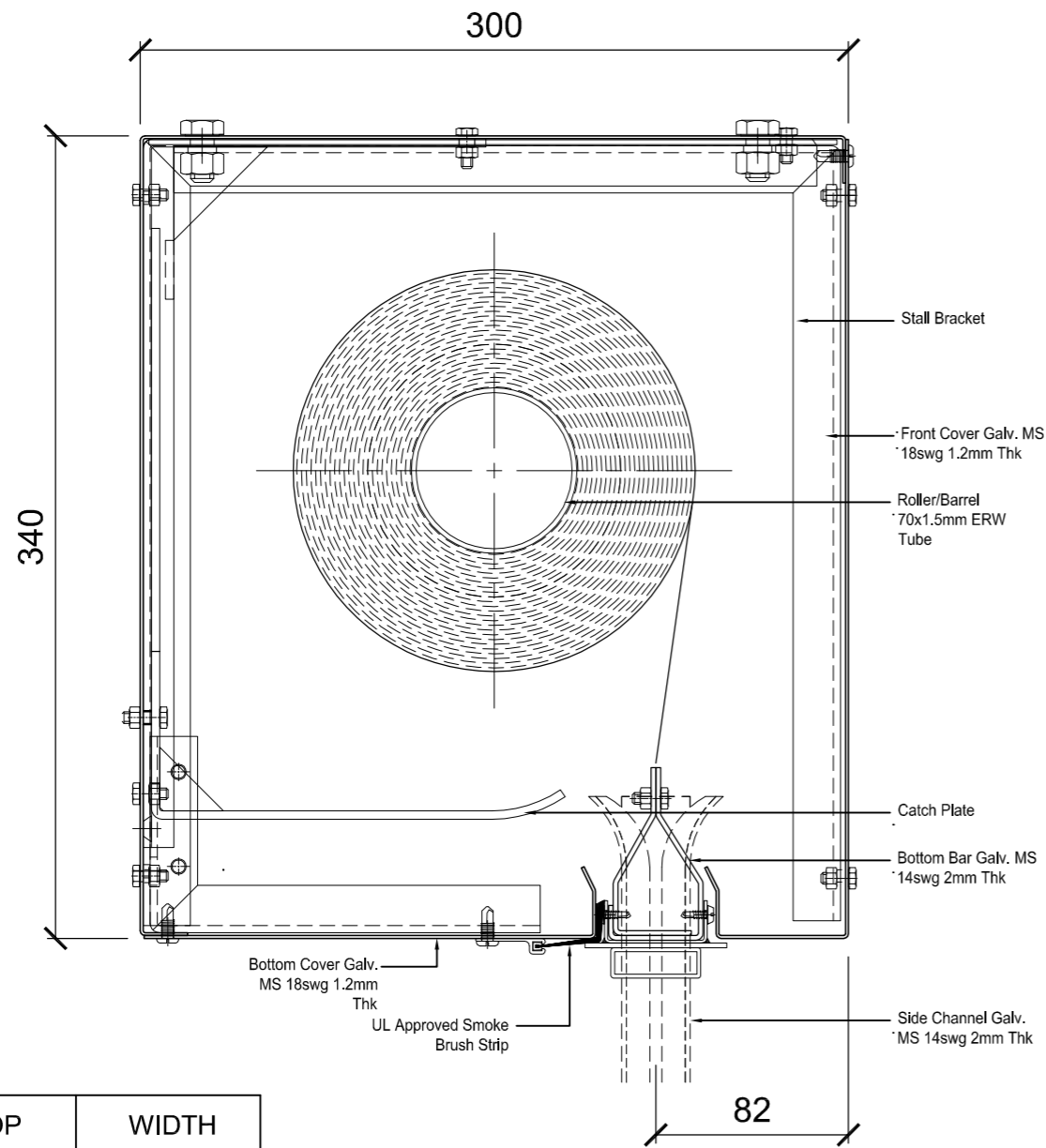


Edward House, Penner Road,
Havant, Hampshire, PO9 1QZ, UK
Tel: +44 (0) 23 9245 4405
Fax: +44 (0) 23 9249 2732
Email: info@coopersfire.com
Web: www.coopersfire.com

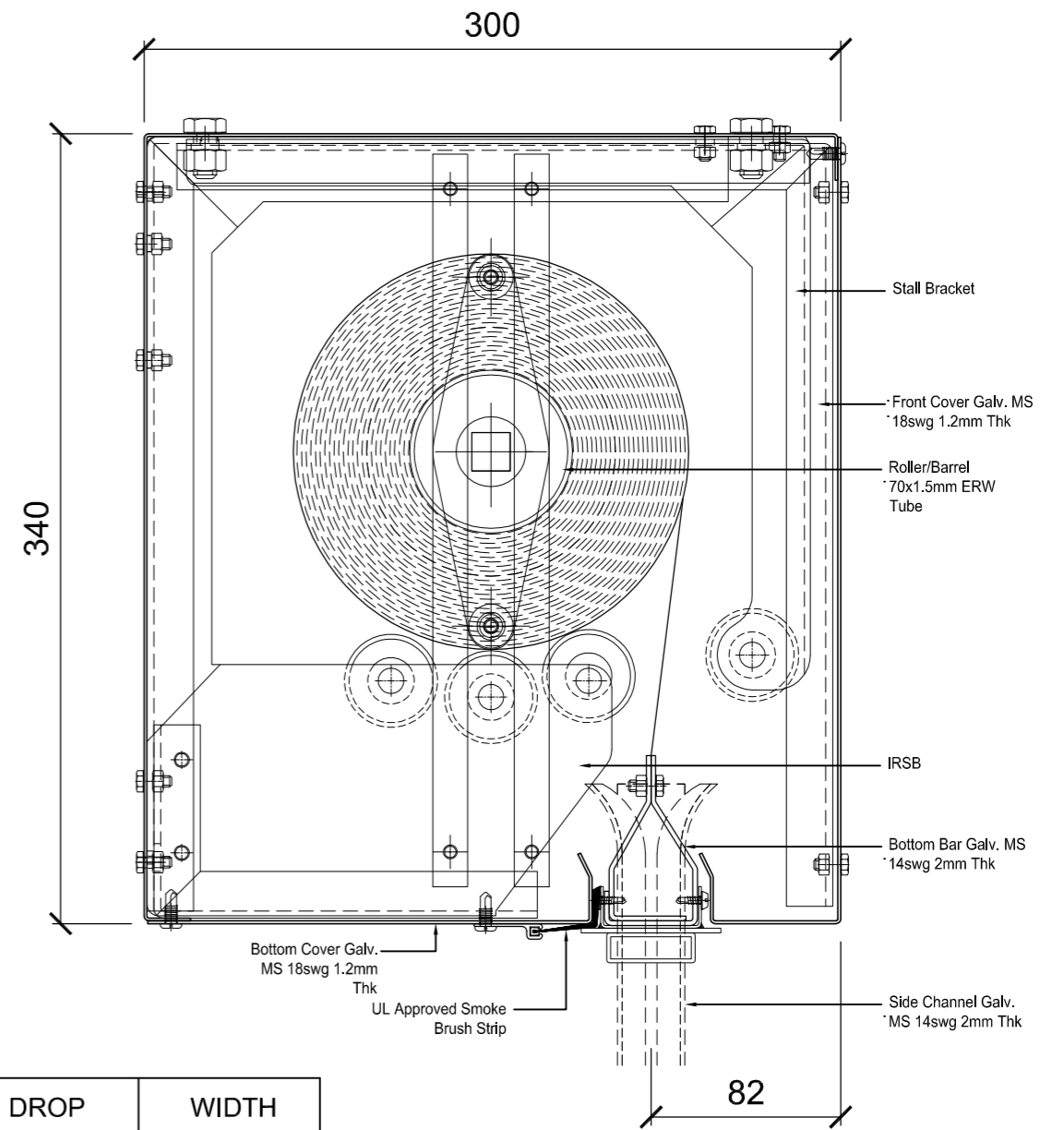
DRAWN: ML	TITLE: FIREMASTER EGRESS® WITH S. SEAL HEADBOX CONFIGURATION (DROP < 4M)	
CHECKED: JR	© 1997-2016 A COOPER GROUP LIMITED ALL RIGHTS RESERVED. THIS DESIGN MAY NOT BE REPRODUCED IN ANY MATERIAL FORM, INCLUDING ELECTRONICALLY WITHOUT THE WRITTEN PERMISSION OF THE COPYRIGHT NAMES	ALL DIMENSION IN MILLIMETERS UNLESS OTHERWISE STATED
APPROVED: CJL	DRG. No. 602/140/MK	ISSUE: D DATE: 14.02.2017

FIREMASTER EGRESS® CURTAIN STANDARD HEADBOXING SECTIONS

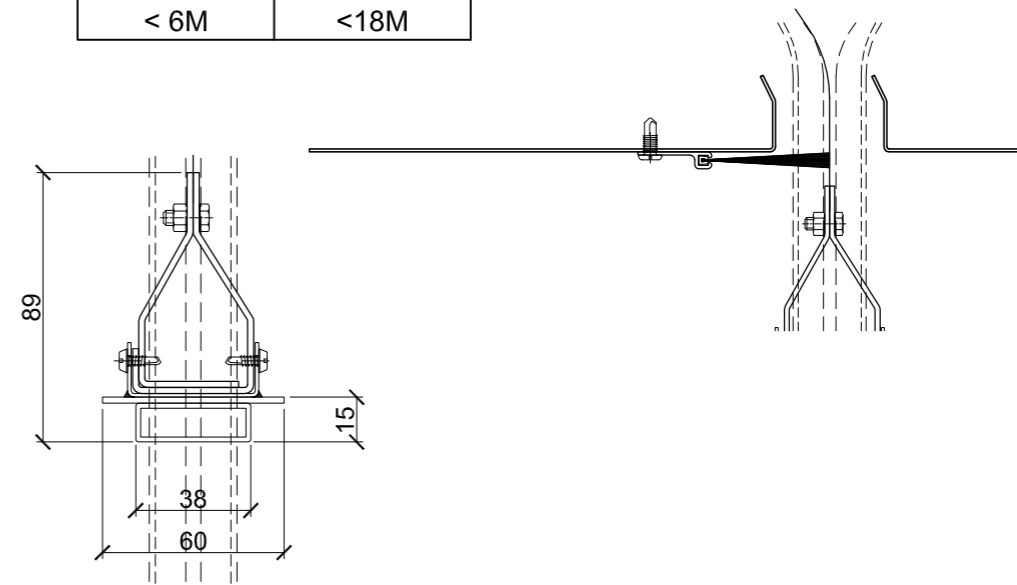
EGRESS WSR 30/34



DROP	WIDTH
> 4M	< 5M
< 6M	< 5M



DROP	WIDTH
> 4M	> 5M
< 6M	< 18M



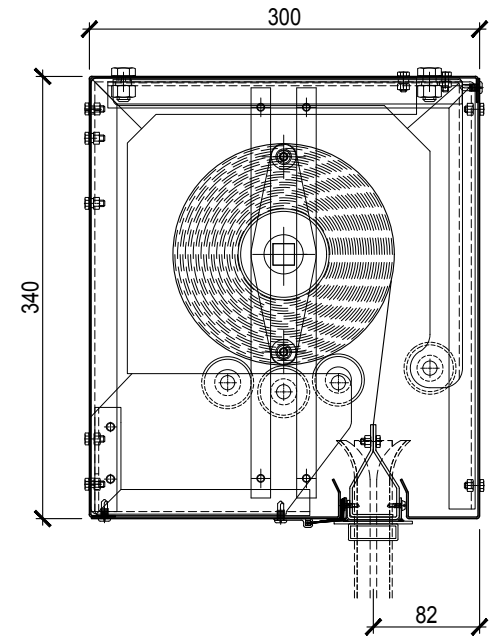
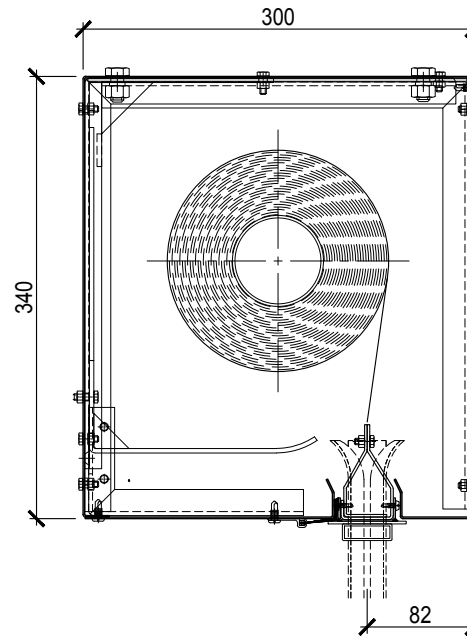
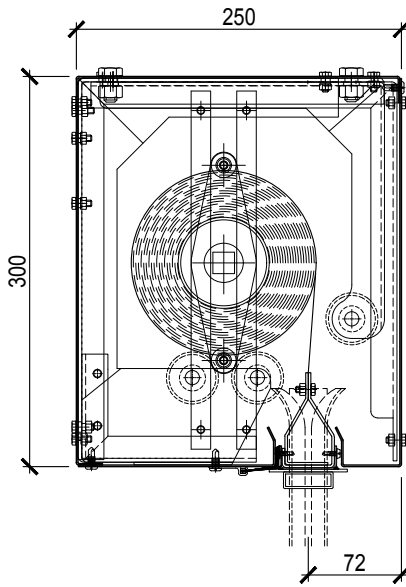
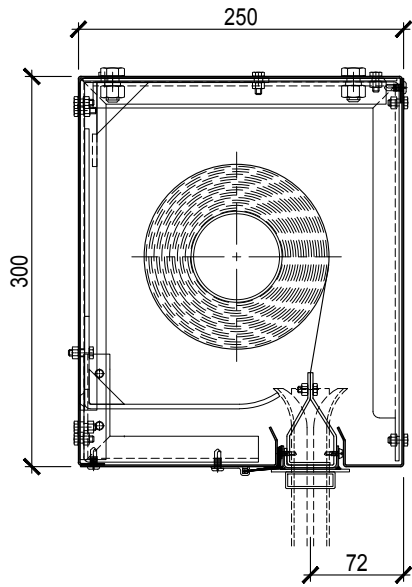
Edward House, Penner Road,
Havant, Hampshire, PO9 1QZ, UK

Tel: +44 (0) 23 9245 4405
Fax: +44 (0) 23 9249 2732

Email: info@coopersfire.com
Web: www.coopersfire.com

DRAWN: ML	TITLE: FIREMASTER EGRESS® WITH S. SEAL HEADBOX CONFIGURATION (DROP >4M <6M)
CHECKED: JR	© 1997-2016 A COOPER GROUP LIMITED ALL RIGHTS RESERVED. THIS DESIGN MAY NOT BE REPRODUCED IN ANY MATERIAL FORM, INCLUDING ELECTRONICALLY WITHOUT THE WRITTEN PERMISSION OF THE COPYRIGHT NAMES
APPROVED: CJL	ALL DIMENSION IN MILLIMETERS UNLESS OTHERWISE STATED
DRG. No. 602/141/MK	ISSUE: D
	DATE: 14.02.2017

FIREMASTER EGRESS® FIRE & SMOKE RATED CURTAIN HEADBOXING SECTIONS

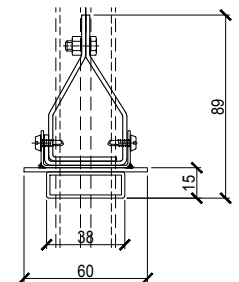


DROP	WIDTH
< 4M	< 5M

DROP	WIDTH
< 4M	> 5M <18M

DROP	WIDTH
> 4M < 6M	< 5M

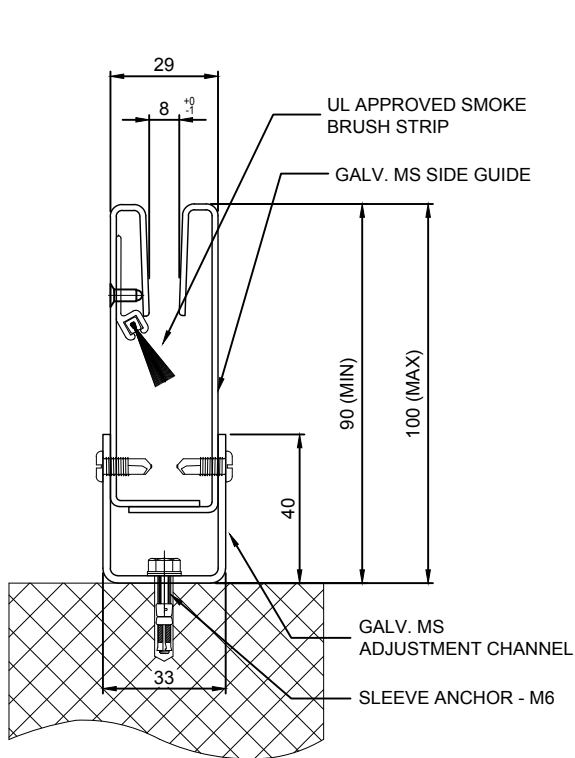
DROP	WIDTH
> 4M < 6M	> 5M <18M



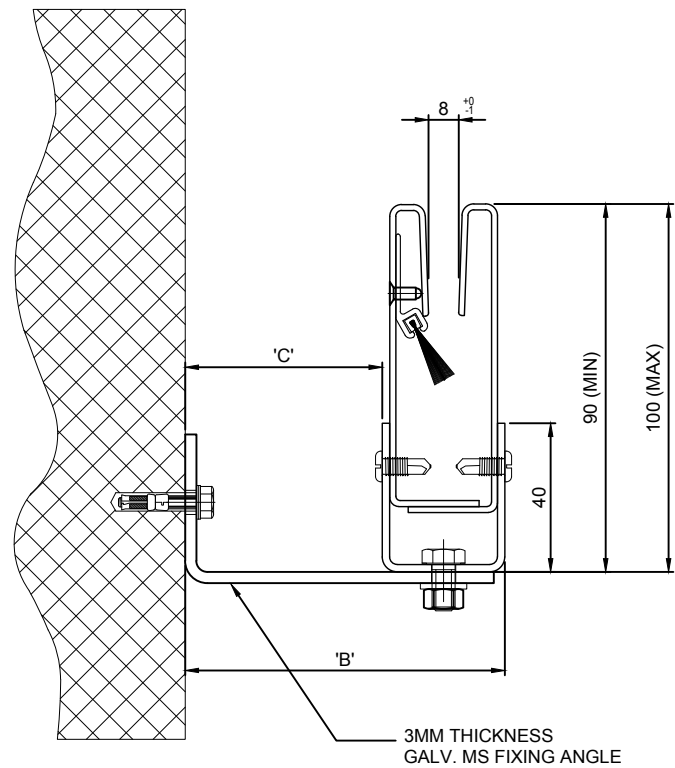
Edward House, Penner Road,
Havant, Hampshire, PO9 1QZ, UK
Tel: +44 (0) 23 9245 4405
Fax: +44 (0) 23 9249 2732
Email: info@coopersfire.com
Web: www.coopersfire.com

DRAWN: ML	TITLE: FIREMASTER EGRESS® HEADBOX CONFIGURATION	
CHECKED: JR	© 1997-2016 A COOPER GROUP LIMITED ALL RIGHTS RESERVED. THIS DESIGN MAY NOT BE REPRODUCED IN ANY MATERIAL FORM, INCLUDING ELECTRONICALLY WITHOUT THE WRITTEN PERMISSION OF THE COPYRIGHT NAMES	ALL DIMENSION IN MILLIMETERS UNLESS OTHERWISE STATED
APPROVED: CJL	DRG. No. 602/144/MK	ISSUE: C DATE: 28.07.2016

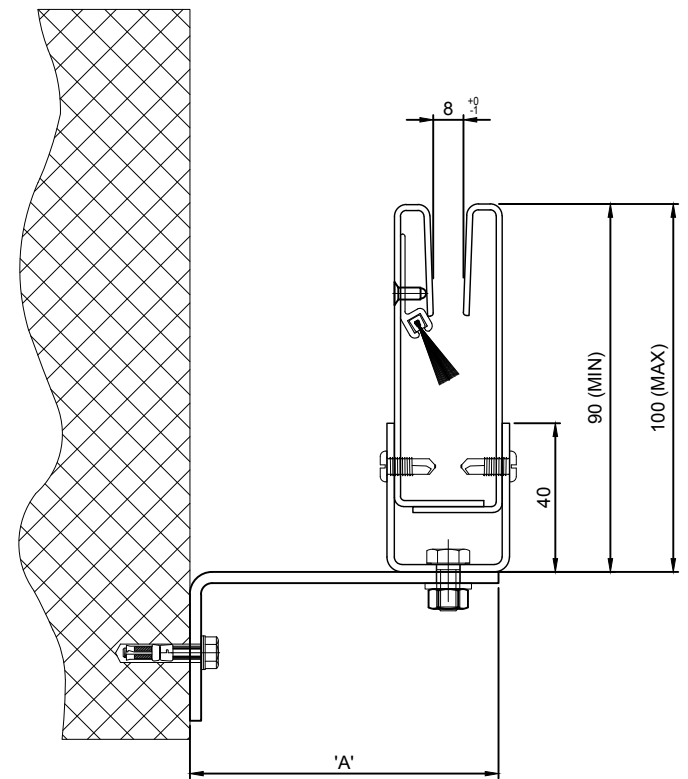
* DENOTES STANDARD SIZES, SIZES GREATER THAN STATED
PLEASE CONTACT COOPERS



SIDE MOUNTED
SIDE GUIDE DETAILS



REVERSE MOUNTED
SIDE GUIDE DETAILS (OPTION 1)



REVERSE MOUNTED
SIDE GUIDE DETAILS (OPTION 2)

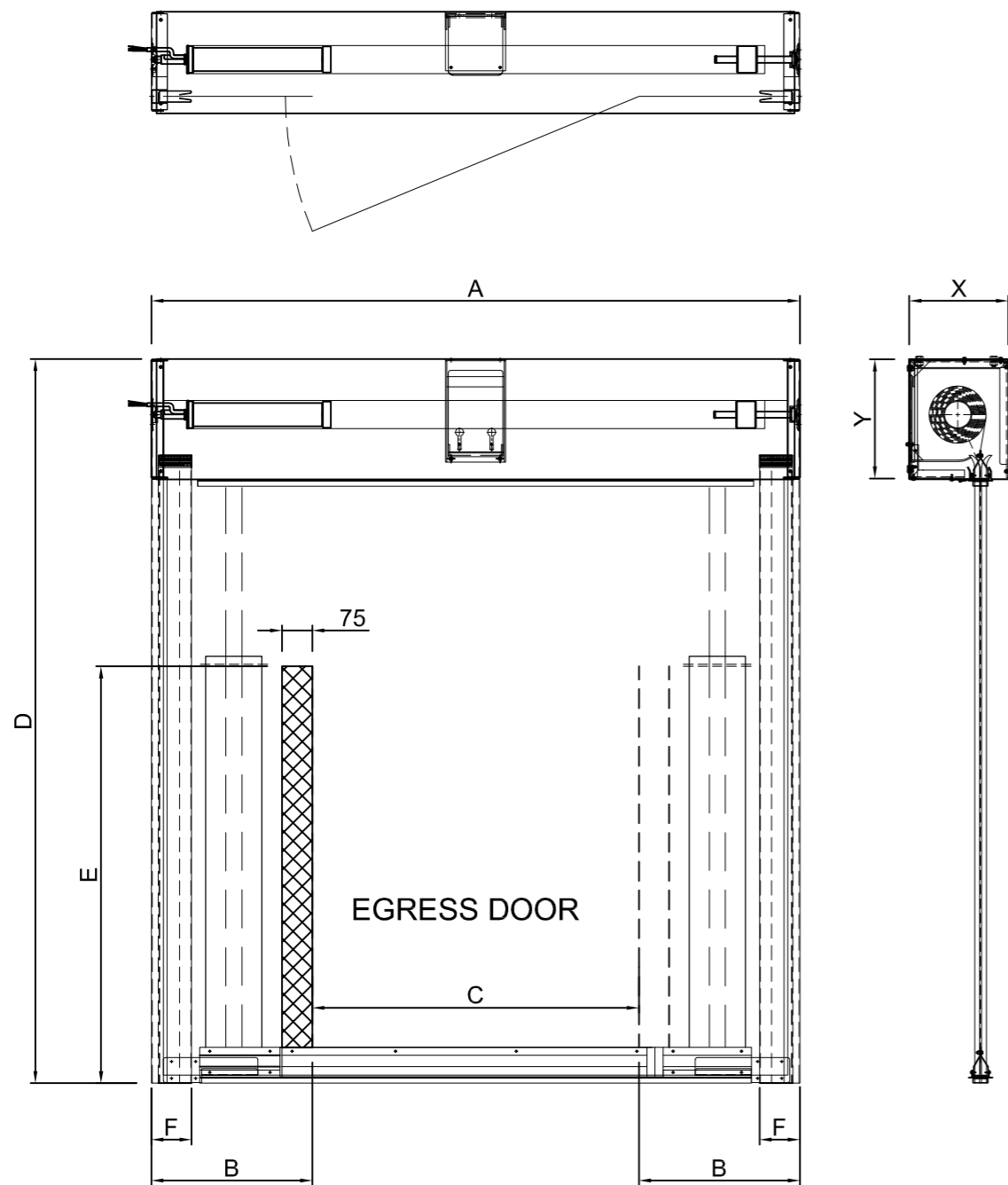


Edward House, Penner Road,
Havant, Hampshire, PO9 1QZ, UK
Tel: +44 (0) 23 9245 4405
Fax: +44 (0) 23 9249 2732
Email: info@coopersfire.com
Web: www.coopersfire.com

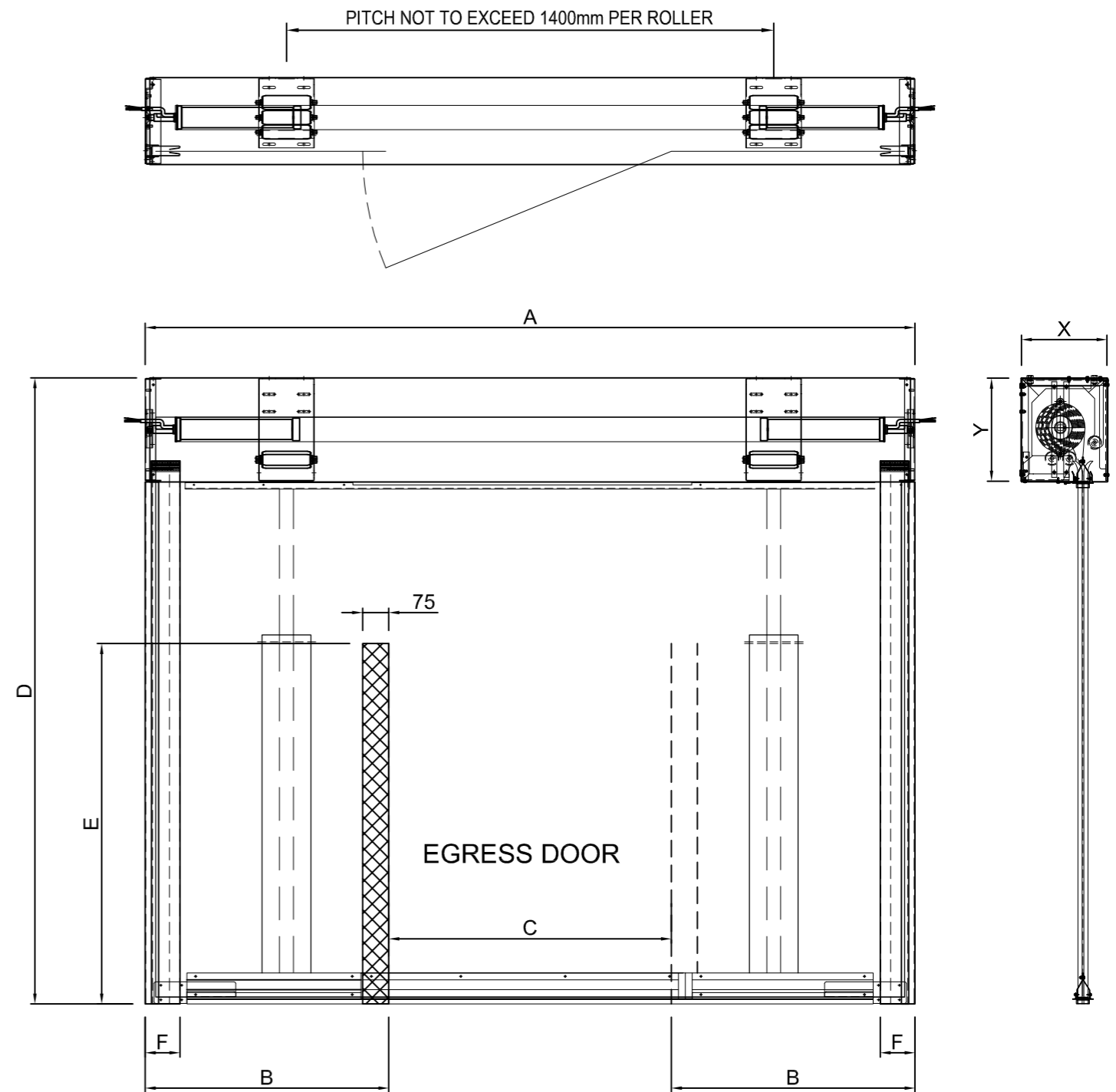
DRAWN:	TITLE:		
ML	FIREMASTER® EGRESS SIDE GUIDE WITH SMOKE SEAL		
CHECKED:	© 1997 A COOPER GROUP LIMITED ALL RIGHTS RESERVED. THIS DESIGN MAY NOT BE REPRODUCED IN ANY MATERIAL FORM, INCLUDING ELECTRONICALLY, WITHOUT THE WRITTEN PERMISSION OF THE COPYRIGHT NAMES	ALL DIMENSION IN MILLIMETERS UNLESS OTHERWISE STATED	
JR	DRG. No.	ISSUE:	D
APPROVED:	606/143/MK	DATE:	22.02.2017
CJL			

FIXING ANGLE DIMENSION			
HEADBOX	'A'	'B'	'C'
WSR25/30	83MM	86MM	55MM
WSR30/34	95MM	98MM	65MM

FIREMASTER® EGRESS ROLLER UNIT



A	B	C	D	E	F	X	Y
< 3.5M	Min. 300	Max. 1067	< 4M	Max. 2438	90~100	250	300
< 5.0M	Min. 650	Min. 812	< 6M				



A	B	C	D	E	F	X	Y
> 5.0M	Min. 870	Max. 1067	< 4M	Max. 2438	90~100	250	300
< 18M		Min. 812	< 6M				

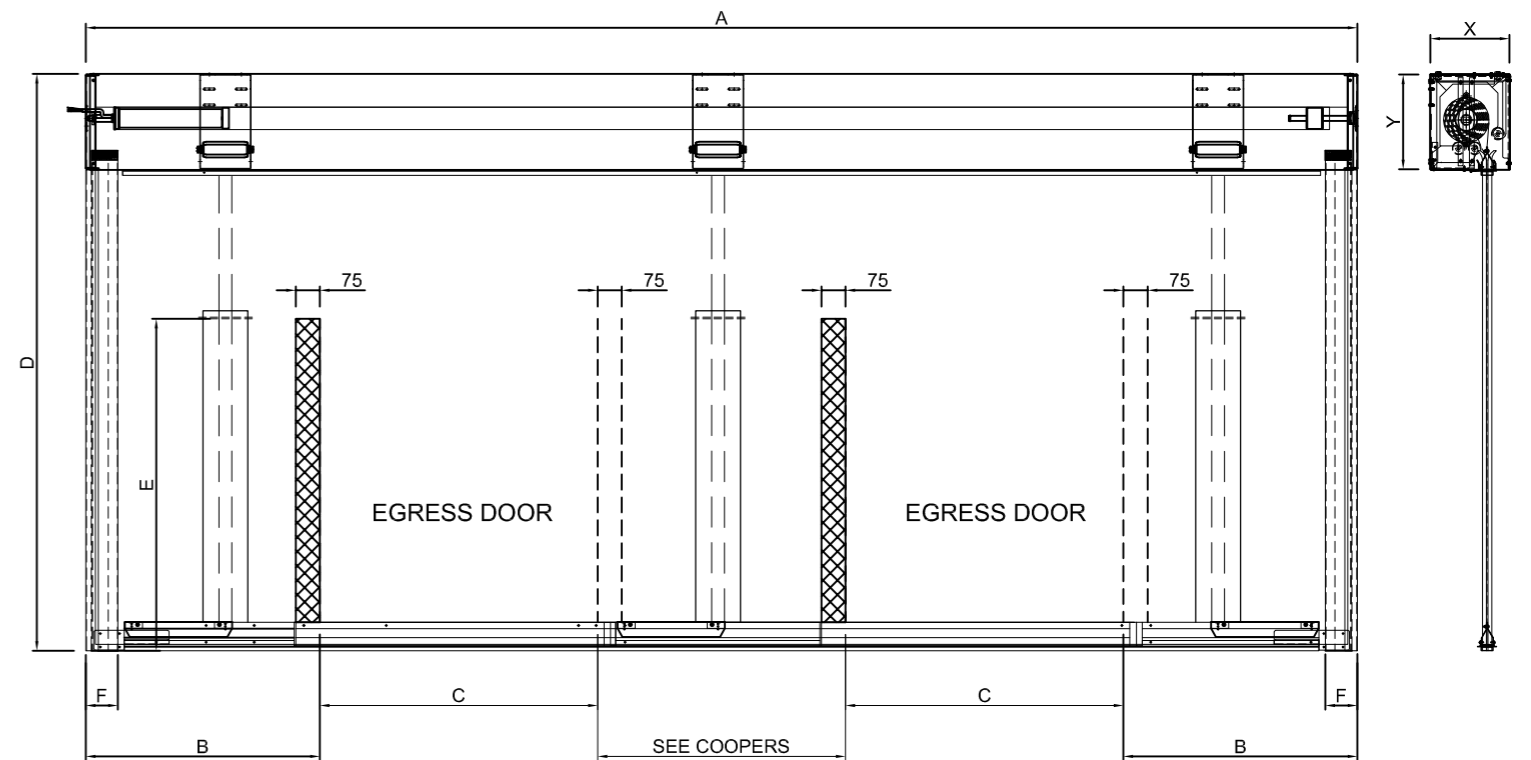
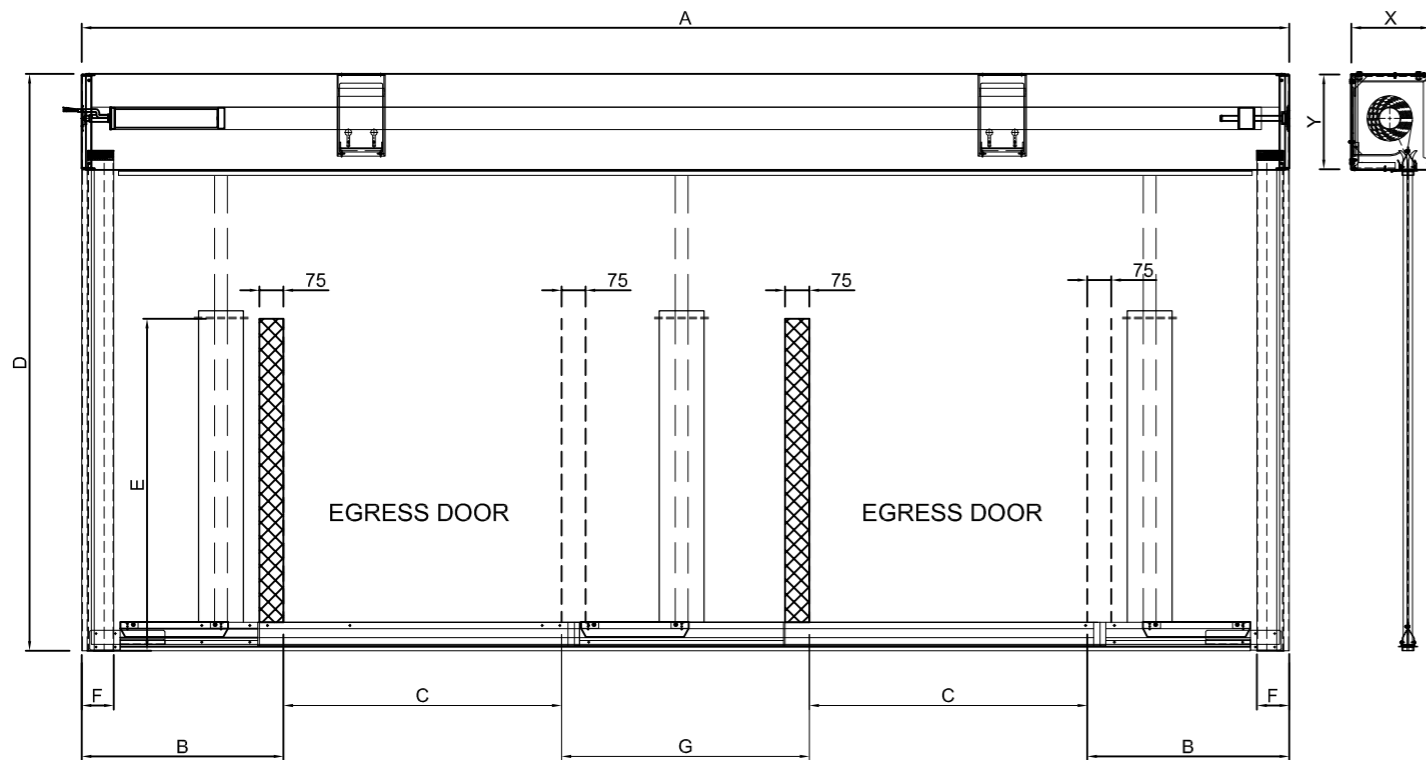
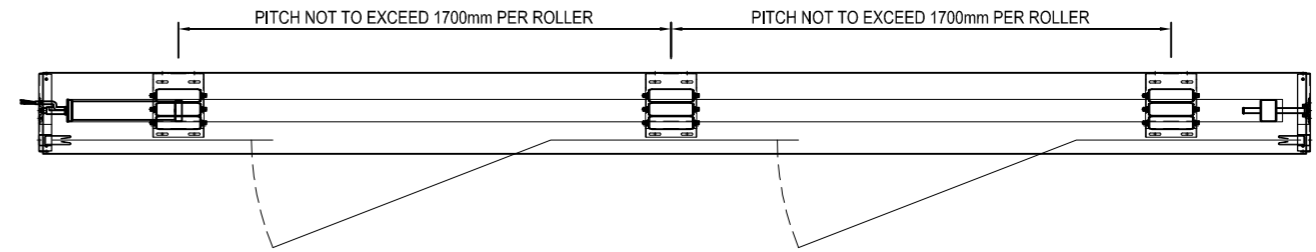
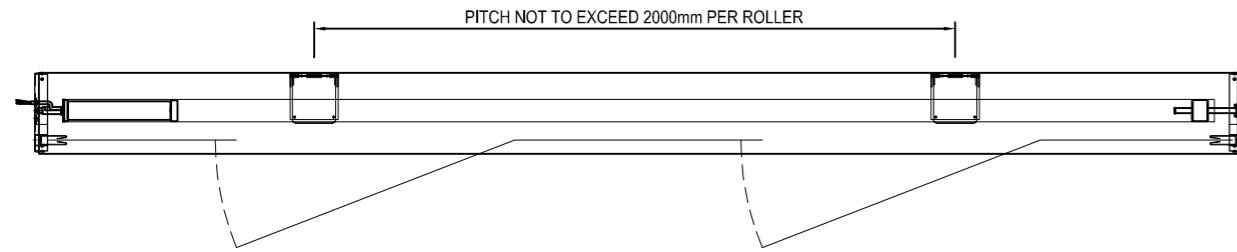


Edward House, Penner Road,
Havant, Hampshire, PO9 1QZ, UK
Tel: +44 (0) 23 9245 4405
Fax: +44 (0) 23 9249 2732
Email: info@coopersfire.com
Web: www.coopersfire.com

DRAWN: ML	TITLE: FIREMASTER® EGRESS SERIES MATRIX OF SIZES
CHECKED: JR	© 1997 A COOPER GROUP LIMITED ALL RIGHTS RESERVED. THIS DESIGN MAY NOT BE REPRODUCED IN ANY MATERIAL FORM, INCLUDING ELECTRONICALLY WITHOUT THE WRITTEN PERMISSION OF THE COPYRIGHT NAMES
APPROVED: CJL	ALL DIMENSION IN MILLIMETERS UNLESS OTHERWISE STATED
DRG. No. 602/142/MK	ISSUE: C DATE: 22.02.2017

NOTE: - SIZES OUTSIDE THESE STANDARDS - PLEASE CONTACT COOPERS

FIREMASTER® EGRESS SERIES ROLLER UNIT



A	B	C	D	E	F	G	X	Y
< 3.5M	Min. 630	Max. 1067 Min. 812	< 4M	Max. 2438	90~100	Min.780	250	300
< 5.0M			< 6M				300	340

A	B	C	D	E	F	X	Y
> 5.0M	Min. 750	Max. 1067 Min. 812	< 4M	Max. 2438	90~100	250	300
< 18M			< 6M				

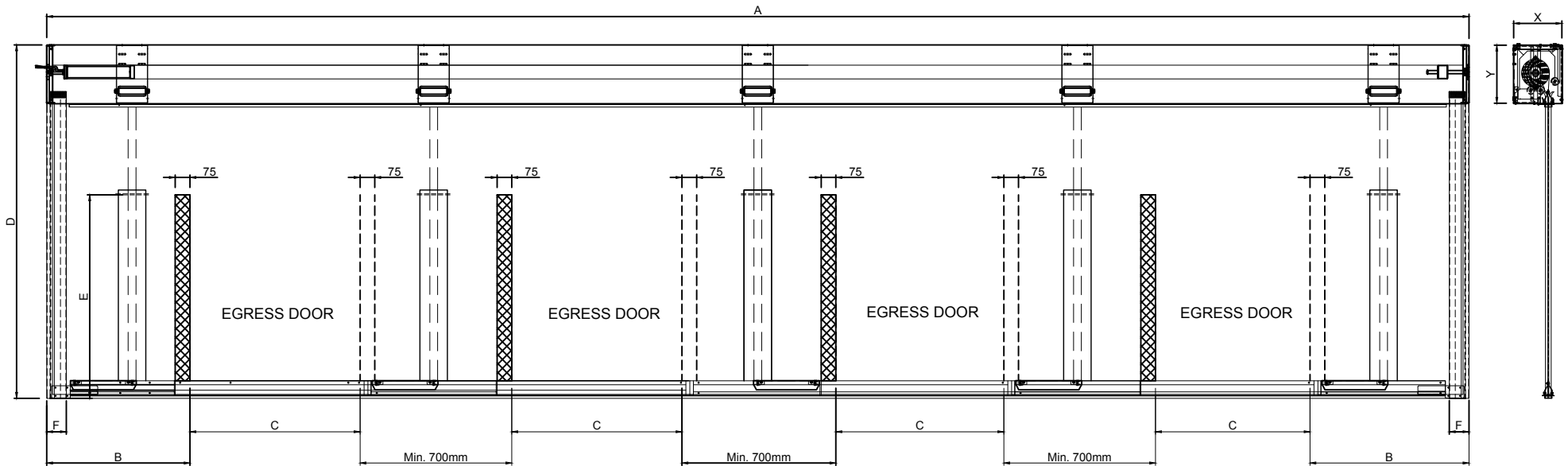
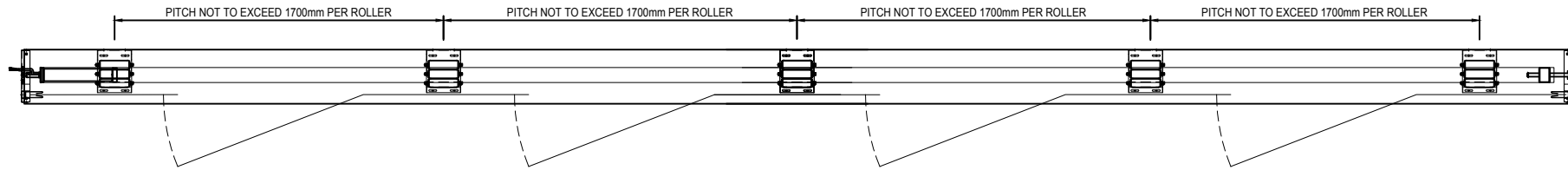
Edward House, Penner Road,
Havant, Hampshire, PO9 1QZ, UK

Tel: +44 (0) 23 9245 4405
Fax: +44 (0) 23 9249 2732
Email: info@coopersfire.com
Web: www.coopersfire.com

DRAWN: ML	TITLE: FIREMASTER® EGRESS MATRIX OF SIZES (DOUBLE DOORS)	
CHECKED: JR	© 1997 A COOPER GROUP LIMITED ALL RIGHTS RESERVED. THIS DESIGN MAY NOT BE REPRODUCED IN ANY MATERIAL FORM, INCLUDING ELECTRONICALLY WITHOUT THE WRITTEN PERMISSION OF THE COPYRIGHT NAMES	ALL DIMENSION IN MILLIMETERS UNLESS OTHERWISE STATED
APPROVED: CJL	DRG. No. 602/145/MK	ISSUE: C DATE: 22.02.2017

NOTE: - SIZES OUTSIDE THESE STANDARDS - PLEASE CONTACT COOPERS

FIREMASTER EGRESS® SERIES ROLLER UNIT



A	B	C	D	E	F	X	Y
> 7.0M < 18M	Min. 750	Max. 1067 Min. 812	< 4M	Max. 2438	90~100	250	300
			< 6M			300	340



Edward House, Penner Road,
Havant, Hampshire, PO9 1QZ, UK
Tel: +44 (0) 23 9245 4405
Fax: +44 (0) 23 9249 2732
Email: info@coopersfire.com
Web: www.coopersfire.com

DRAWN:	TITLE:	
JR	FIREMASTER EGRESS® MATRIX OF SIZES (FOUR DOORS)	
CHECKED:	© 1997 A COOPER GROUP LIMITED ALL RIGHTS RESERVED. THIS DESIGN MAY NOT BE REPRODUCED IN ANY MATERIAL FORM, INCLUDING ELECTRONICALLY WITHOUT THE WRITTEN PERMISSION OF THE COPYRIGHT NAMES	ALL DIMENSION IN MILLIMETERS UNLESS OTHERWISE STATED
ML	DRG. No.	ISSUE:
APPROVED:	602/154/MK	B
ML		DATE: 14.02.2017

NOTE: - SIZES OUTSIDE THESE STANDARDS - PLEASE CONTACT COOPERS