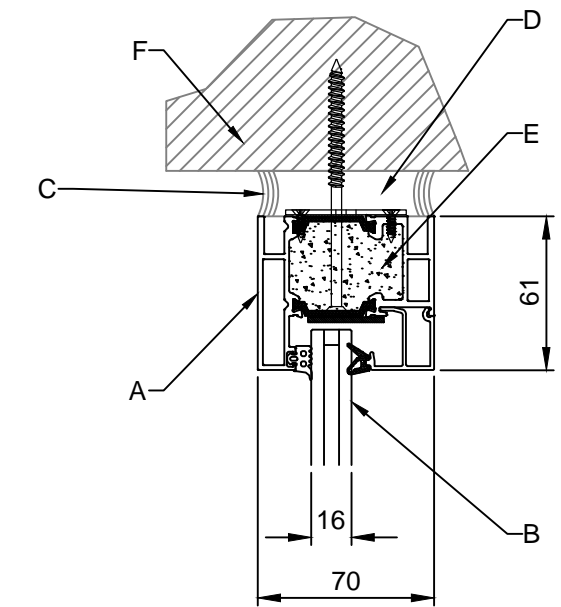
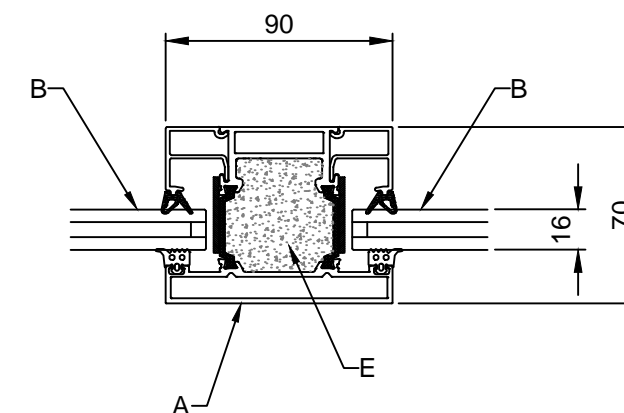


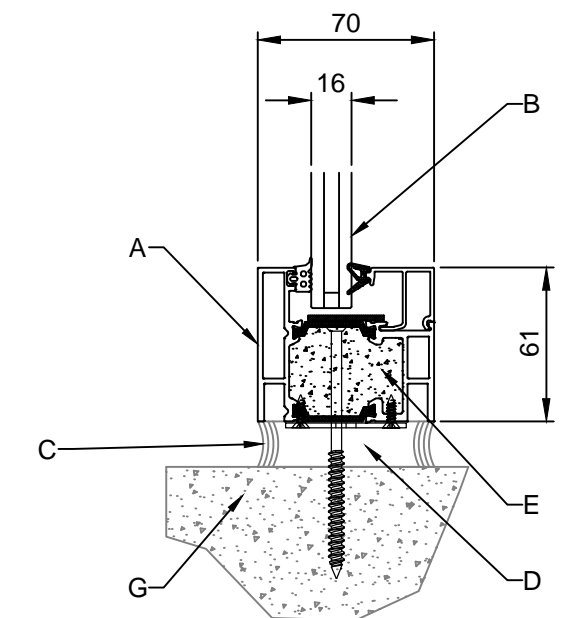
1 JAMB SECTION



3 HEAD SECTION



2 VERTICAL SECTION



4 BOTTOM SECTION

FIXED GLAZED  
WALL / WINDOW  
FRL -/120/45

ALUFLAM  
AF70  
VETROTECH  
CONTRAFLAM 30  
TOTAL THICKNESS: 16mm  
MAX GLASS PANEL SIZE:  
1500mm(W) X 3000mm(H)

A	ALUFLAM AF70 FRAME
B	CONTRAFLAM 30 FIRE-RATED GLASS (16mm THICK)
C	FIRE-RATED CAULKING/ SILICONE
D	MINERAL WOOL
E	FACTORY FILLED ALUFLAM FIRE-RATED CONCRETE CORE
F	120/120/120 FIRE-RATED WALL OF CONCRETE / PLASTERBOARD
G	CONCRETE SLAB

NOTE - SIZES OUTSIDE THESE STANDARDS - PLEASE CONTACT GREENE FIRE

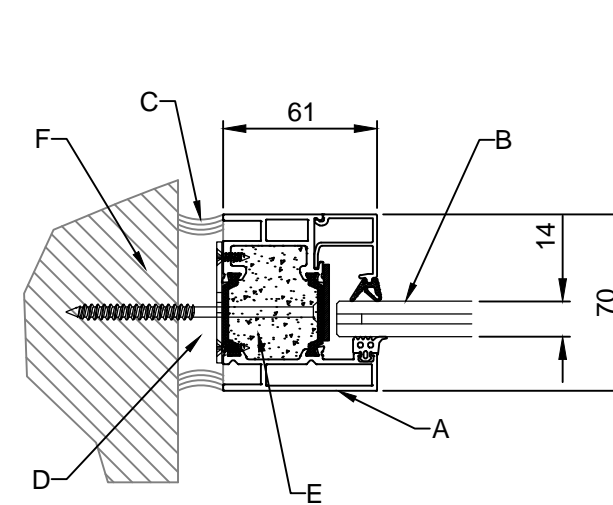
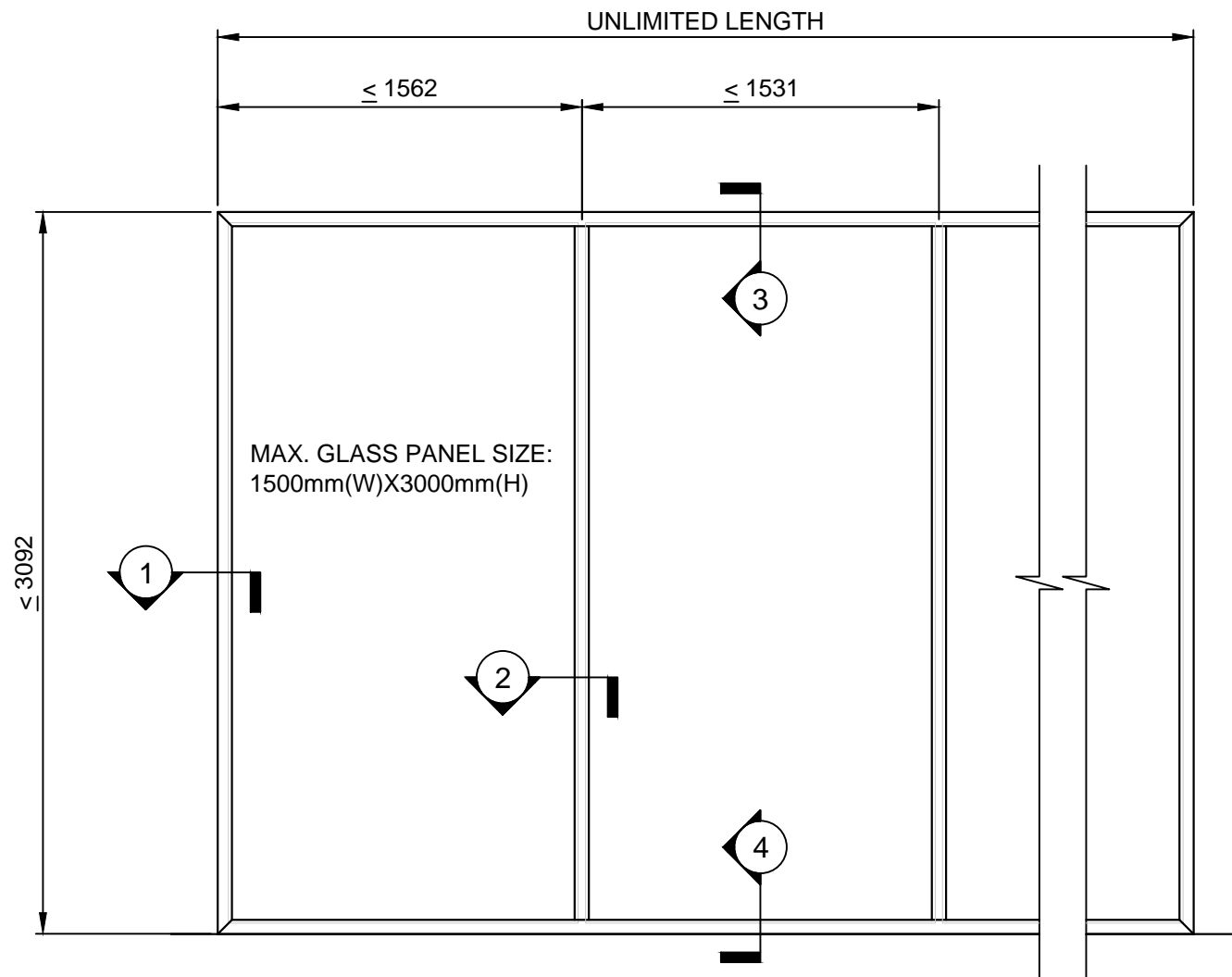


Unit 12, 7-11 Parraweena Road,  
Taren Point NSW 2229

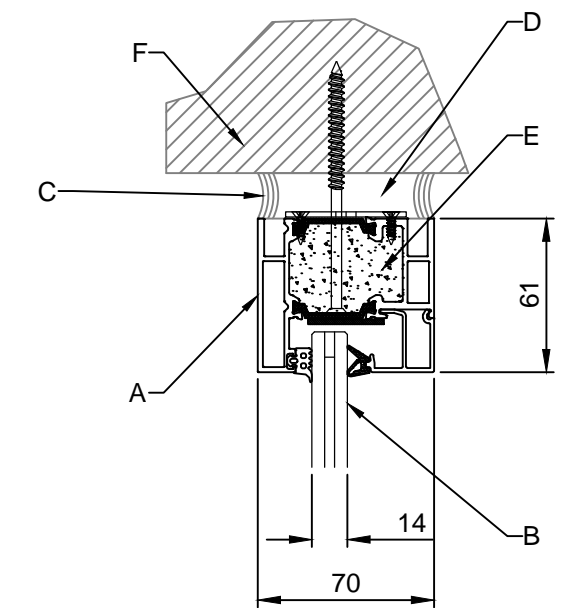
Tel: (02) 9526 3100  
Fax: (02) 9526 3111

Email: info@greenefire.com.au  
Web: www.greenefire.com.au

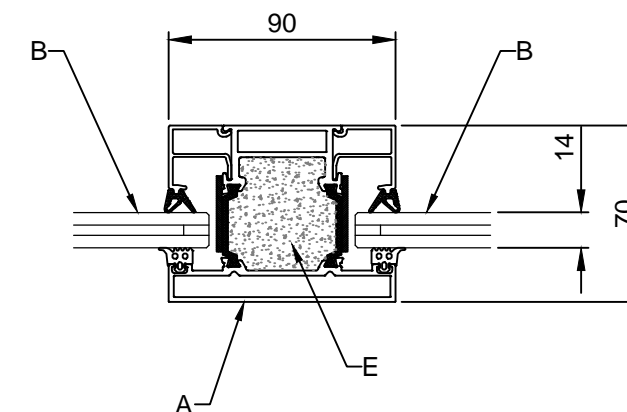
DRAWN: JC	TITLE: AF70 - CONTRAFLAM 30
CHECKED: CGE	ALL RIGHTS RESERVED. THIS DESIGN MAY NOT BE REPRODUCED IN ANY MATERIAL FORM, INCLUDING ELECTRONICALLY WITHOUT THE WRITTEN PERMISSION OF THE COPYRIGHT NAMES ALL DIMENSION IN MILLIMETERS UNLESS OTHERWISE STATED
APPROVED: CGE	DRAWING NO: AF70-CF30-01 ISSUE: A DATE: 16.11.2018



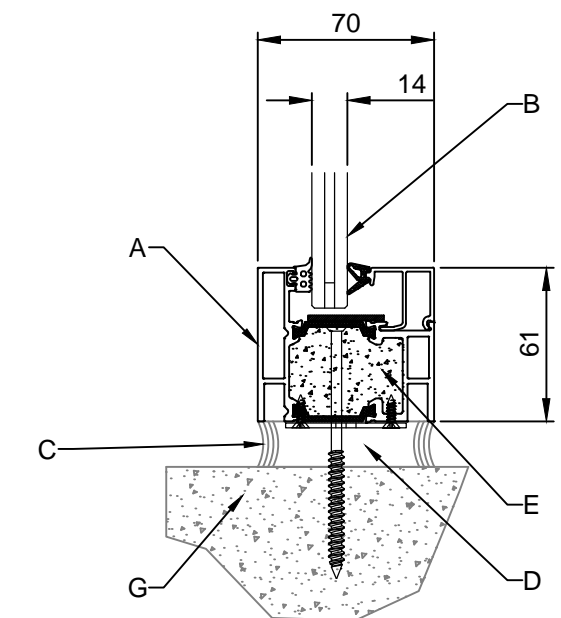
1 JAMB SECTION



3 HEAD SECTION



2 VERTICAL SECTION



4 BOTTOM SECTION

FIXED GLAZED  
WALL / WINDOW  
FRL -/60/45

ALUFLAM  
AF70  
VETROTECH  
CONTRAFLAM LITE 60  
TOTAL THICKNESS: 14mm  
MAX GLASS PANEL SIZE:  
1500mm(W) X 3000mm(H)

A	ALUFLAM AF70 FRAME
B	CONTRAFLAM LITE 60 FIRE-RATED GLASS (14mm THICK)
C	FIRE-RATED CAULKING/ SILICONE
D	MINERAL WOOL
E	FACTORY FILLED ALUFLAM FIRE-RATED CONCRETE CORE
F	120/120/120 FIRE-RATED WALL OF CONCRETE / PLASTERBOARD
G	CONCRETE SLAB

NOTE - SIZES OUTSIDE THESE STANDARDS - PLEASE CONTACT GREENE FIRE

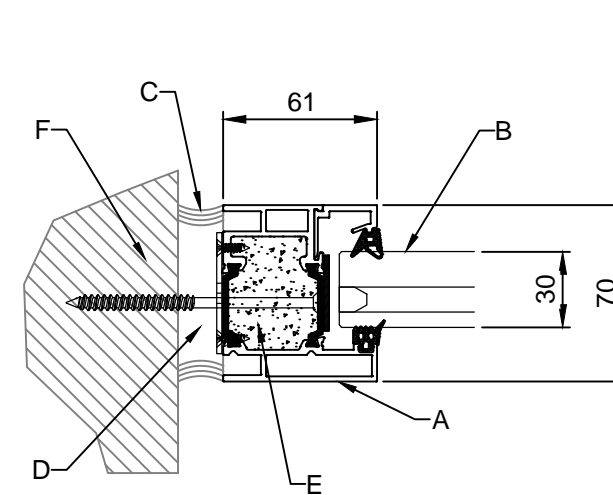
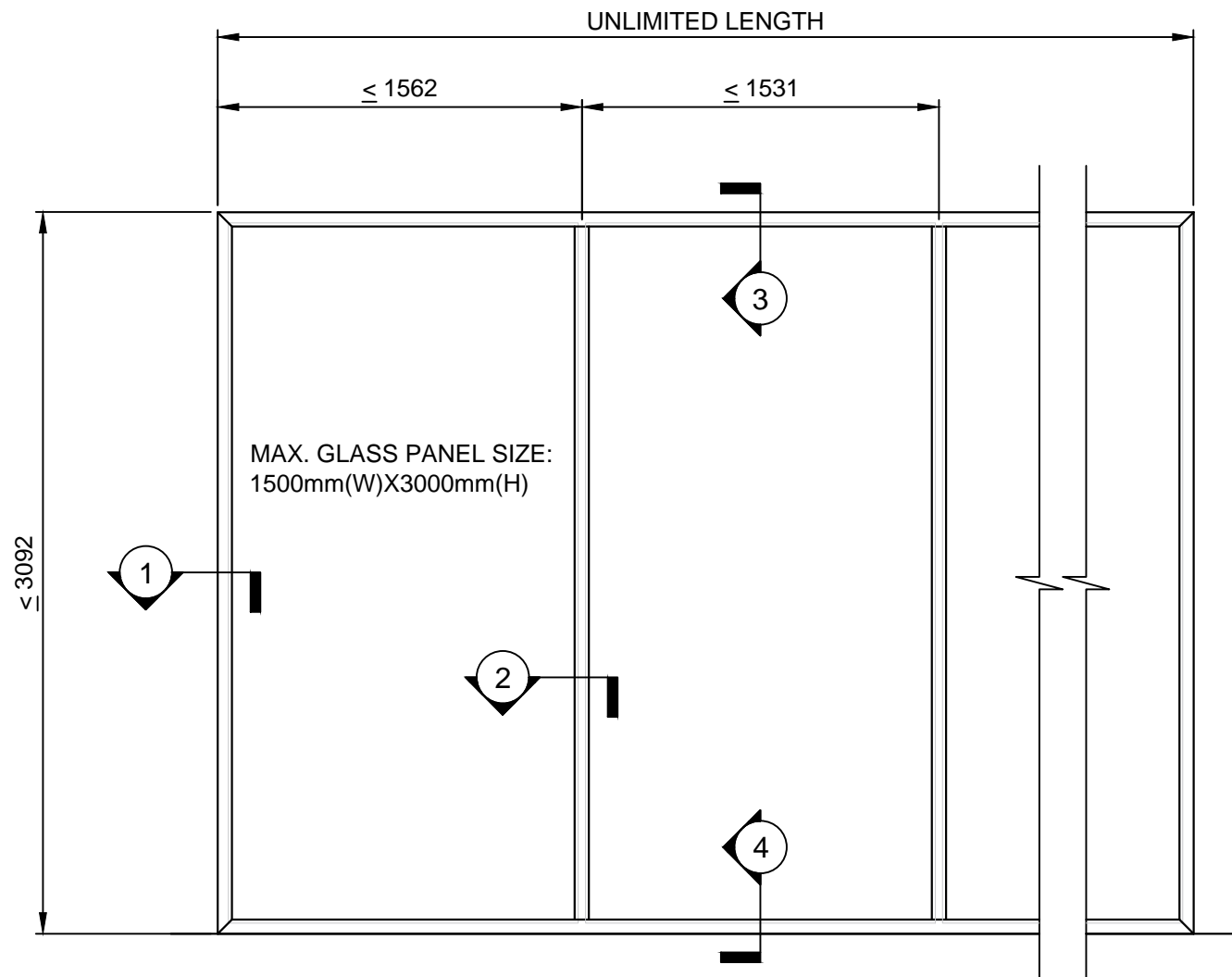


Unit 12, 7-11 Parraweena Road,  
Taren Point NSW 2229

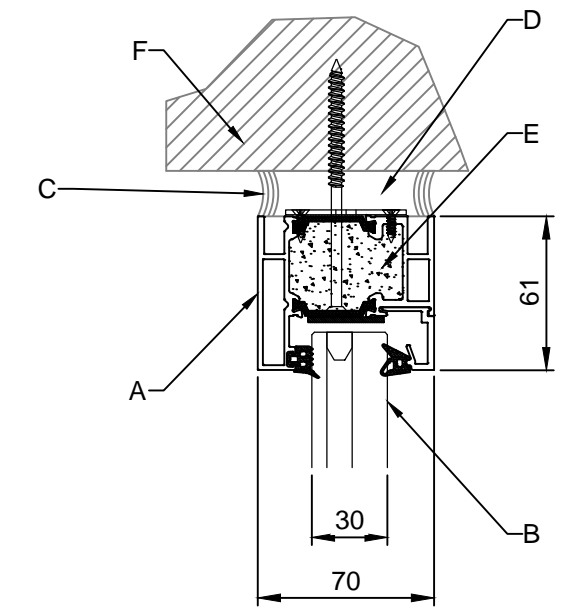
Tel: (02) 9526 3100  
Fax: (02) 9526 3111

Email: info@greenefire.com.au  
Web: www.greenefire.com.au

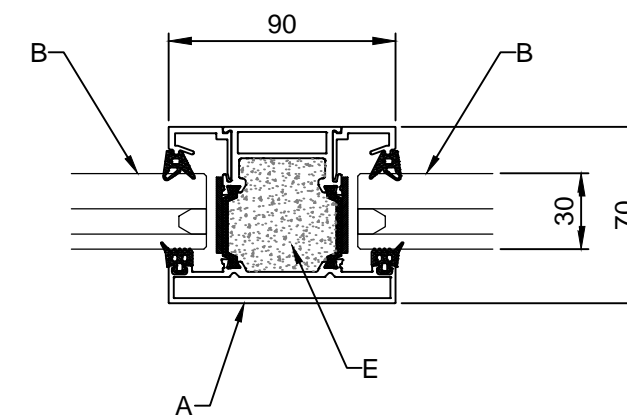
DRAWN: JC	TITLE: AF70 - CONTRAFLAM LITE 60	
CHECKED: CGE	ALL RIGHTS RESERVED. THIS DESIGN MAY NOT BE REPRODUCED IN ANY MATERIAL FORM, INCLUDING ELECTRONICALLY WITHOUT THE WRITTEN PERMISSION OF THE COPYRIGHT NAMES	ALL DIMENSION IN MILLIMETERS UNLESS OTHERWISE STATED
APPROVED: CGE	DRAWING NO: AF70-CFL60-01	ISSUE: A DATE: 16.11.2018



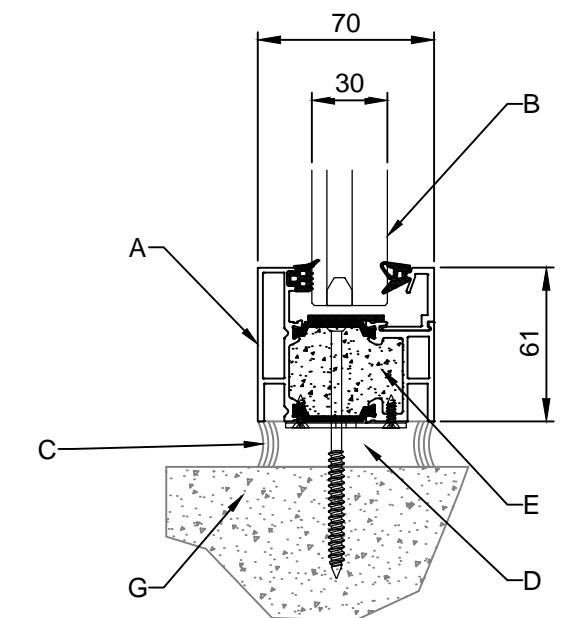
1 JAMB SECTION



3 HEAD SECTION



2 VERTICAL SECTION



4 BOTTOM SECTION

FIXED GLAZED  
WALL / WINDOW  
FRL -/120/45

ALUFLAM  
AF70  
VETROTECH  
CONTRAFLAM LITE 120  
TOTAL THICKNESS: 30mm  
MAX GLASS PANEL SIZE:  
1500mm(W) X 3000mm(H)

A	ALUFLAM AF70 FRAME
B	CONTRAFLAM LITE 120 FIRE-RATED GLASS (30mm THICK)
C	FIRE-RATED CAULKING/ SILICONE
D	MINERAL WOOL
E	FACTORY FILLED ALUFLAM FIRE-RATED CONCRETE CORE
F	120/120/120 FIRE-RATED WALL OF CONCRETE / PLASTERBOARD
G	CONCRETE SLAB

NOTE - SIZES OUTSIDE THESE STANDARDS - PLEASE CONTACT GREENE FIRE

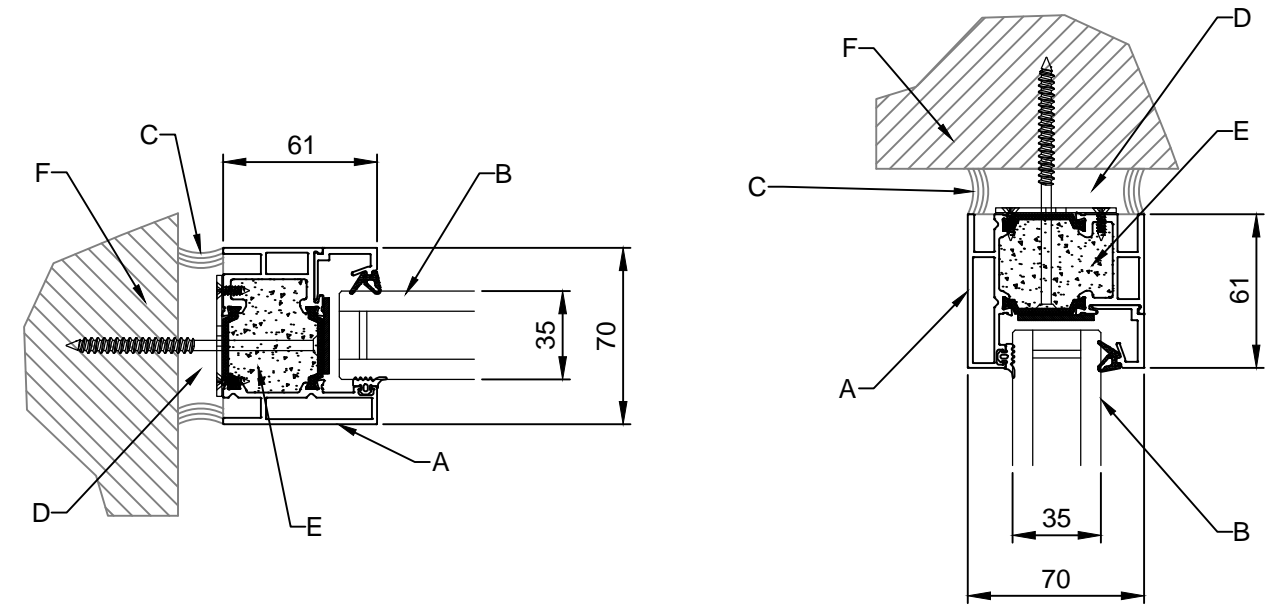
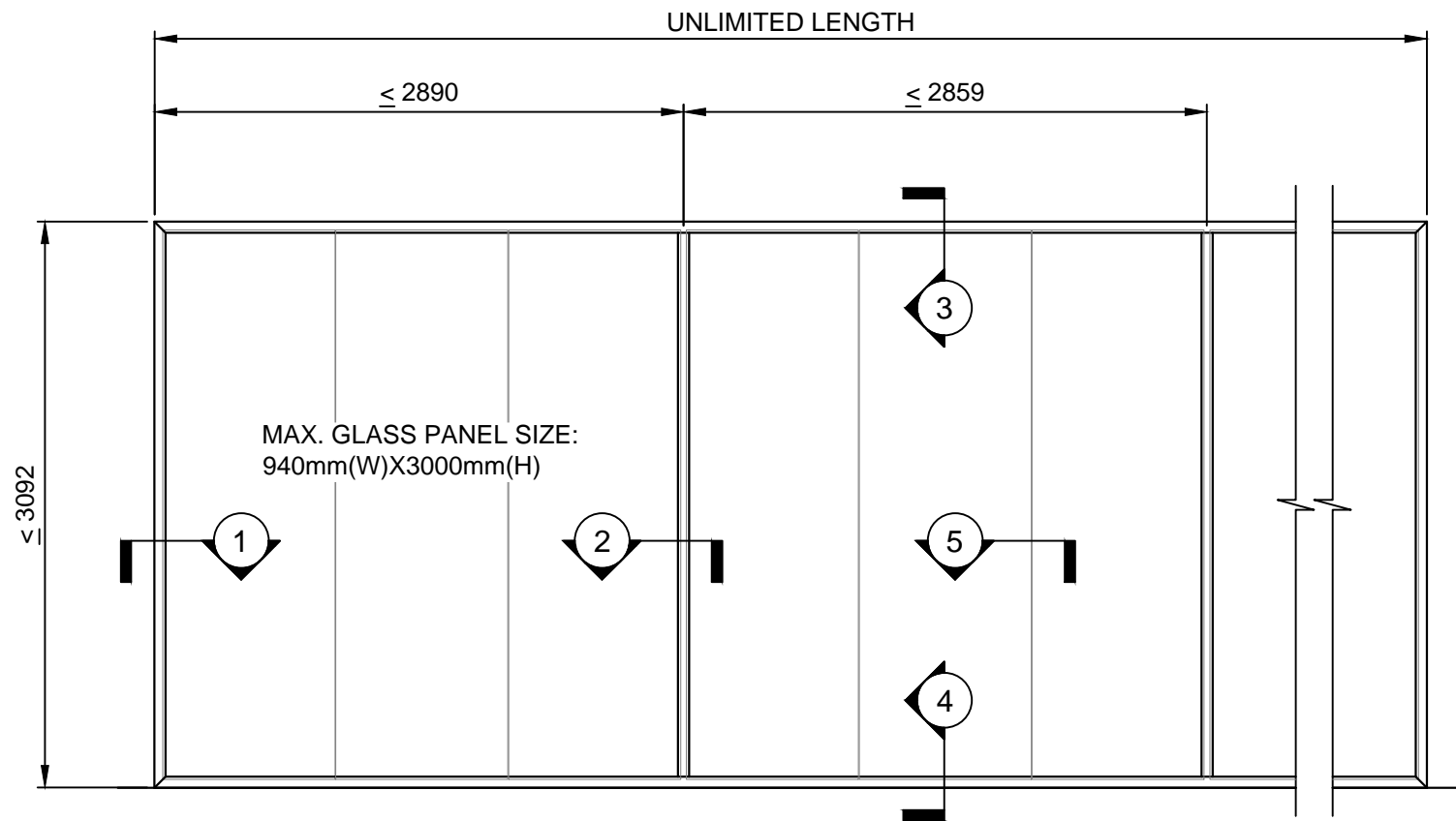


Unit 12, 7-11 Parraweena Road,  
Taren Point NSW 2229

Tel: (02) 9526 3100  
Fax: (02) 9526 3111

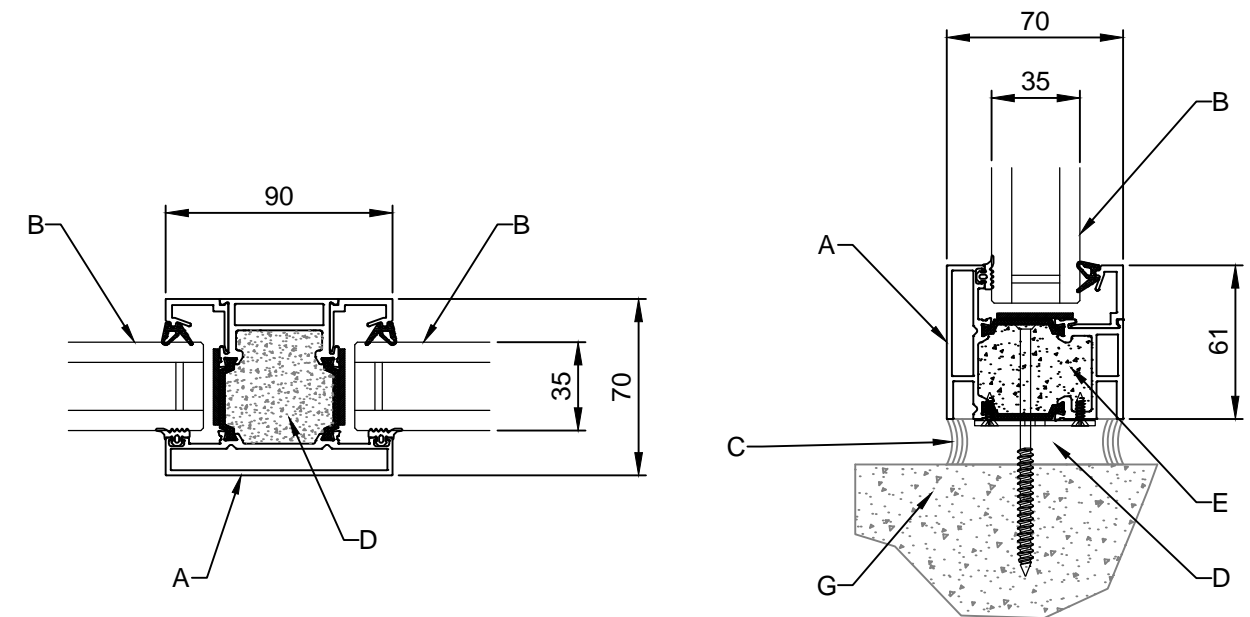
Email: info@greenefire.com.au  
Web: www.greenefire.com.au

DRAWN: JC	TITLE: AF70 - CONTRAFLAM LITE 120	
CHECKED: CGE	ALL RIGHTS RESERVED. THIS DESIGN MAY NOT BE REPRODUCED IN ANY MATERIAL FORM, INCLUDING ELECTRONICALLY WITHOUT THE WRITTEN PERMISSION OF THE COPYRIGHT NAMES	ALL DIMENSION IN MILLIMETERS UNLESS OTHERWISE STATED
APPROVED: CGE	DRAWING NO: AF70-CFL120-01	ISSUE: A DATE: 16.11.2018



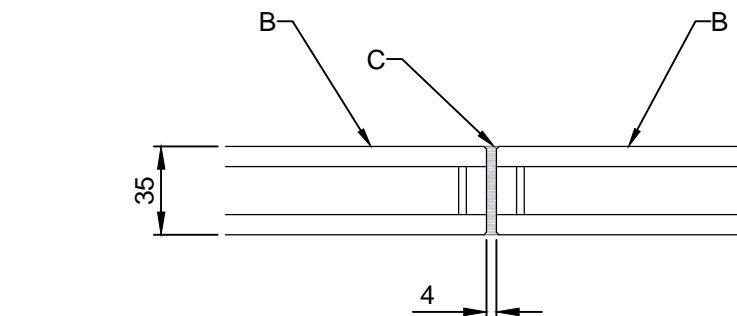
1 JAMB SECTION

3 HEAD SECTION



2 VERTICAL SECTION

4 BOTTOM SECTION



5 BUTT GLAZED JOINT SECTION

FIXED GLAZED  
WALL / WINDOW  
FRL -/64/64

ALUFLAM  
AF70  
FIREBLOCK 60  
TOTAL THICKNESS: 35mm  
MAX GLASS PANEL SIZE:  
940mm(W) X 3000mm(H)

A	ALUFLAM AF70 FRAME
B	FIREBLOCK 60 FIRE-RATED GLASS (35mm THICK)
C	FIRE-RATED CAULKING/ SILICONE
D	MINERAL WOOL
E	FACTORY FILLED ALUFLAM FIRE-RATED CONCRETE CORE
F	120/120/120 FIRE-RATED WALL OF CONCRETE / PLASTERBOARD
G	CONCRETE SLAB

NOTE - SIZES OUTSIDE THESE STANDARDS - PLEASE CONTACT GREENE FIRE

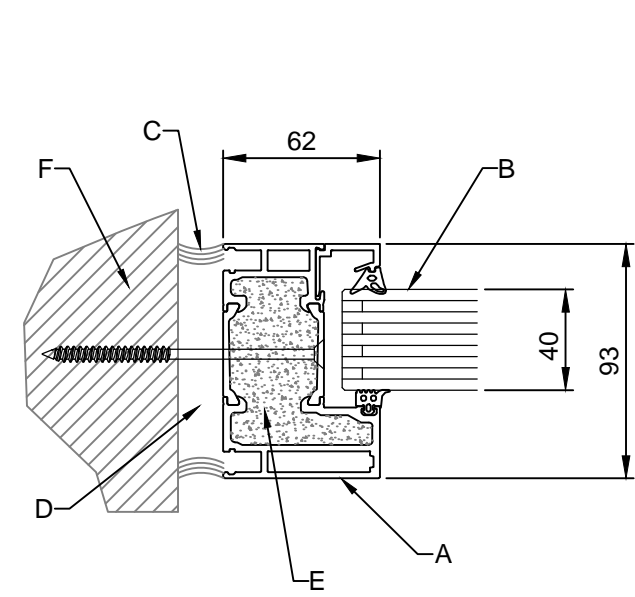
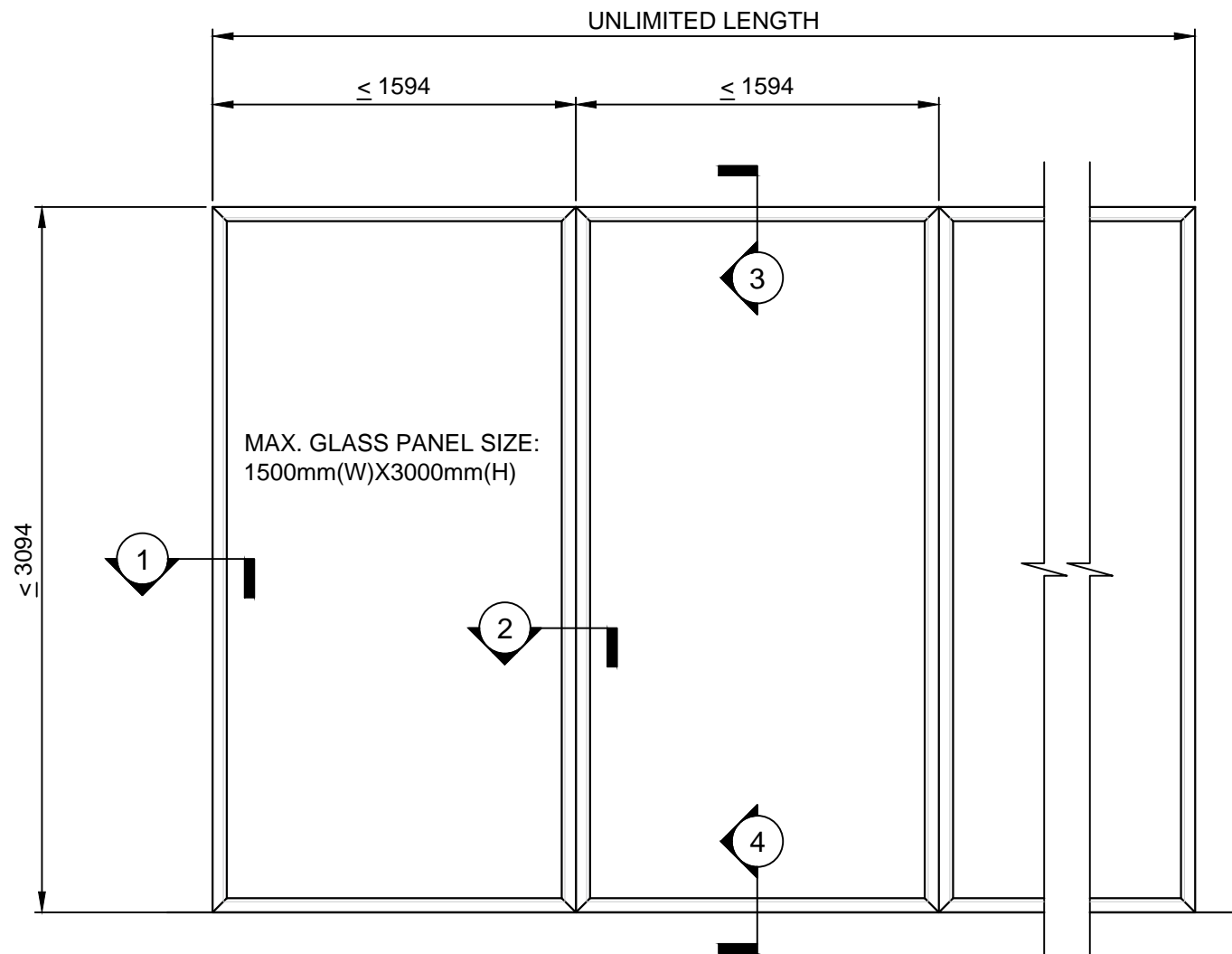


Unit 12, 7-11 Parraweena Road,  
Taren Point NSW 2229

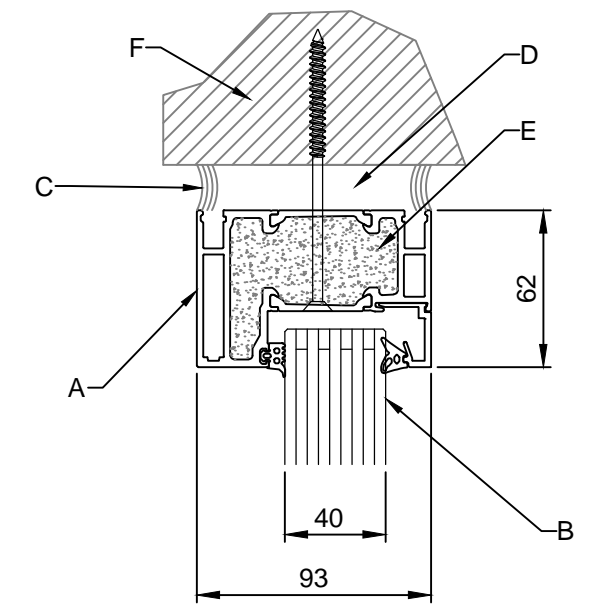
Tel: (02) 9526 3100  
Fax: (02) 9526 3111

Email: info@greenefire.com.au  
Web: www.greenefire.com.au

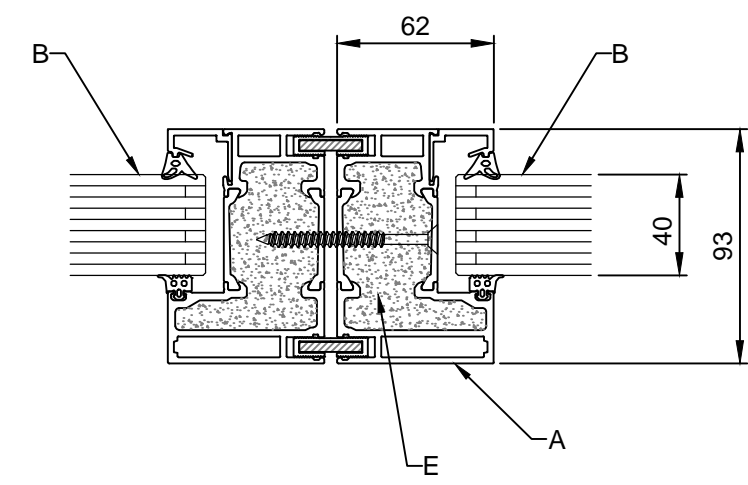
DRAWN: JC	TITLE: AF70 - FIREBLOCK 60	
CHECKED: CGE	ALL RIGHTS RESERVED. THIS DESIGN MAY NOT BE REPRODUCED IN ANY MATERIAL FORM, INCLUDING ELECTRONICALLY WITHOUT THE WRITTEN PERMISSION OF THE COPYRIGHT NAMES	ALL DIMENSION IN MILLIMETERS UNLESS OTHERWISE STATED
APPROVED: CGE	DRAWING NO: AF70-FB60-01	ISSUE: A DATE: 16.11.2018



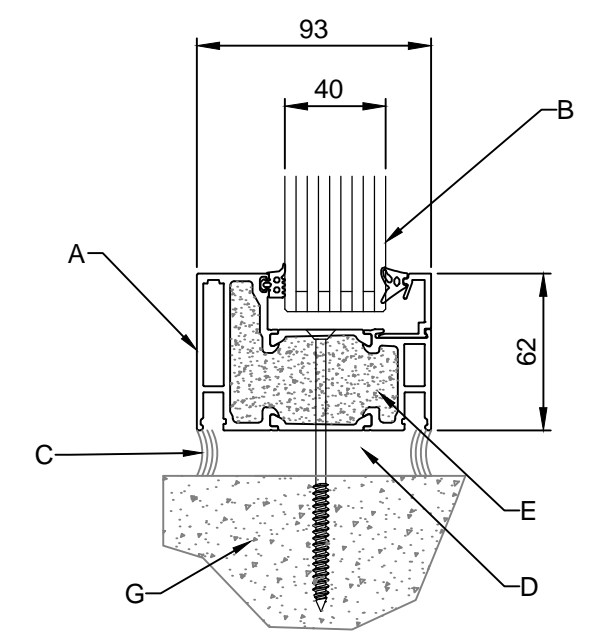
1 JAMB SECTION



3 HEAD SECTION



2 VERTICAL SECTION



4 BOTTOM SECTION

FIXED GLAZED  
WALL / WINDOW  
FRL -/120/90

ALUFLAM  
AF91  
VETROTECH  
CONTRAFLAM 90  
TOTAL THICKNESS: 40mm  
MAX GLASS PANEL SIZE:  
1500mm(W) X 3000mm(H)

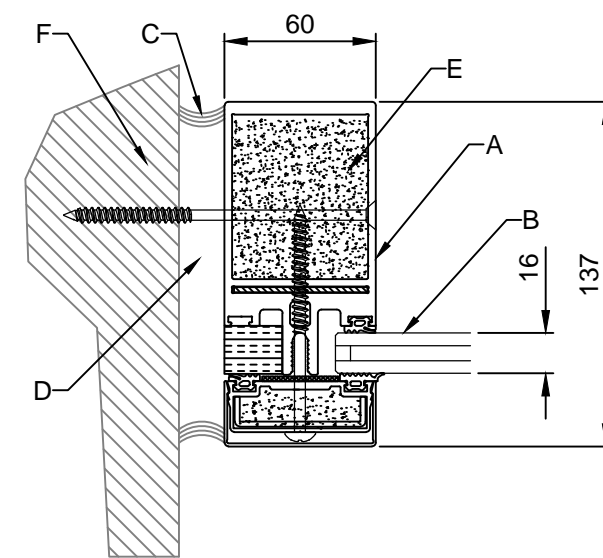
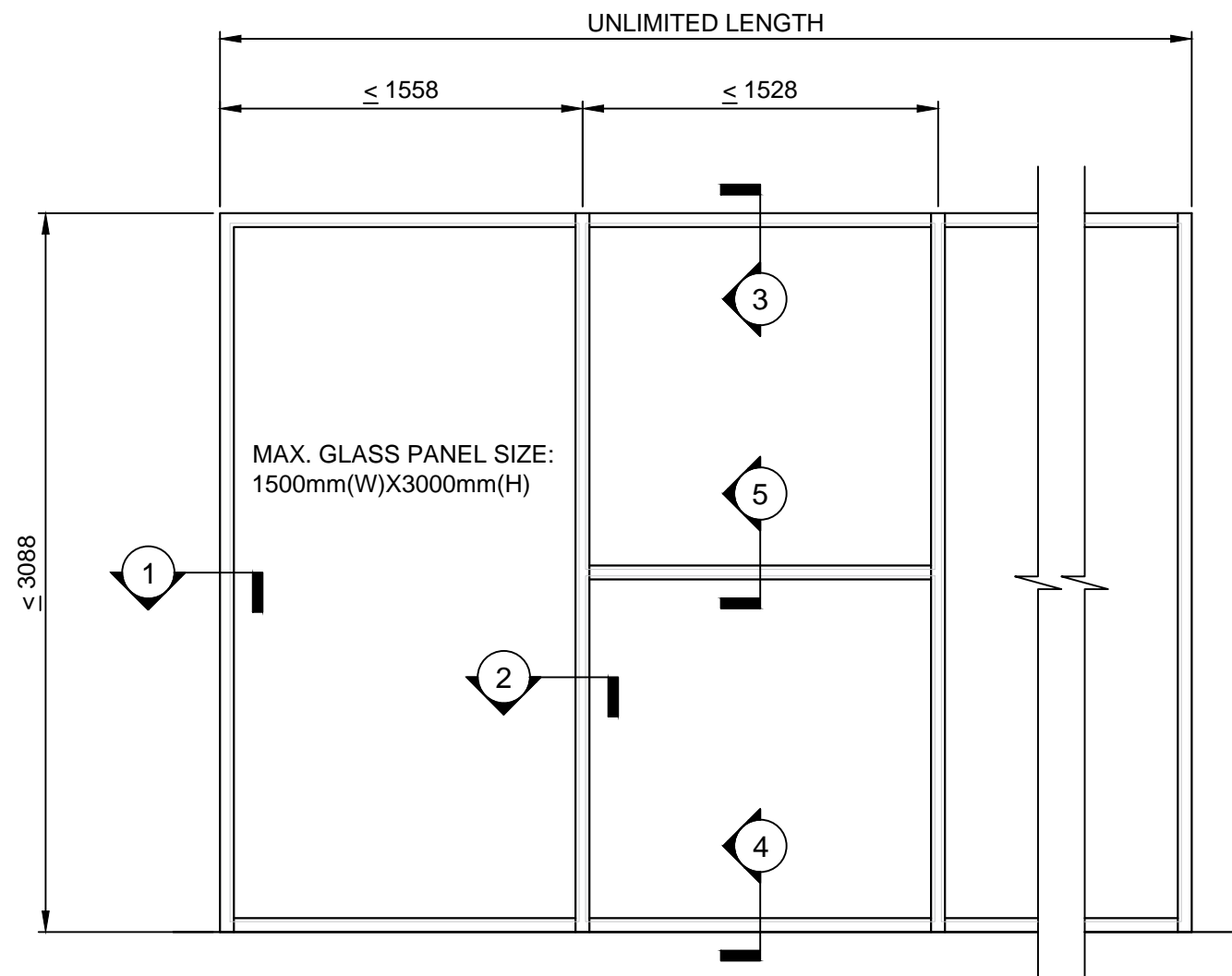
A	ALUFLAM AF91 FRAME
B	CONTRAFLAM 90 FIRE-RATED GLASS (40mm THICK)
C	FIRE-RATED CAULKING/ SILICONE
D	MINERAL WOOL
E	FACTORY FILLED ALUFLAM FIRE-RATED CONCRETE CORE
F	120/120/120 FIRE-RATED WALL OF CONCRETE / PLASTERBOARD
G	CONCRETE SLAB

NOTE - SIZES OUTSIDE THESE STANDARDS - PLEASE CONTACT GREENE FIRE

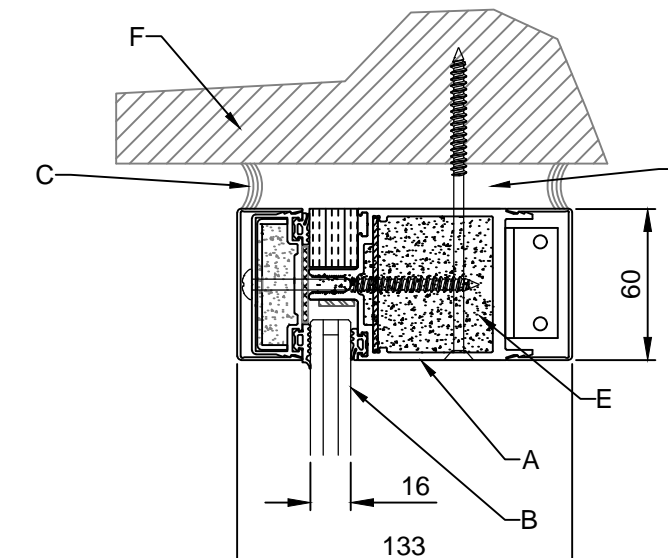


Unit 12, 7-11 Parraweena Road,  
Taren Point NSW 2229  
Tel: (02) 9526 3100  
Fax: (02) 9526 3111  
Email: info@greenefire.com.au  
Web: www.greenefire.com.au

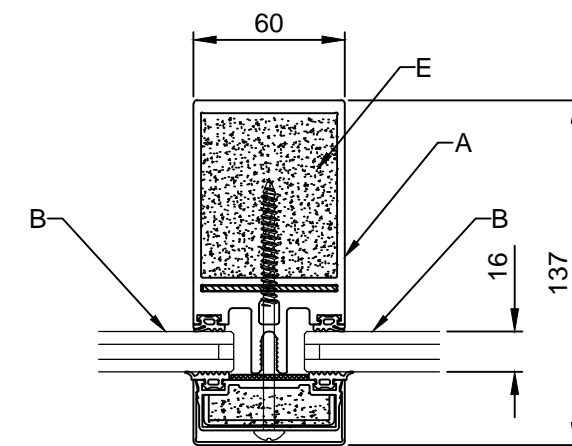
DRAWN: JC	TITLE: AF91 - CONTRAFLAM 90	
CHECKED: CGE	ALL RIGHTS RESERVED. THIS DESIGN MAY NOT BE REPRODUCED IN ANY MATERIAL FORM, INCLUDING ELECTRONICALLY WITHOUT THE WRITTEN PERMISSION OF THE COPYRIGHT NAMES	ALL DIMENSION IN MILLIMETERS UNLESS OTHERWISE STATED
APPROVED: CGE	DRAWING NO: AF91-CF90-01	ISSUE: A DATE: 16.11.2018



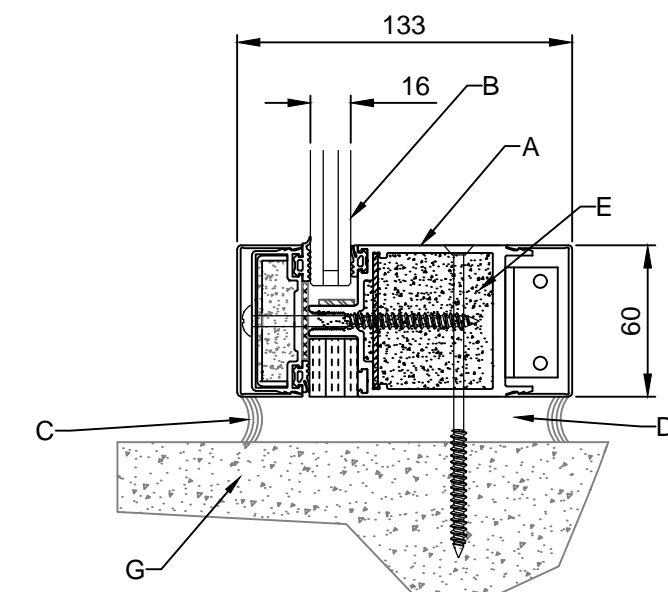
1 JAMB SECTION



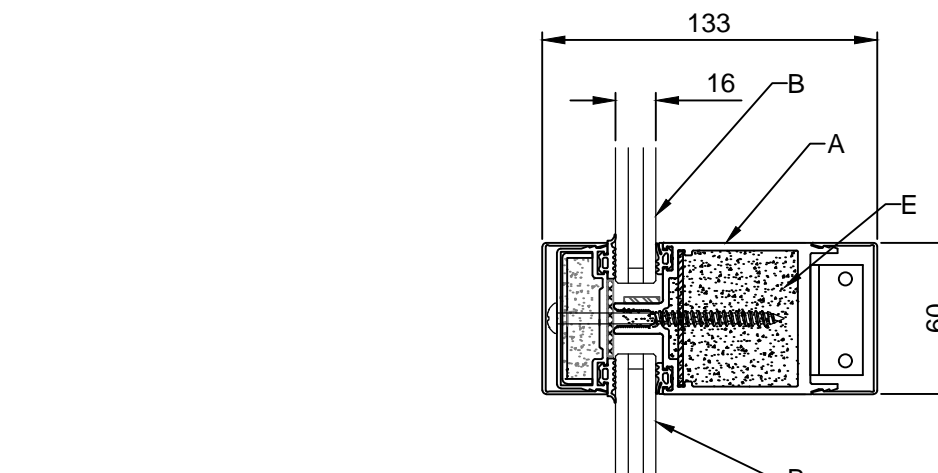
3 HEAD SECTION



2 VERTICAL SECTION



4 BOTTOM SECTION



5 HORIZONTAL SECTION

FIXED GLAZED  
WALL / WINDOW  
FRL -/120/45

ALUFLAM  
AW60  
VETROTECH  
CONTRAFLAM 30  
TOTAL THICKNESS: 16mm  
MAX GLASS PANEL SIZE:  
1500mm(W) X 3000mm(H)

A	ALUFLAM AW60 FRAME
B	CONTRAFLAM 30 FIRE-RATED GLASS (16mm THICK)
C	FIRE-RATED CAULKING/ SILICONE
D	MINERAL WOOL
E	FACTORY FILLED ALUFLAM FIRE-RATED CONCRETE CORE
F	120/120/120 FIRE-RATED WALL OF CONCRETE / PLASTERBOARD
G	CONCRETE SLAB

NOTE - SIZES OUTSIDE THESE STANDARDS - PLEASE CONTACT GREENE FIRE

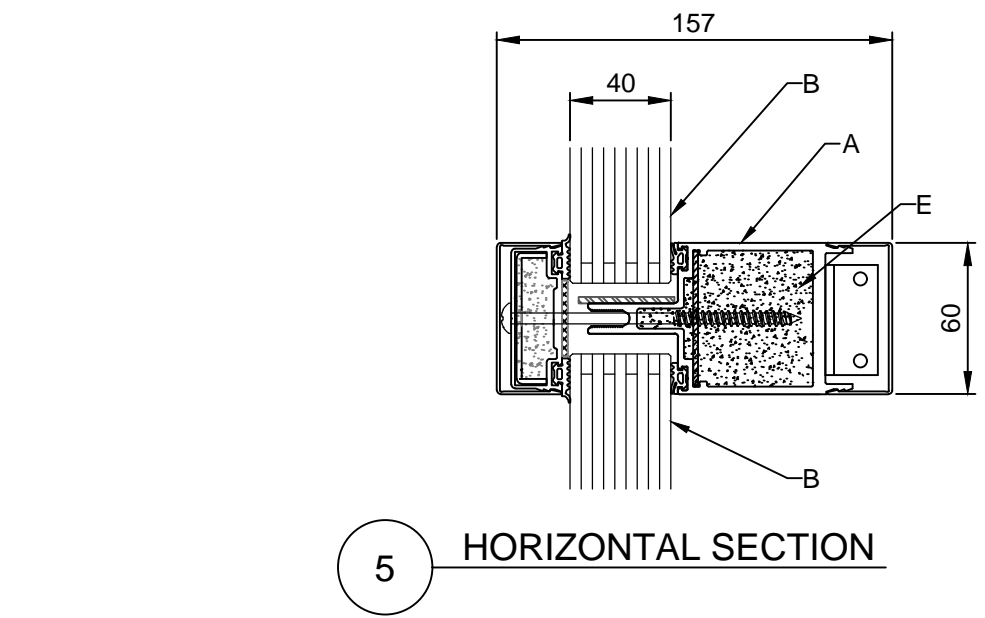
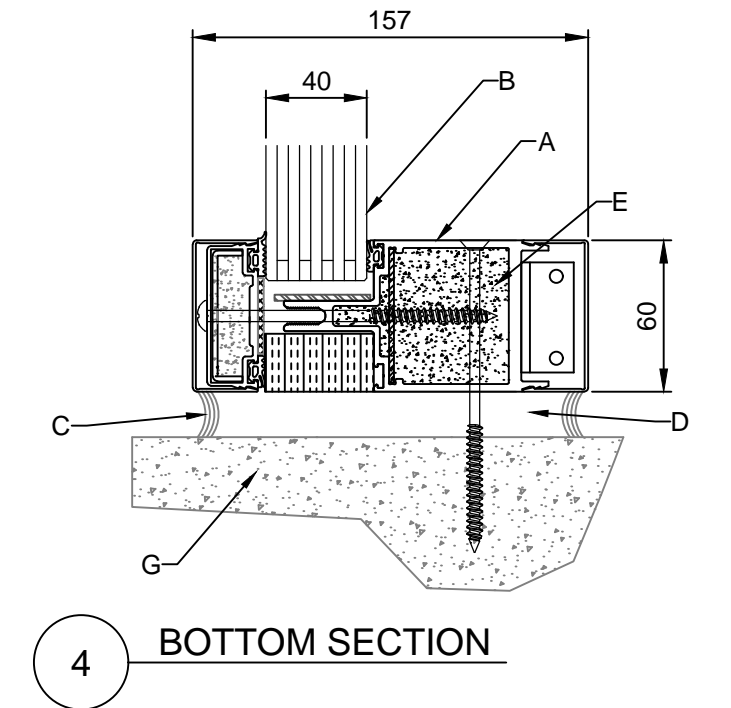
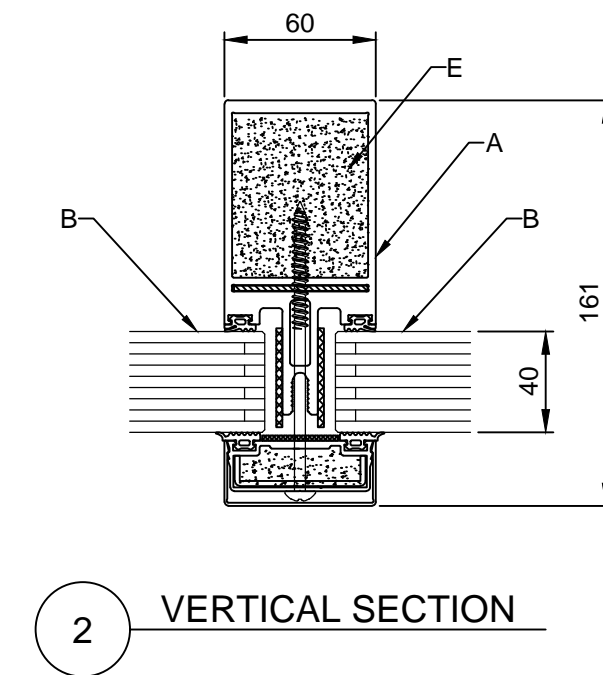
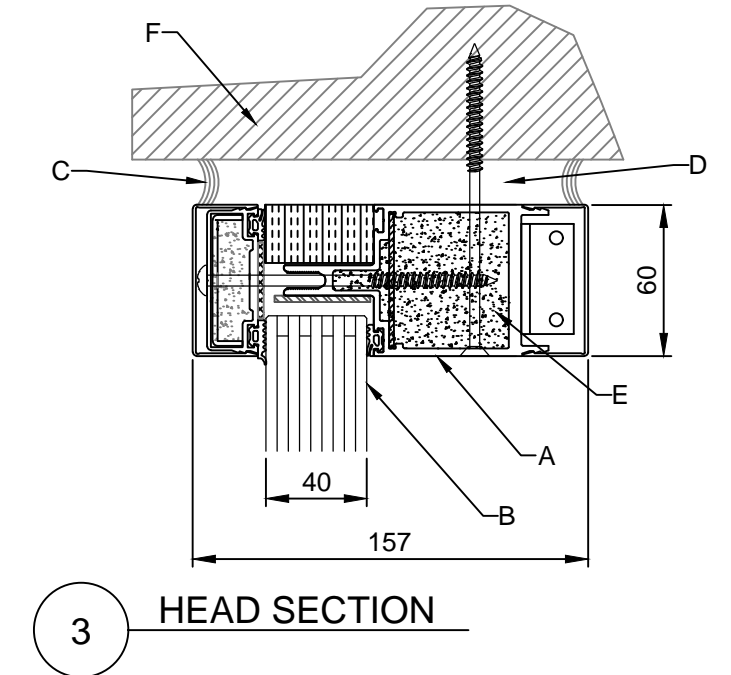
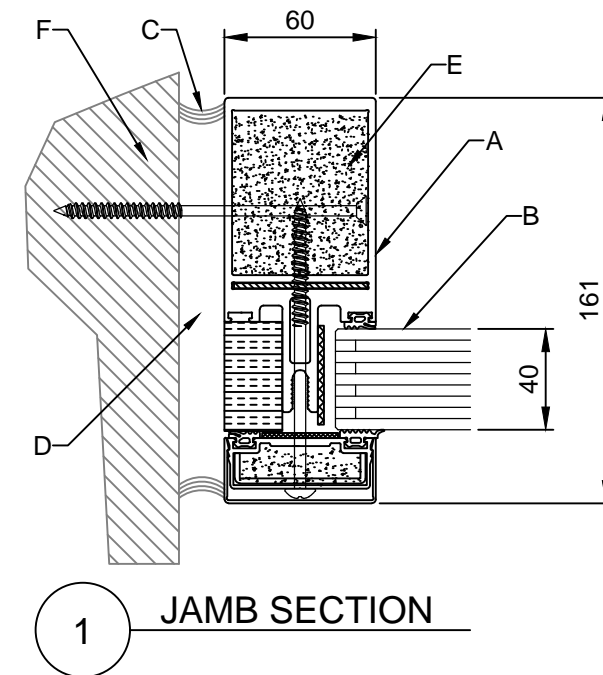
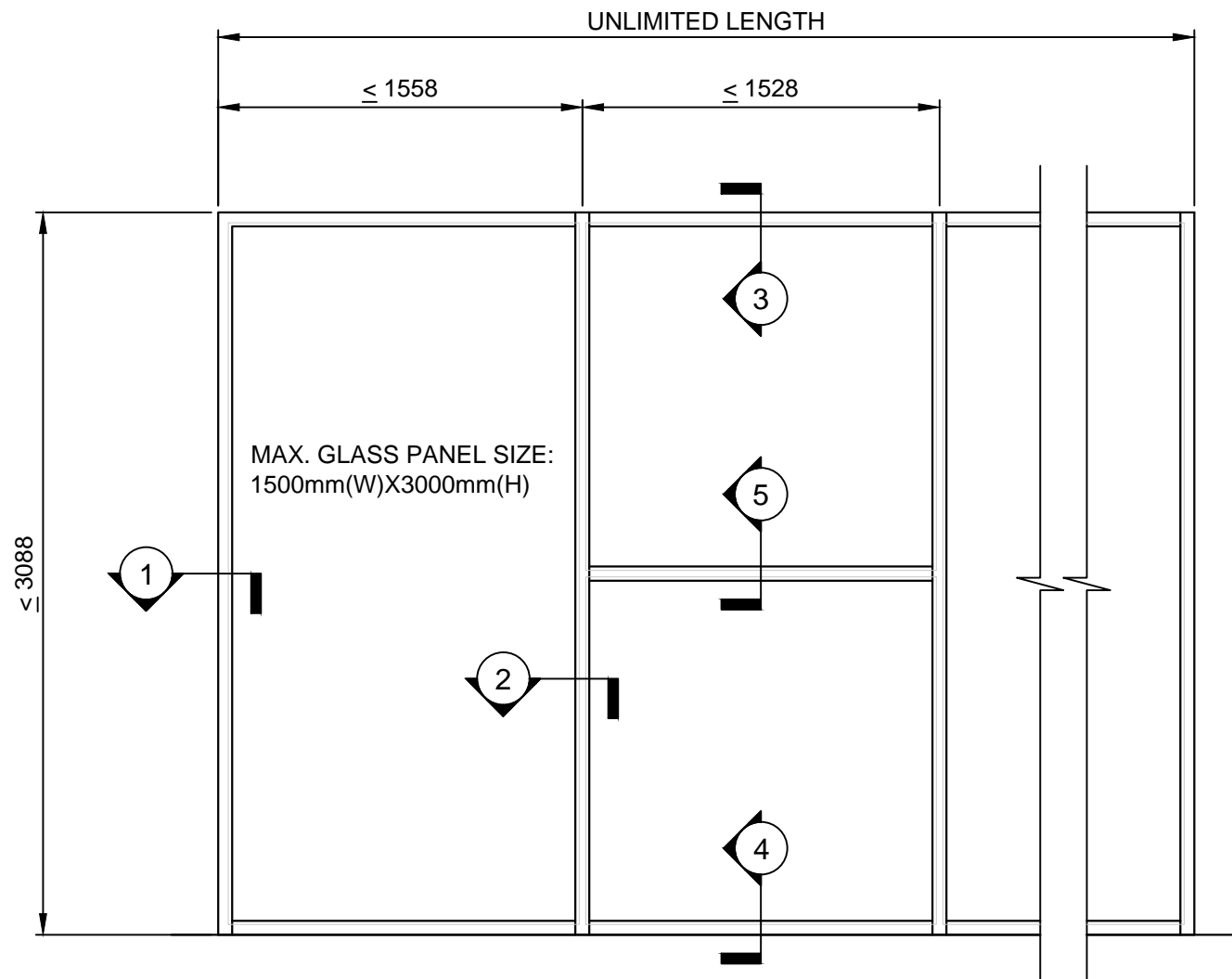


Unit 12, 7-11 Parraweena Road,  
Taren Point NSW 2229

Tel: (02) 9526 3100  
Fax: (02) 9526 3111

Email: info@greenefire.com.au  
Web: www.greenefire.com.au

DRAWN: JC	TITLE: AW60 - CONTRAFLAM 30
CHECKED: CGE	ALL RIGHTS RESERVED. THIS DESIGN MAY NOT BE REPRODUCED IN ANY MATERIAL FORM, INCLUDING ELECTRONICALLY WITHOUT THE WRITTEN PERMISSION OF THE COPYRIGHT NAMES ALL DIMENSION IN MILLIMETERS UNLESS OTHERWISE STATED
APPROVED: CGE	DRAWING NO: AW60-CF30-01 ISSUE: A DATE: 16.11.2018



FIXED GLAZED  
WALL / WINDOW  
FRL -/120/90

ALUFLAM  
AW60  
VETROTECH  
CONTRAFLAM 90  
TOTAL THICKNESS: 40mm  
MAX GLASS PANEL SIZE:  
1500mm(W) X 3000mm(H)

A	ALUFLAM AW60 FRAME
B	CONTRAFLAM 90 FIRE-RATED GLASS (40mm THICK)
C	FIRE-RATED CAULKING/ SILICONE
D	MINERAL WOOL
E	FACTORY FILLED ALUFLAM FIRE-RATED CONCRETE CORE
F	120/120/120 FIRE-RATED WALL OF CONCRETE / PLASTERBOARD
G	CONCRETE SLAB

NOTE - SIZES OUTSIDE THESE STANDARDS - PLEASE CONTACT GREENE FIRE

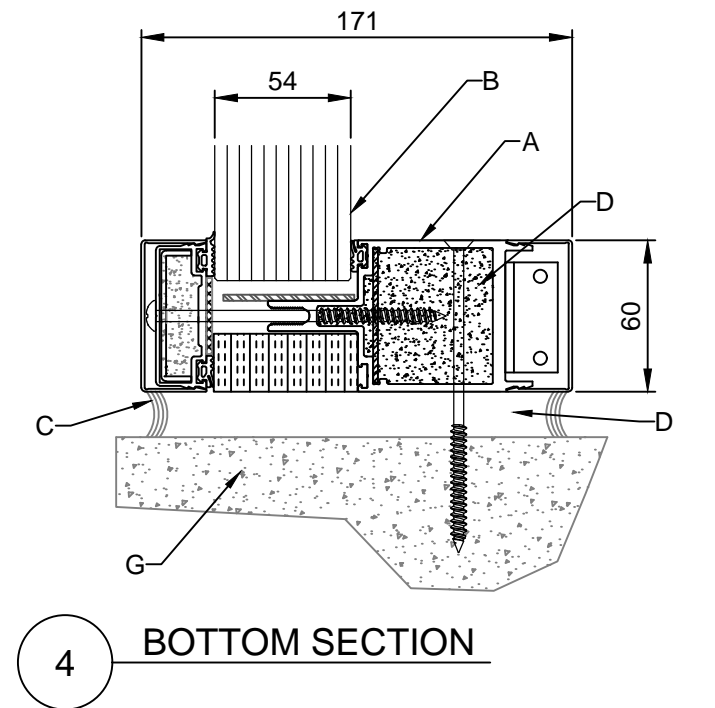
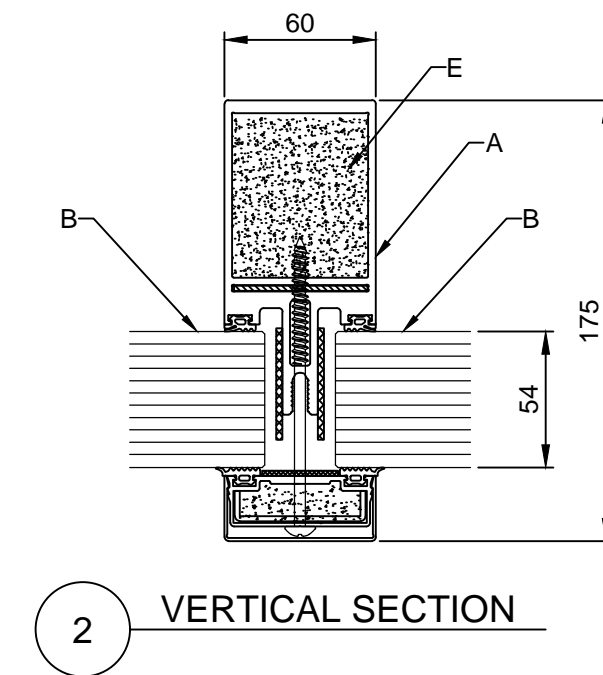
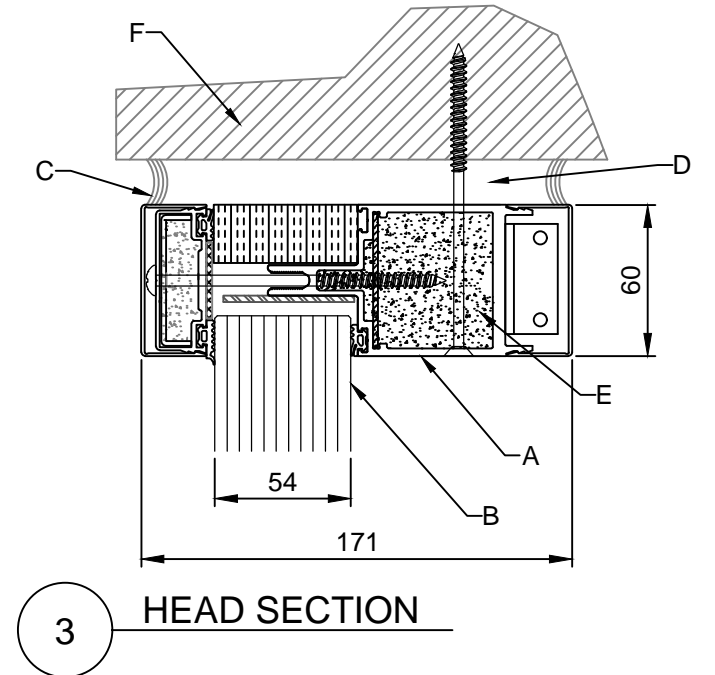
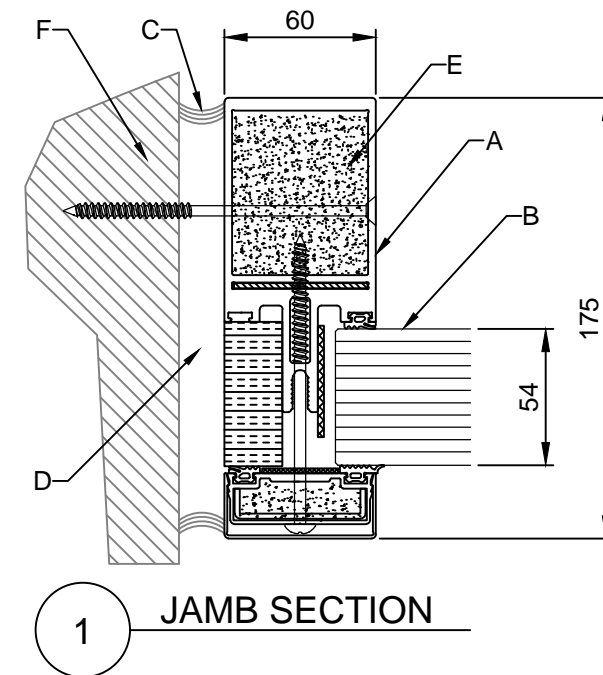
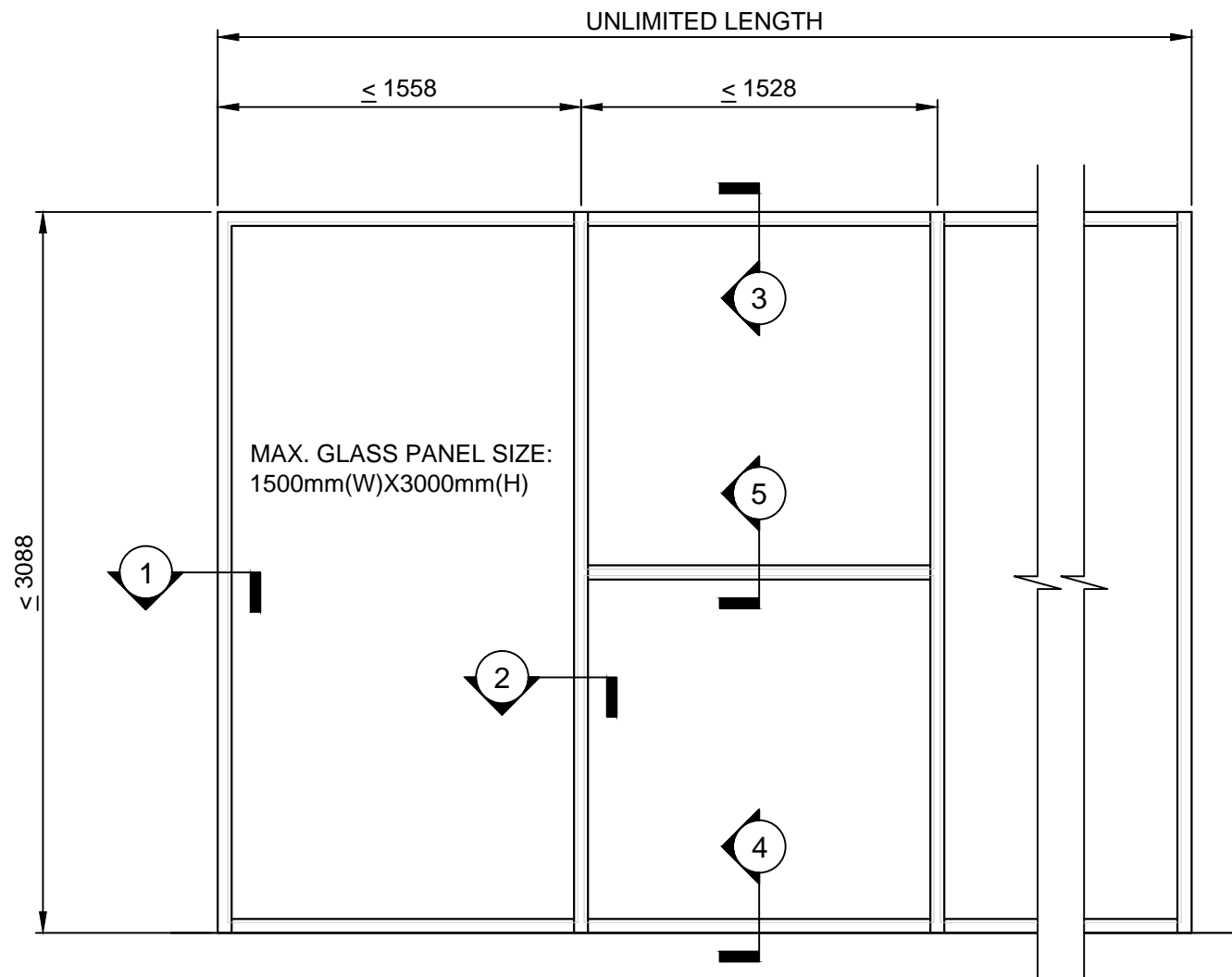


Unit 12, 7-11 Parraweena Road,  
Taren Point NSW 2229

Tel: (02) 9526 3100  
Fax: (02) 9526 3111

Email: info@greenefire.com.au  
Web: www.greenefire.com.au

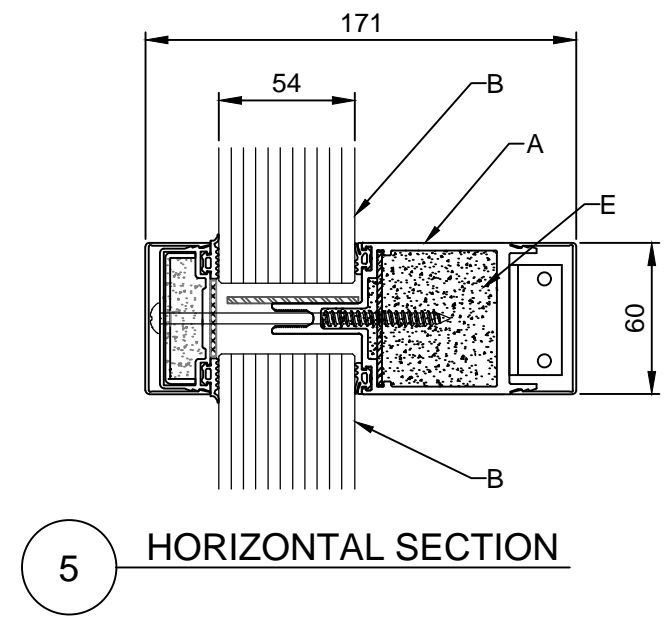
DRAWN: JC	TITLE: AW60 - CONTRAFLAM 90
CHECKED: CGE	ALL RIGHTS RESERVED. THIS DESIGN MAY NOT BE REPRODUCED IN ANY MATERIAL FORM, INCLUDING ELECTRONICALLY WITHOUT THE WRITTEN PERMISSION OF THE COPYRIGHT NAMES ALL DIMENSION IN MILLIMETERS UNLESS OTHERWISE STATED
APPROVED: CGE	DRAWING NO: AW60-CF90-01 ISSUE: A DATE: 16.11.2018




FIXED GLAZED  
WALL / WINDOW  
FRL -/120/120

ALUFLAM  
AW60  
VETROTECH  
CONTRAFLAM 120-5  
TOTAL THICKNESS: 54mm  
MAX GLASS PANEL SIZE:  
1500mm(W) X 3000mm(H)

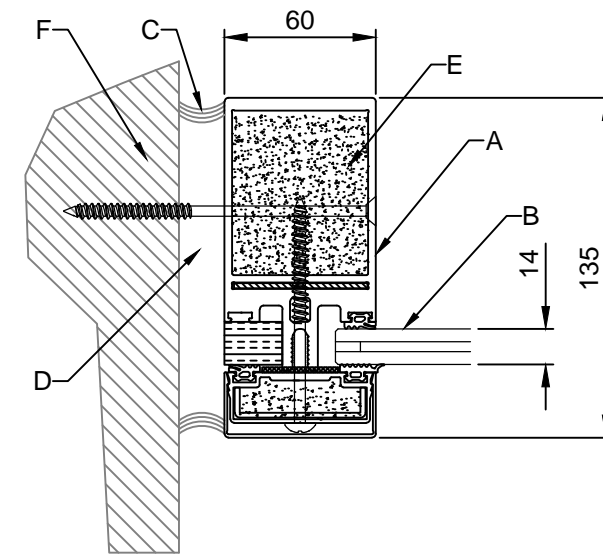
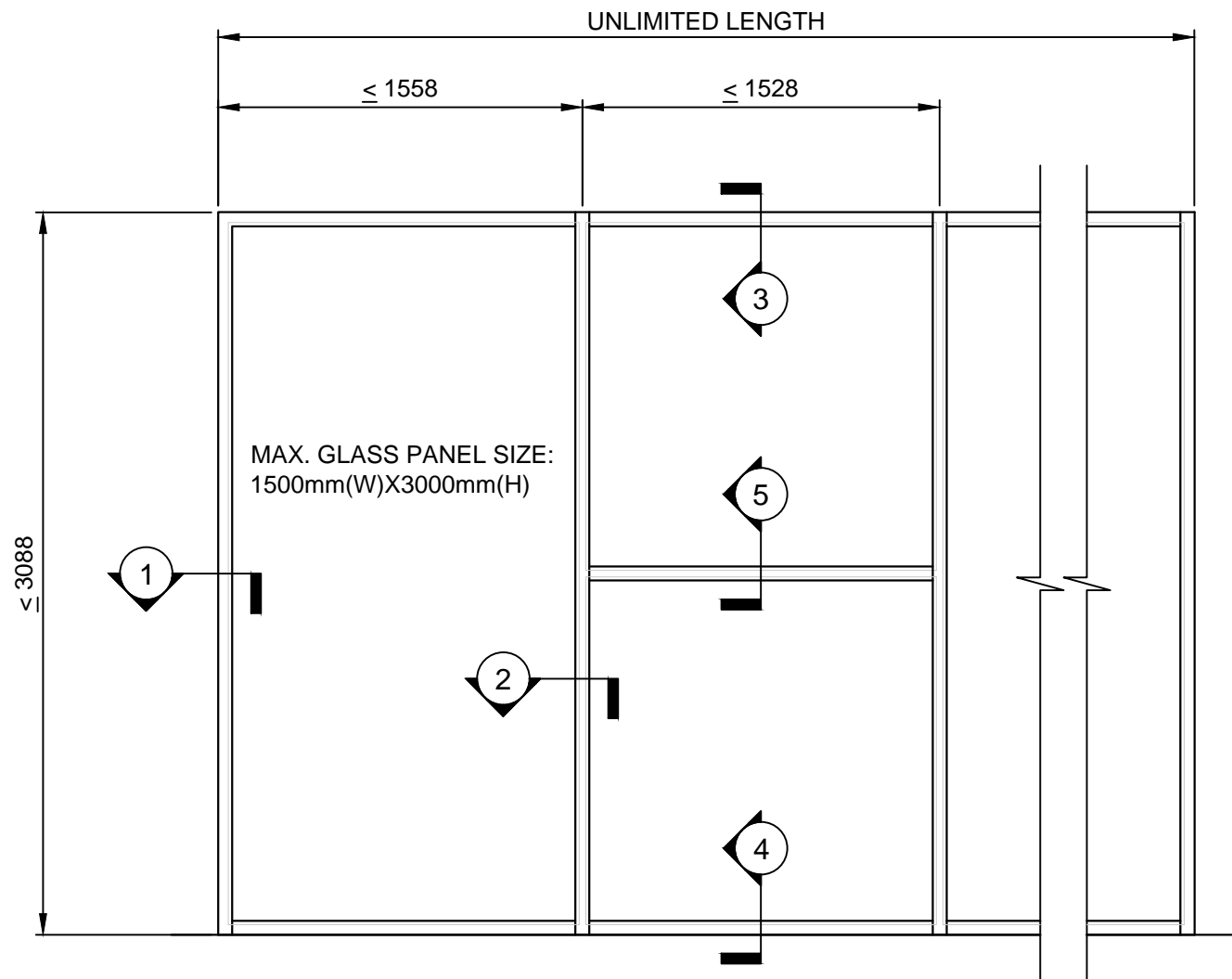
A	ALUFLAM AW60 FRAME
B	CONTRAFLAM 120-5 FIRE-RATED GLASS (54mm THICK)
C	FIRE-RATED CAULKING/ SILICONE
D	MINERAL WOOL
E	FACTORY FILLED ALUFLAM FIRE-RATED CONCRETE CORE
F	120/120/120 FIRE-RATED WALL OF CONCRETE / PLASTERBOARD
G	CONCRETE SLAB



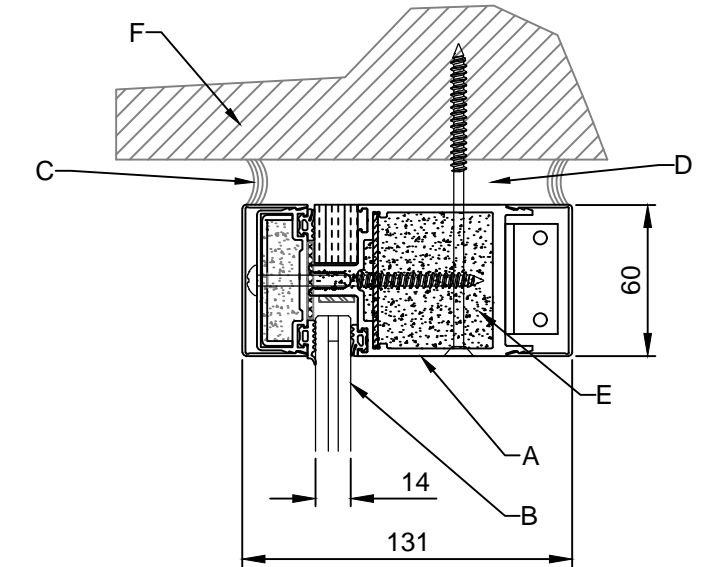
NOTE - SIZES OUTSIDE THESE STANDARDS - PLEASE CONTACT GREENE FIRE

 <p>Unit 12, 7-11 Parraweena Road, Taren Point NSW 2229</p> <p>Tel: (02) 9526 3100 Fax: (02) 9526 3111 Email: info@greenefire.com.au Web: www.greenefire.com.au</p>	DRAWN:	TITLE: AW60 - CONTRAFLAM 120-5	
	JC	<small>ALL RIGHTS RESERVED. THIS DESIGN MAY NOT BE REPRODUCED IN ANY MATERIAL FORM, INCLUDING ELECTRONICALLY WITHOUT THE WRITTEN PERMISSION OF THE COPYRIGHT NAMES</small>	<small>ALL DIMENSION IN MILLIMETERS UNLESS OTHERWISE STATED</small>
	CHECKED:		
	CGE	APPROVED:	DRAWING NO: AW60-CF120-01
CGE	CGE	DATE: 16.11.2018	

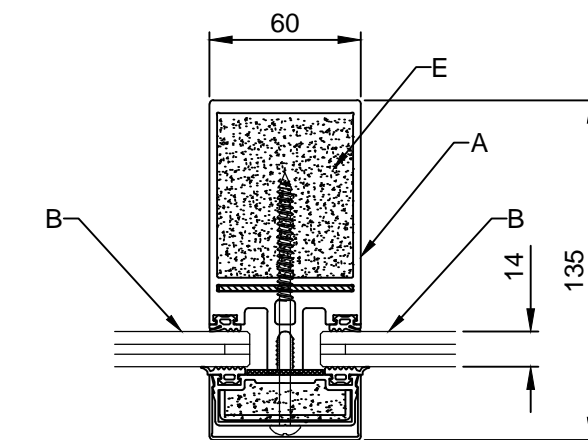




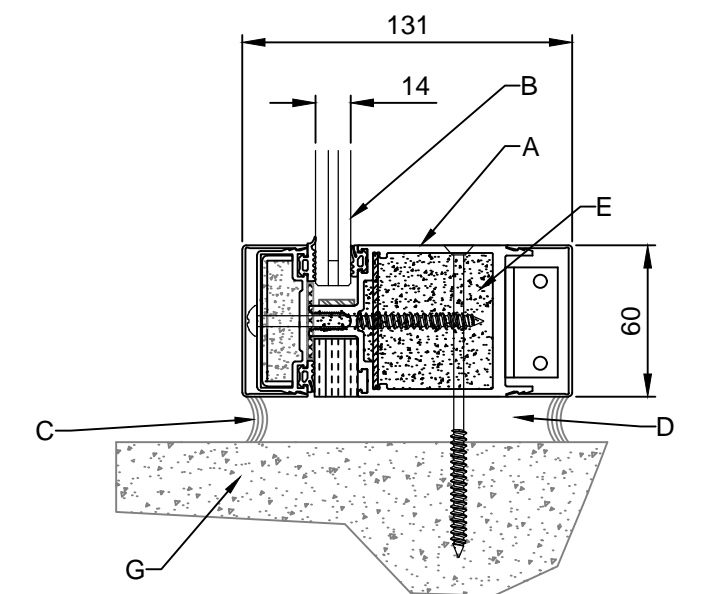
1 JAMB SECTION



3 HEAD SECTION



2 VERTICAL SECTION

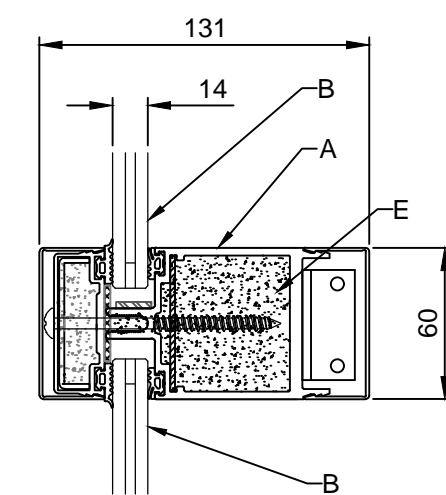


4 BOTTOM SECTION

FIXED GLAZED  
WALL / WINDOW  
FRL -/60/45

ALUFLAM  
AW60  
VETROTECH  
CONTRAFLAM LITE 60  
TOTAL THICKNESS: 14mm  
MAX GLASS PANEL SIZE:  
1500mm(W) X 3000mm(H)

A	ALUFLAM AW60 FRAME
B	CONTRAFLAM LITE 60 FIRE-RATED GLASS (14mm THICK)
C	FIRE-RATED CAULKING/ SILICONE
D	MINERAL WOOL
E	FACTORY FILLED ALUFLAM FIRE-RATED CONCRETE CORE
F	120/120/120 FIRE-RATED WALL OF CONCRETE / PLASTERBOARD
G	CONCRETE SLAB



5 HORIZONTAL SECTION

NOTE - SIZES OUTSIDE THESE STANDARDS - PLEASE CONTACT GREENE FIRE



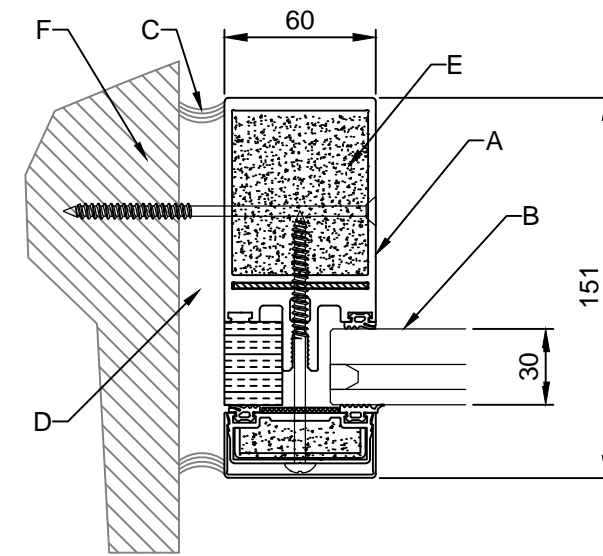
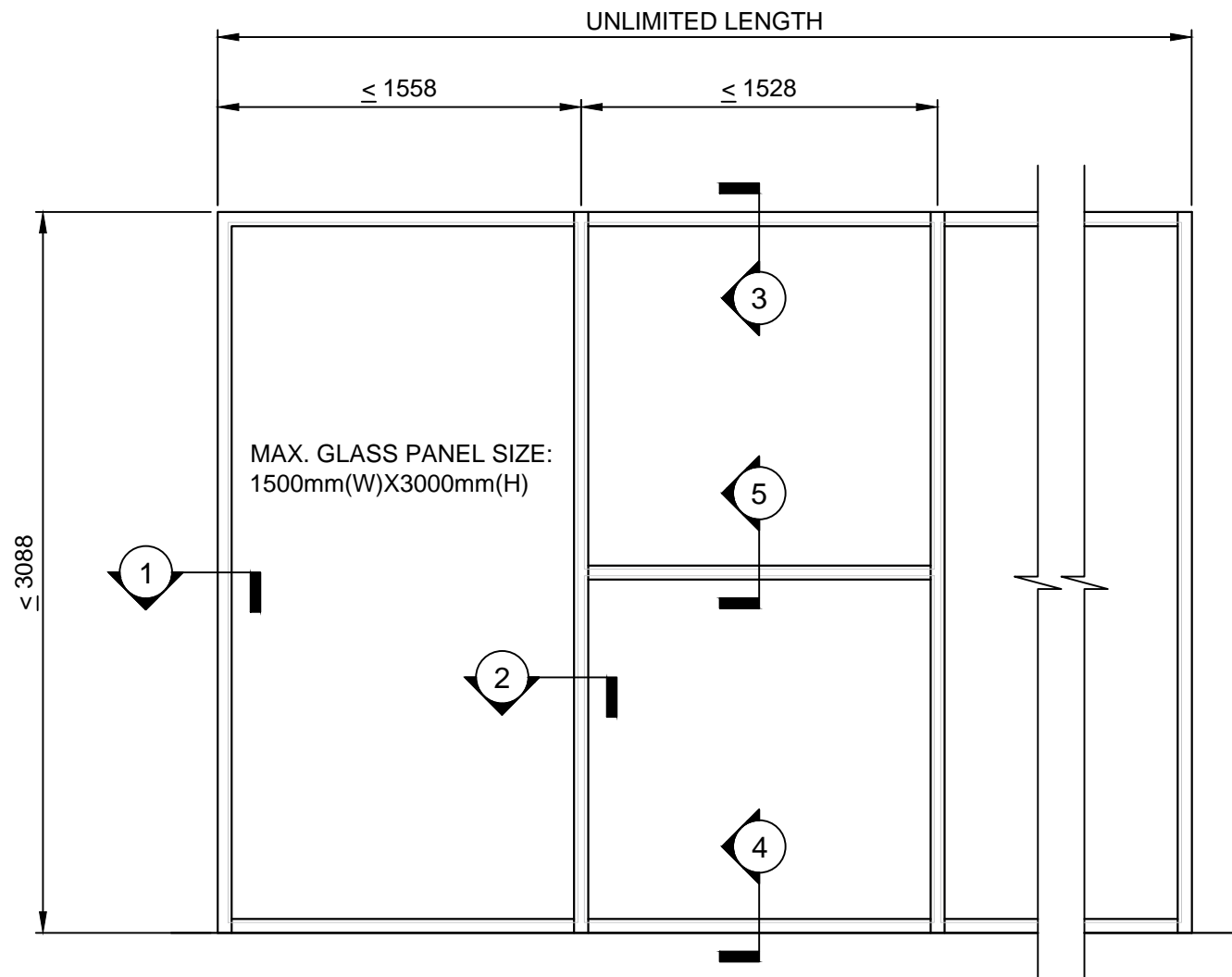
Unit 12, 7-11 Parraweena Road,  
Taren Point NSW 2229

Tel: (02) 9526 3100  
Fax: (02) 9526 3111

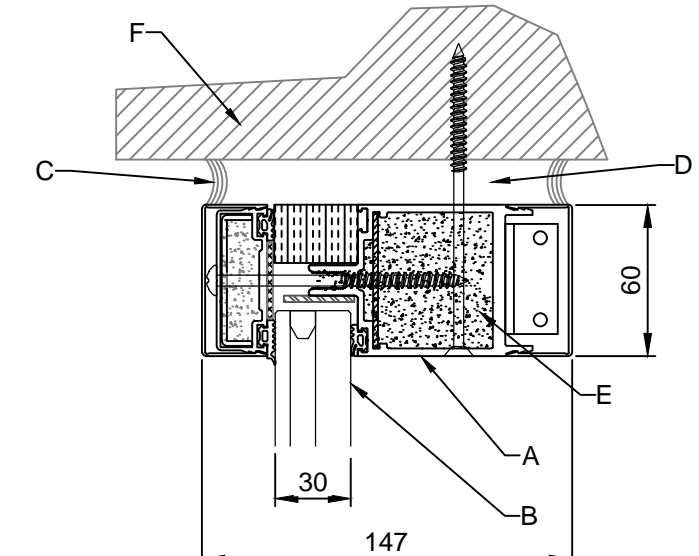
Email: info@greenefire.com.au  
Web: www.greenefire.com.au

DRAWN: JC	TITLE: AW60 - CONTRAFLAM LITE 60
CHECKED: CGE	ALL RIGHTS RESERVED. THIS DESIGN MAY NOT BE REPRODUCED IN ANY MATERIAL FORM, INCLUDING ELECTRONICALLY WITHOUT THE WRITTEN PERMISSION OF THE COPYRIGHT NAMES
APPROVED: CGE	DRAWING NO: AW60-CFL60-01
	ISSUE: A DATE: 16.11.2018

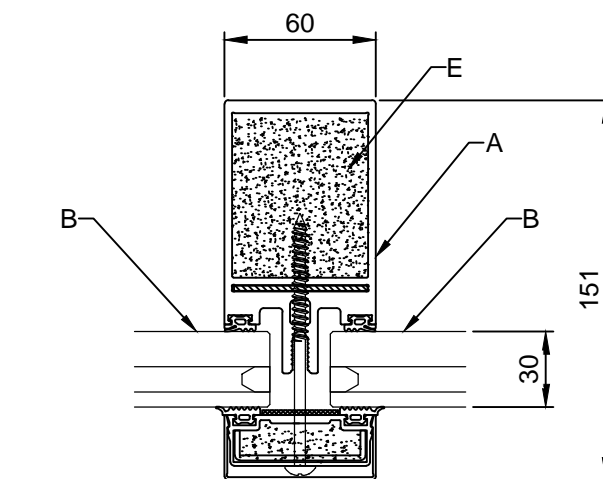
ALL DIMENSION IN MILLIMETERS  
UNLESS OTHERWISE STATED



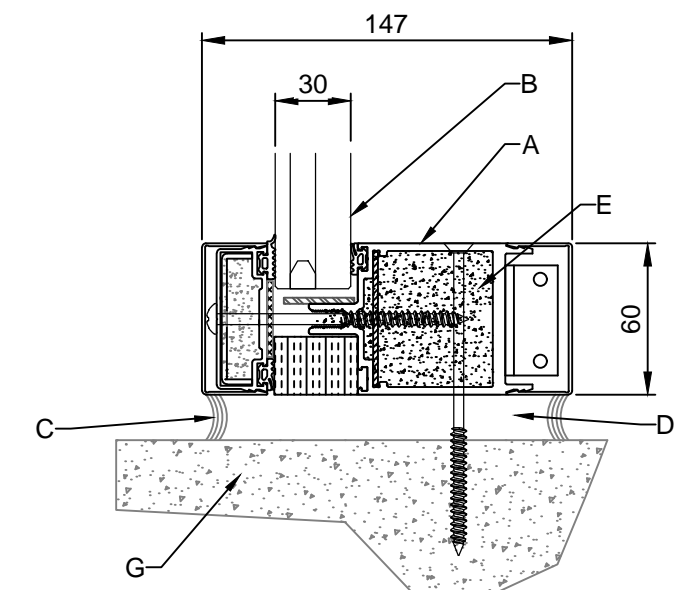
1 JAMB SECTION



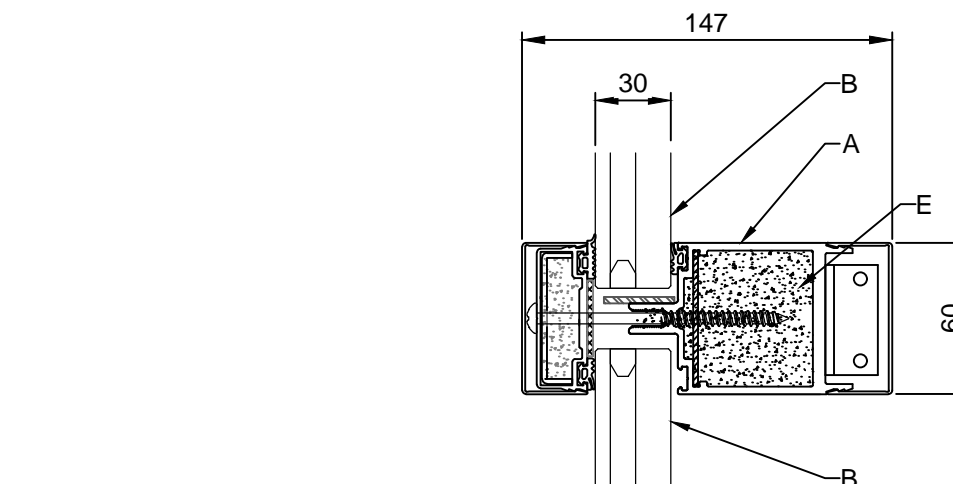
3 HEAD SECTION



2 VERTICAL SECTION



4 BOTTOM SECTION



5 HORIZONTAL SECTION

FIXED GLAZED  
WALL / WINDOW  
FRL -/120/45

ALUFLAM  
AW60  
VETROTECH  
CONTRAFLAM LITE 120  
TOTAL THICKNESS: 30mm  
MAX GLASS PANEL SIZE:  
1500mm(W) X 3000mm(H)

A	ALUFLAM AW60 FRAME
B	CONTRAFLAM LITE 120 FIRE-RATED GLASS (30mm THICK)
C	FIRE-RATED CAULKING/ SILICONE
D	MINERAL WOOL
E	FACTORY FILLED ALUFLAM FIRE-RATED CONCRETE CORE
F	120/120/120 FIRE-RATED WALL OF CONCRETE / PLASTERBOARD
G	CONCRETE SLAB

NOTE - SIZES OUTSIDE THESE STANDARDS - PLEASE CONTACT GREENE FIRE



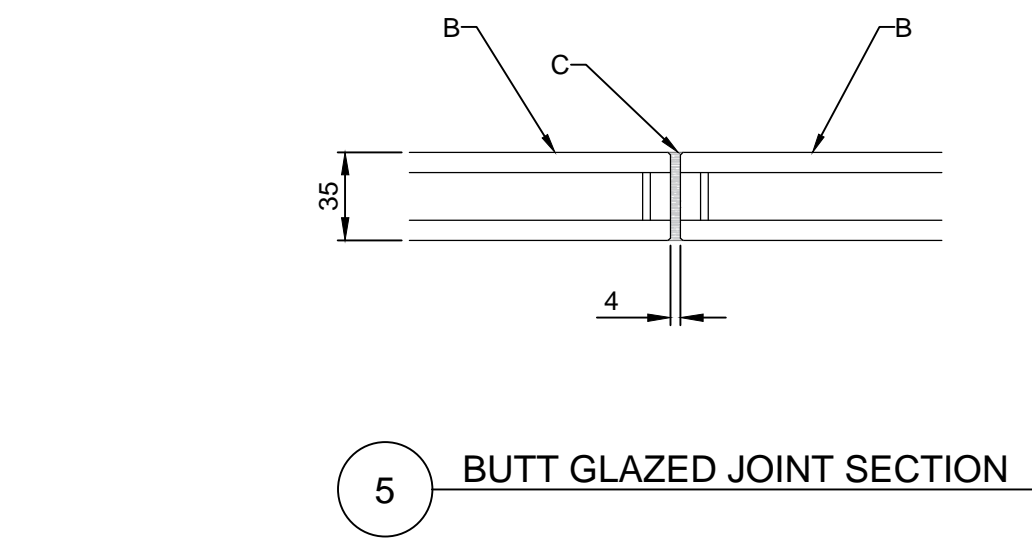
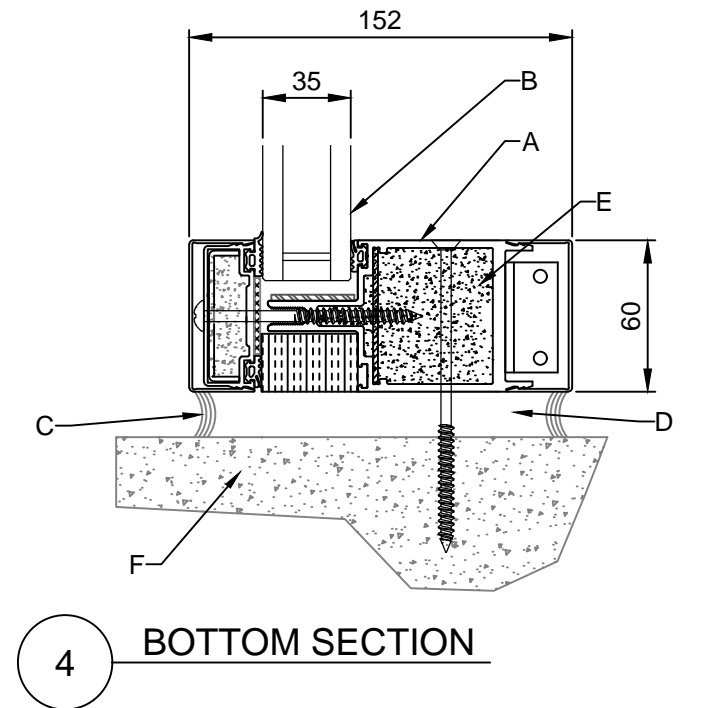
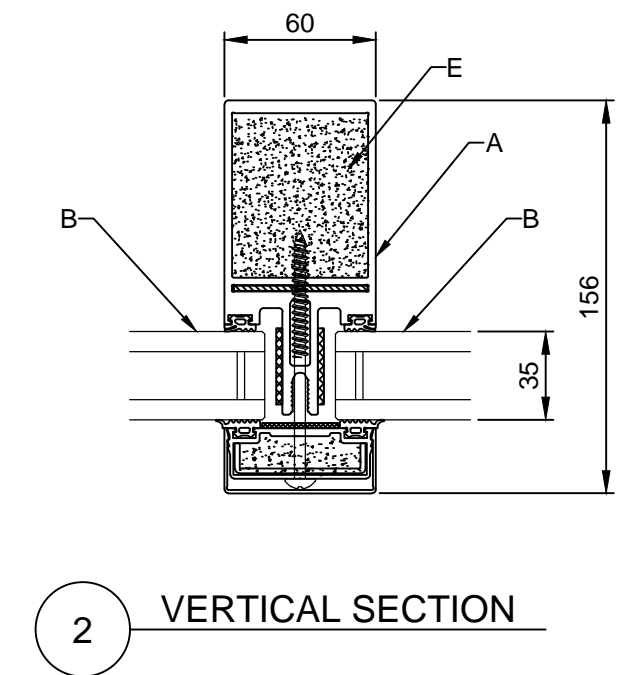
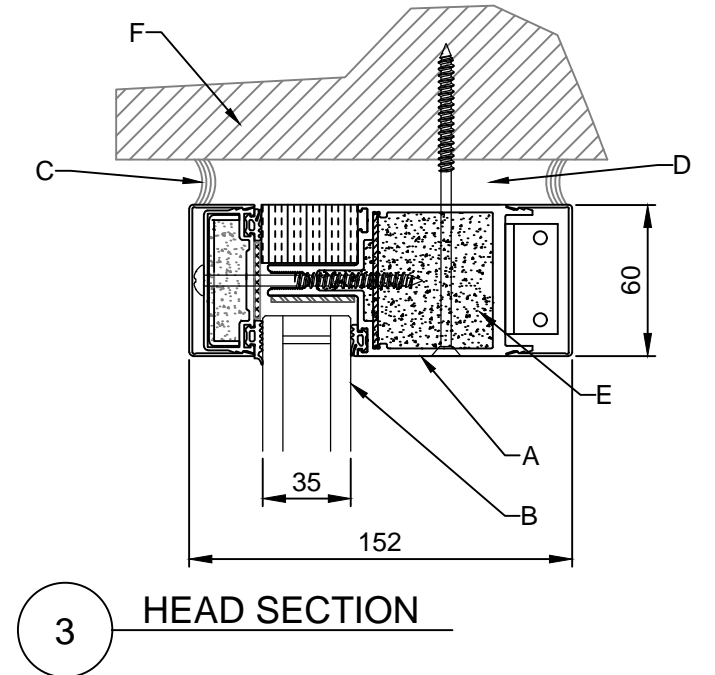
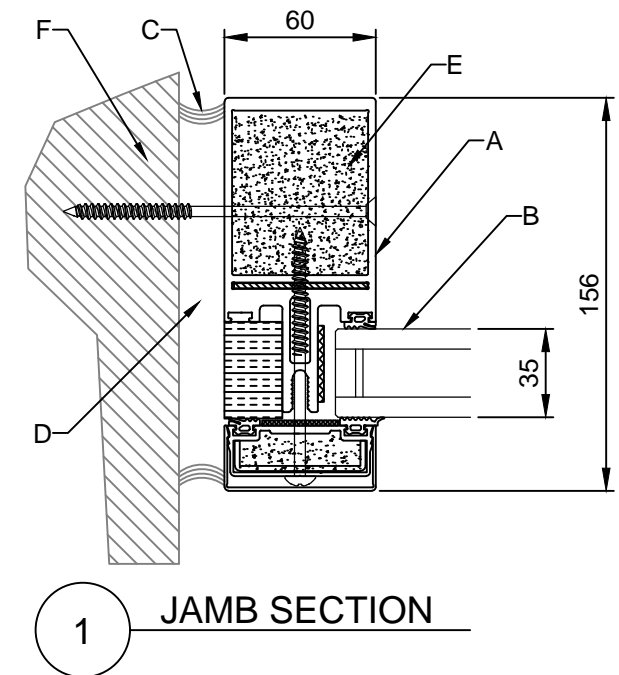
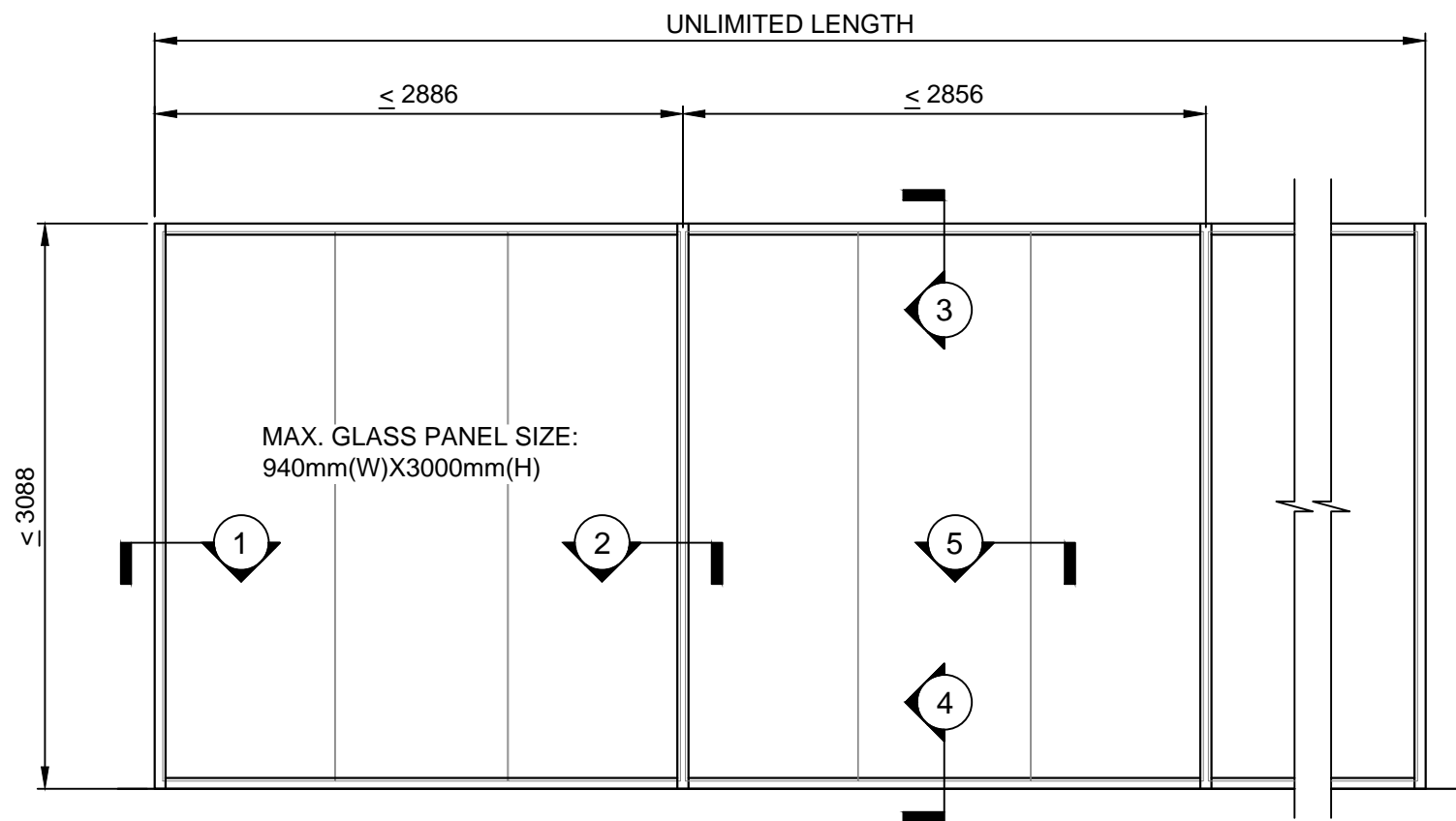
Unit 12, 7-11 Parraweena Road,  
Taren Point NSW 2229

Tel: (02) 9526 3100  
Fax: (02) 9526 3111

Email: info@greenefire.com.au  
Web: www.greenefire.com.au

DRAWN: JC	TITLE: AW60 - CONTRAFLAM LITE 120
CHECKED: CGE	ALL RIGHTS RESERVED. THIS DESIGN MAY NOT BE REPRODUCED IN ANY MATERIAL FORM, INCLUDING ELECTRONICALLY WITHOUT THE WRITTEN PERMISSION OF THE COPYRIGHT NAMES
APPROVED: CGE	DRAWING NO: AW60-CFL120-01
	ISSUE: A DATE: 16.11.2018

ALL DIMENSION IN MILLIMETERS  
UNLESS OTHERWISE STATED




FIXED GLAZED  
WALL / WINDOW  
FRL -/60/60

ALUFLAM  
AW60  
FIREBLOCK 60  
TOTAL THICKNESS: 35mm  
MAX GLASS PANEL SIZE:  
940mm(W) X 3000mm(H)

A	ALUFLAM AW60 FRAME
B	FIREBLOCK 60 FIRE-RATED GLASS (35mm THICK)
C	FIRE-RATED CAULKING/ SILICONE
D	MINERAL WOOL
E	FACTORY FILLED ALUFLAM FIRE-RATED CONCRETE CORE
F	120/120/120 FIRE-RATED WALL OF CONCRETE / PLASTERBOARD
G	CONCRETE SLAB

NOTE - SIZES OUTSIDE THESE STANDARDS - PLEASE CONTACT GREENE FIRE

 <p>Unit 12, 7-11 Parraweena Road, Taren Point NSW 2229</p> <p>Tel: (02) 9526 3100 Fax: (02) 9526 3111 Email: info@greenefire.com.au Web: www.greenefire.com.au</p>	DRAWN:	TITLE: AW60 - FIREBLOCK 60		
	JC	<small>ALL RIGHTS RESERVED. THIS DESIGN MAY NOT BE REPRODUCED IN ANY MATERIAL FORM, INCLUDING ELECTRONICALLY WITHOUT THE WRITTEN PERMISSION OF THE COPYRIGHT NAMES</small>	<small>ALL DIMENSION IN MILLIMETERS UNLESS OTHERWISE STATED</small>	
	CHECKED:			
	CGE	DRAWING NO:	ISSUE:	A
APPROVED:	CGE	AW60-FB60-01	DATE:	16.11.2018