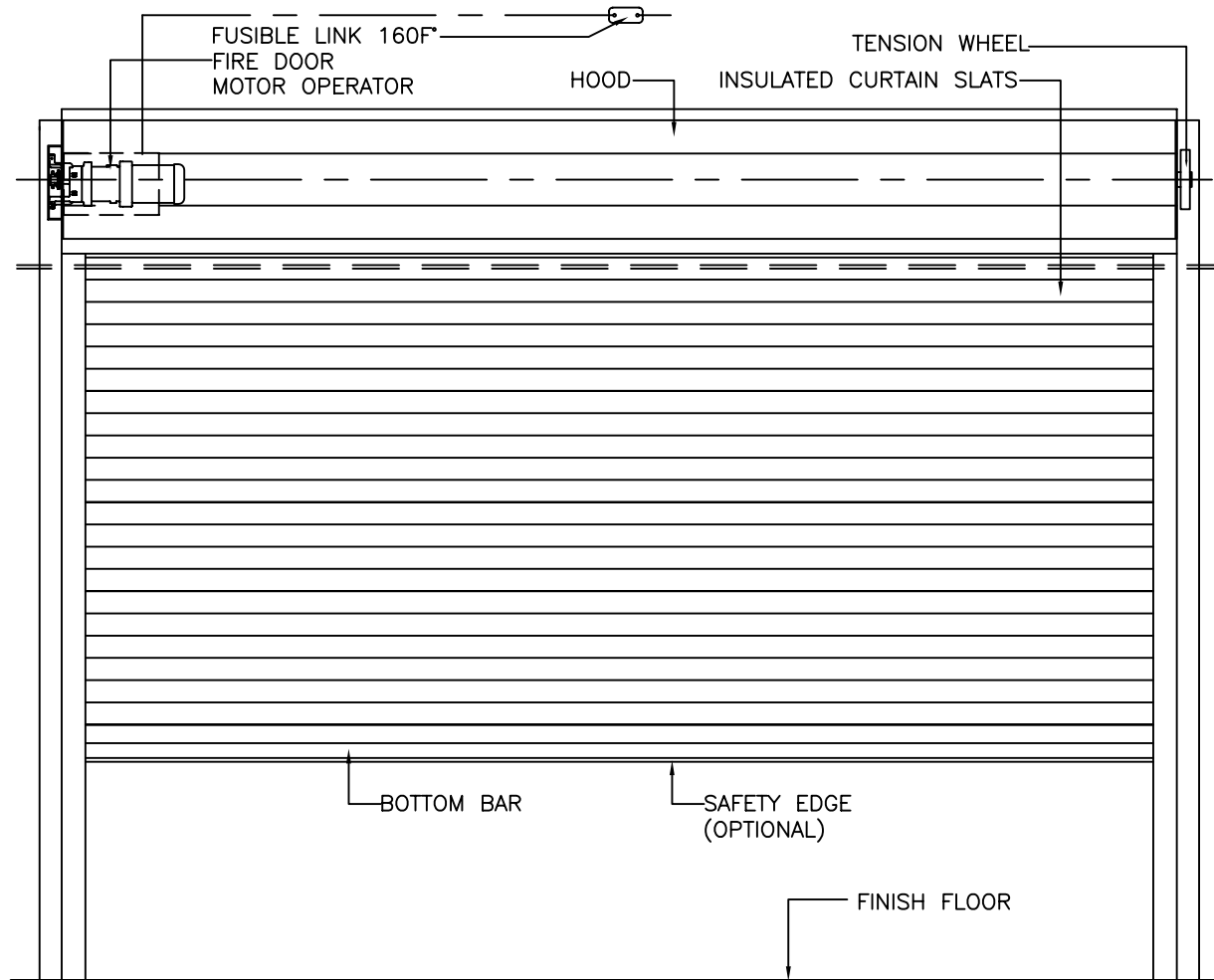
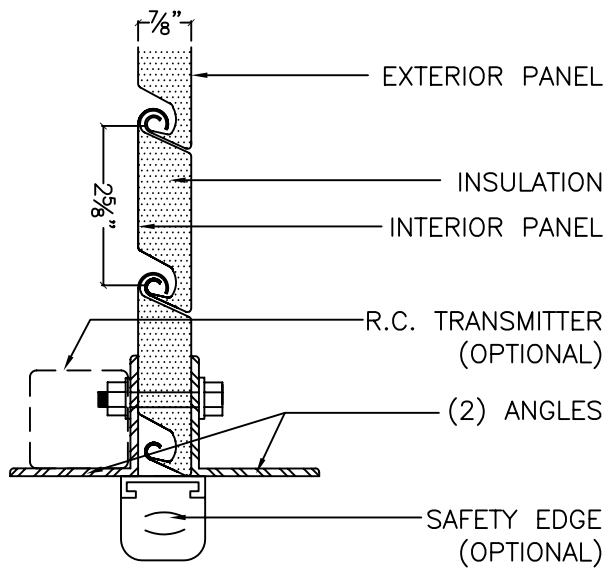




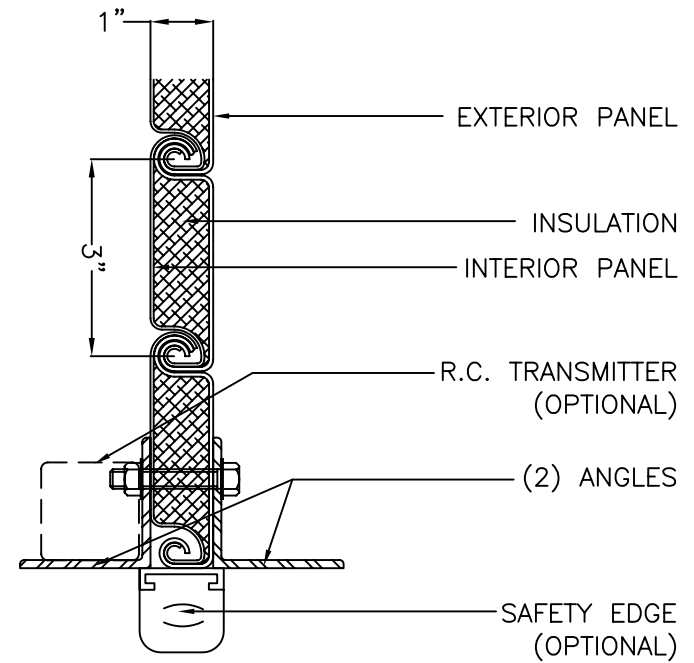
ACOUSTICAL AUTO-SET FIRE DOOR MODEL FSFD-STC

11-10001





22 GAUGE CURTAINS

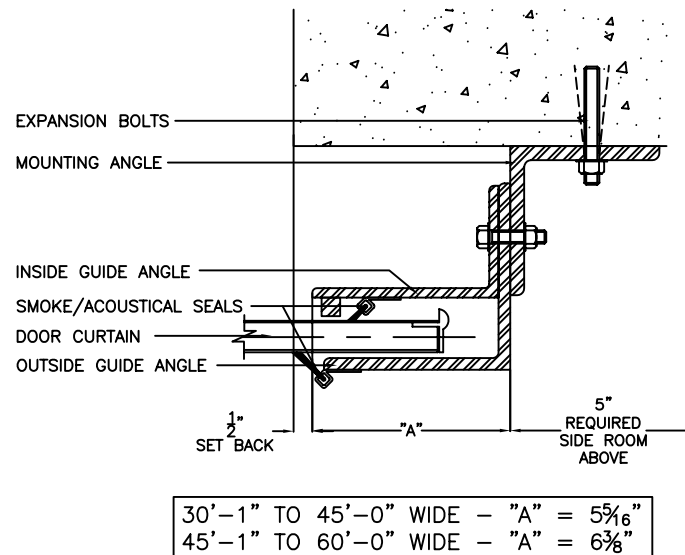
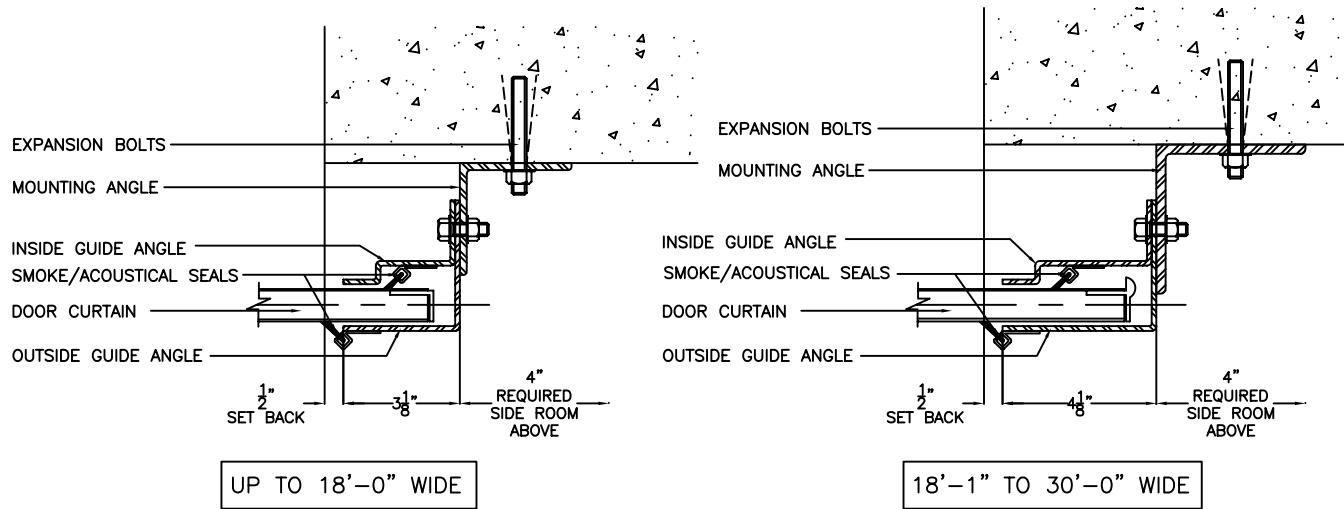


20, 18 OR 16 GAUGE CURTAINS



ACOUSTICAL AUTO-SET FIRE DOOR MODEL FSFD-STC

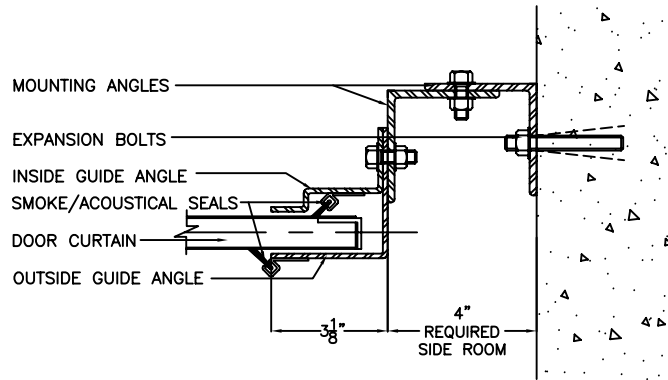
11-43012



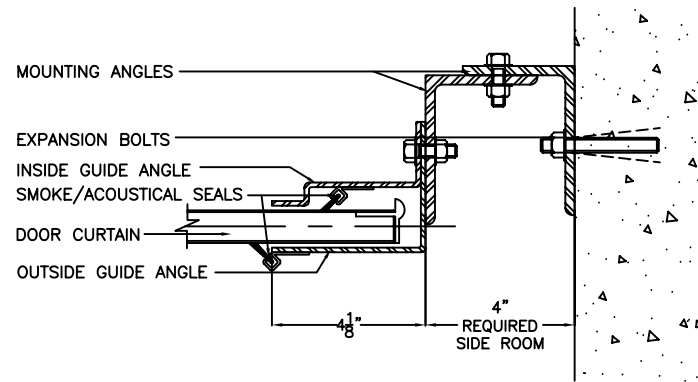


ACOUSTICAL AUTO-SET FIRE DOOR MODEL FSFD-STC

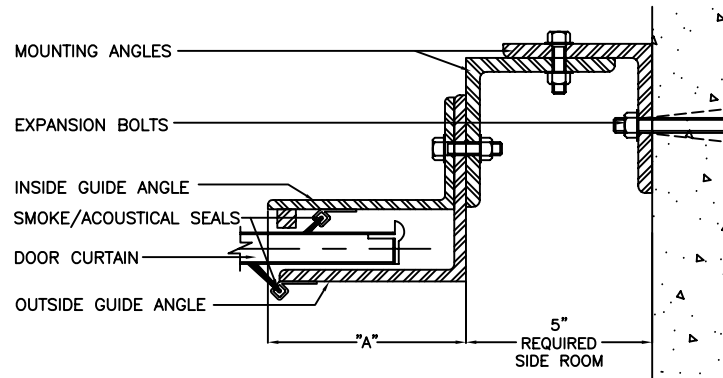
11-43022



UP TO 18'-0" WIDE



18'-1" TO 30'-0" WIDE

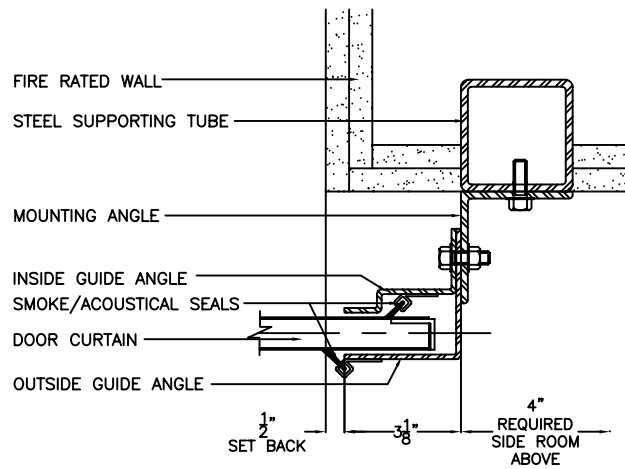


30'-1" TO 45'-0" WIDE - "A" = 5 5/16"
45'-1" TO 60'-0" WIDE - "A" = 6 3/8"

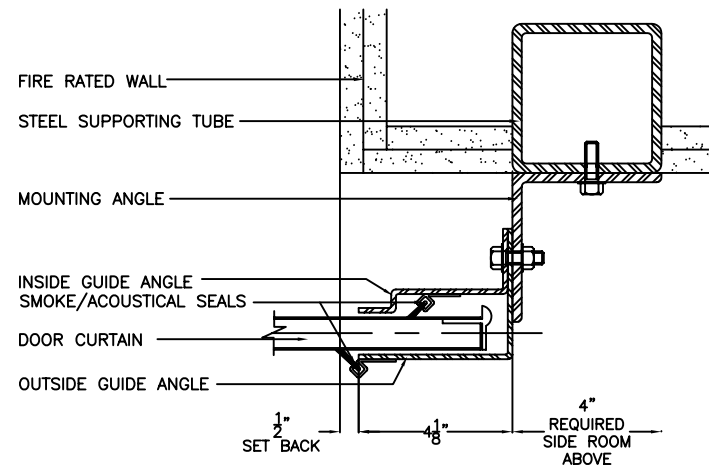


ACOUSTICAL AUTO-SET FIRE DOOR MODEL FSFD-STC

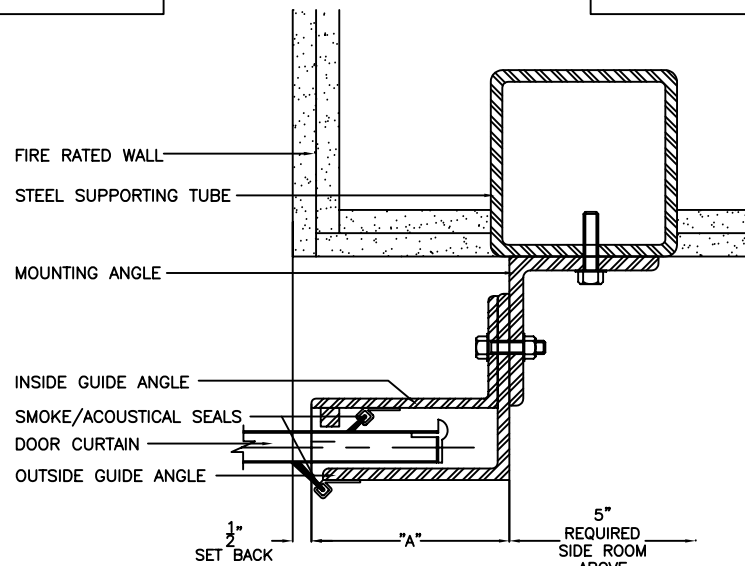
11-43062



UP TO 18'-0" WIDE



18'-1" TO 30'-0" WIDE



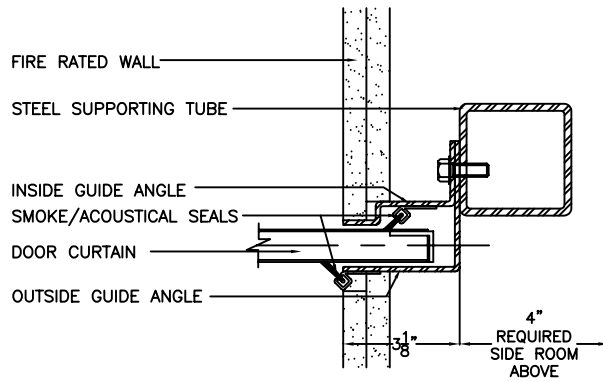
30'-1" TO 45'-0" WIDE - "A" = $5\frac{5}{16}$ "
45'-1" TO 60'-0" WIDE - "A" = $6\frac{7}{8}$ "

NOTE:
SUPPORT TUBES ARE
REQUIRED TO BE
ENCASED IN FIRE
RATED CONSTRUCTION

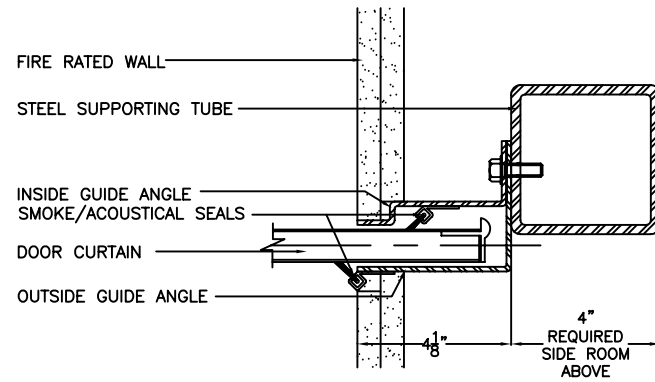


ACOUSTICAL AUTO-SET FIRE DOOR MODEL FSFD-STC

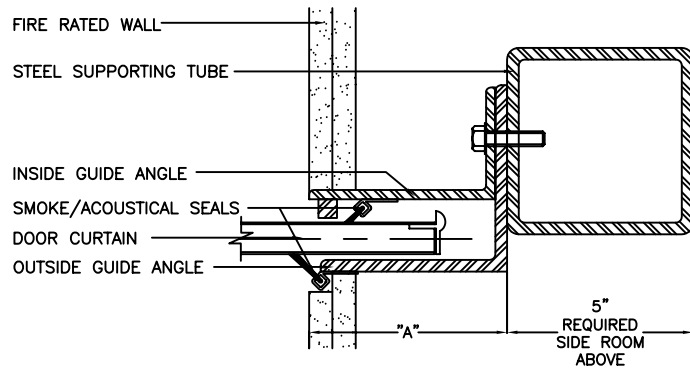
11-43052



UP TO 18'-0" WIDE



18'-1" TO 30'-0" WIDE



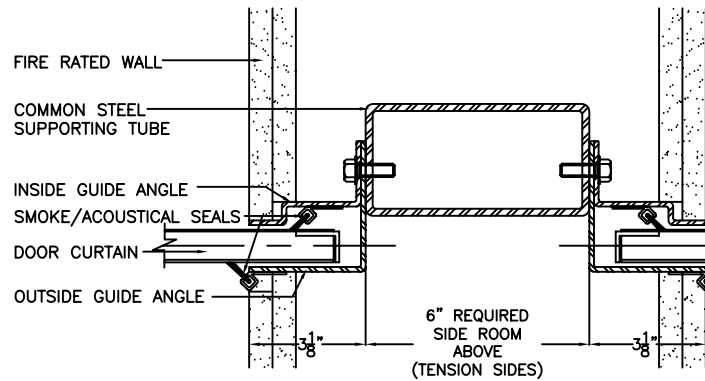
30'-1" TO 45'-0" WIDE - "A" = 5 5/16"
45'-1" TO 60'-0" WIDE - "A" = 6 3/8"

NOTE:
SUPPORT TUBES ARE
REQUIRED TO BE
ENCASED IN FIRE
RATED CONSTRUCTION

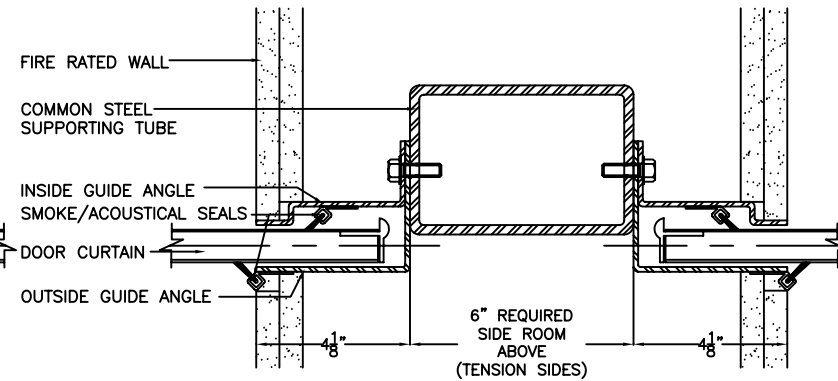


ACOUSTICAL AUTO-SET FIRE DOOR MODEL FSFD-STC

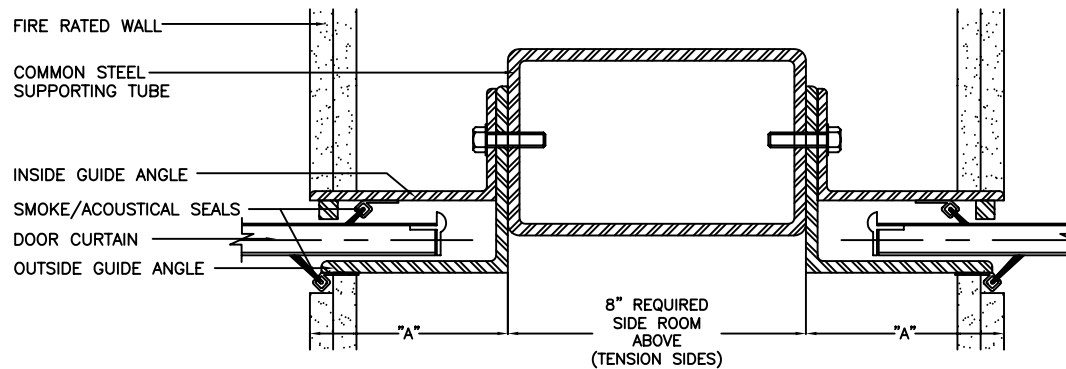
11-43072



UP TO 18'-0" WIDE



18'-1" TO 30'-0" WIDE



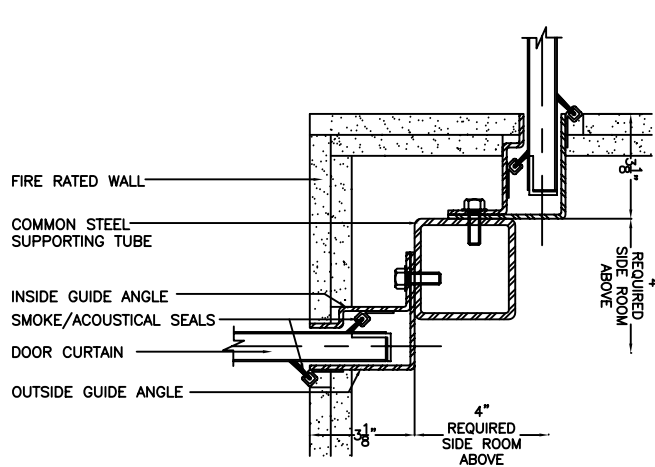
30'-1" TO 45'-0" WIDE - "A" = 5 5/16"
45'-1" TO 60'-0" WIDE - "A" = 6 3/8"

NOTE:
SUPPORT TUBES ARE
REQUIRED TO BE
ENCASED IN FIRE
RATED CONSTRUCTION

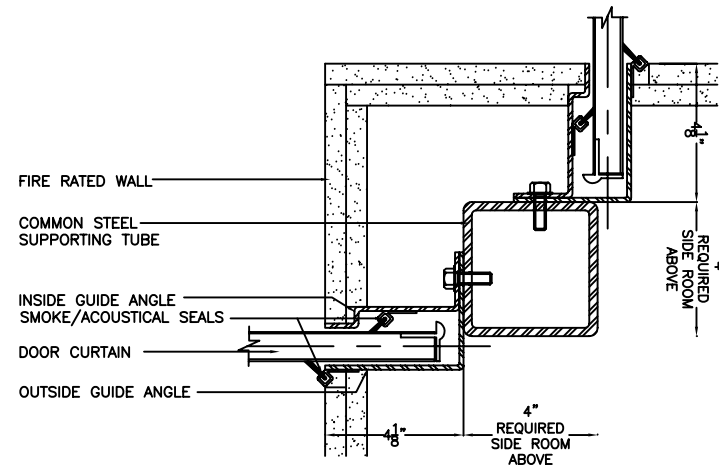


ACOUSTICAL AUTO-SET FIRE DOOR MODEL FSFD-STC

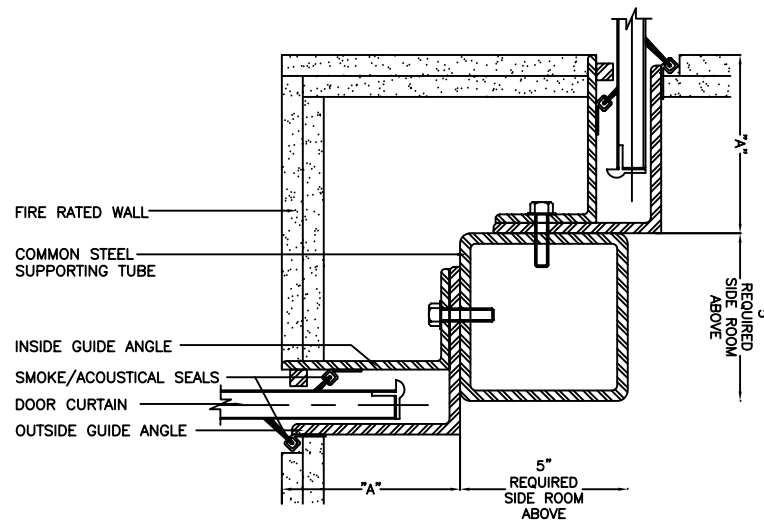
11-43082



UP TO 18'-0" WIDE

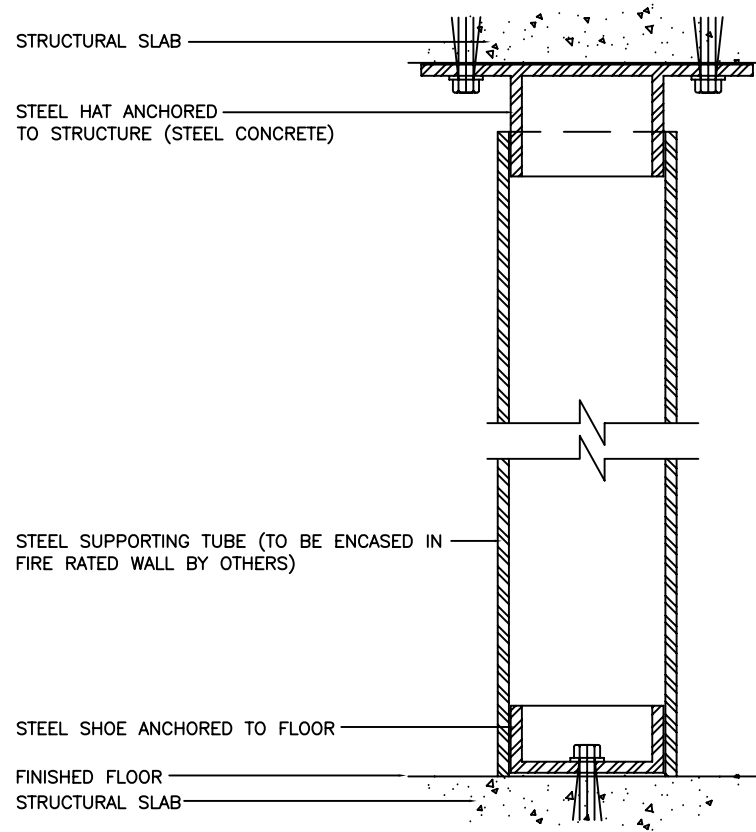


18'-1" TO 30'-0" WIDE



30'-1" TO 45'-0" WIDE - "A" = 5⁵/₁₆"
45'-1" TO 60'-0" WIDE - "A" = 6³/₈"

NOTE:
SUPPORT TUBES ARE
REQUIRED TO BE
ENCASED IN FIRE
RATED CONSTRUCTION

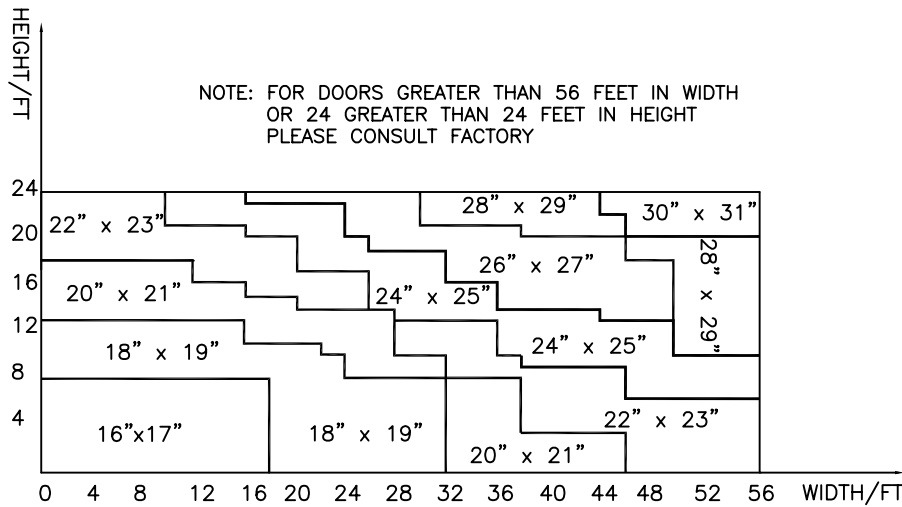


SUPPORTING TUBE DETAIL

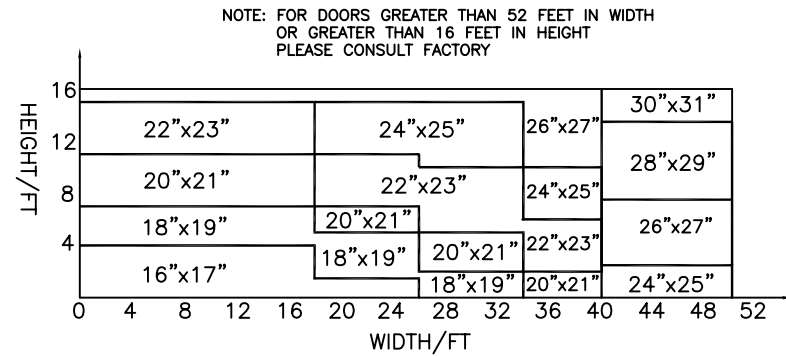


ACOUSTICAL AUTO-SET FIRE DOOR MODEL FSFD-STC

11-50000



22 GAUGE CURTAINS

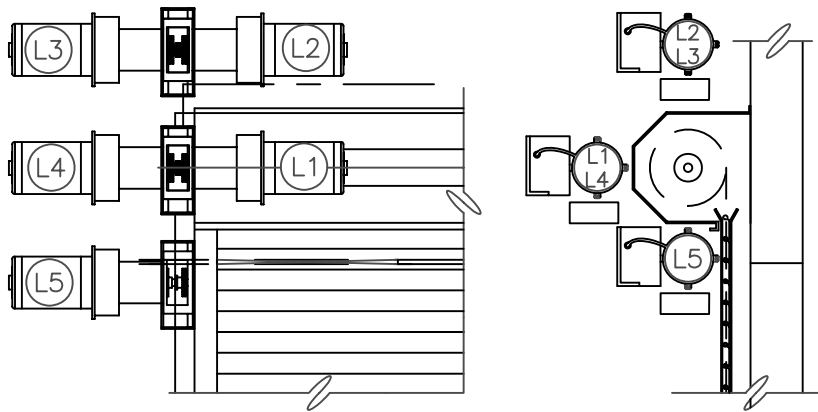


20, 18 OR 16 GAUGE CURTAINS

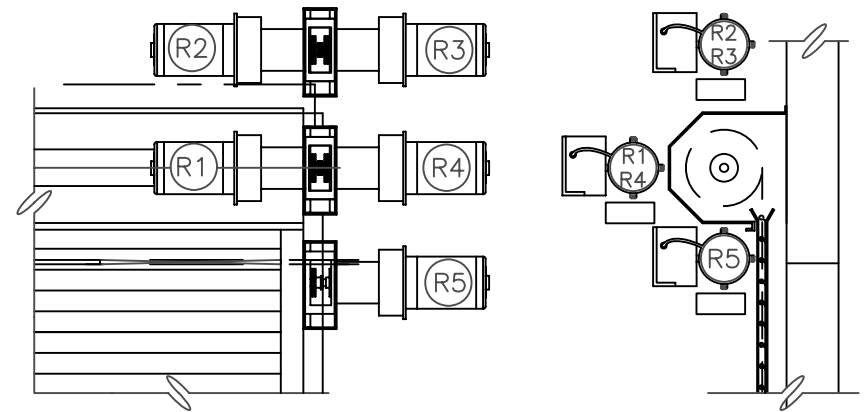


ACOUSTICAL AUTO-SET FIRE DOOR MODEL FSFD-STC

11-49000



OPTIONAL MOTOR LOCATIONS
LEFT HAND



OPTIONAL MOTOR LOCATIONS
RIGHT HAND