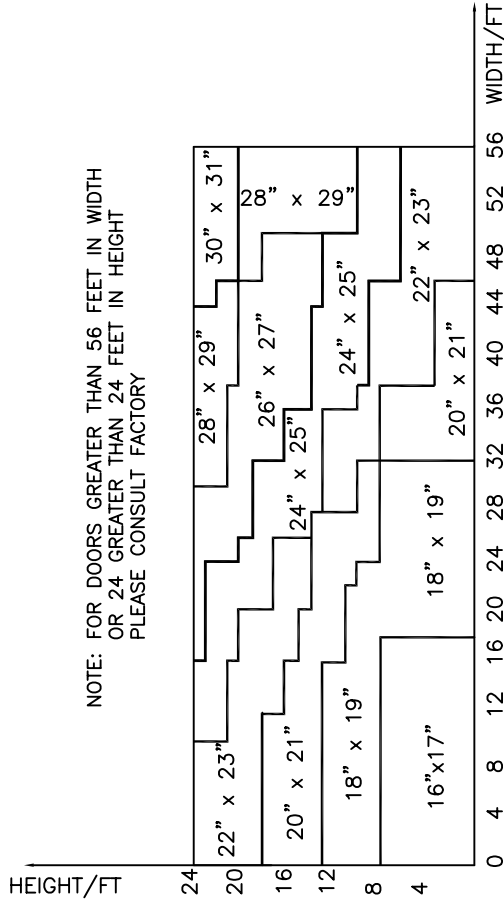


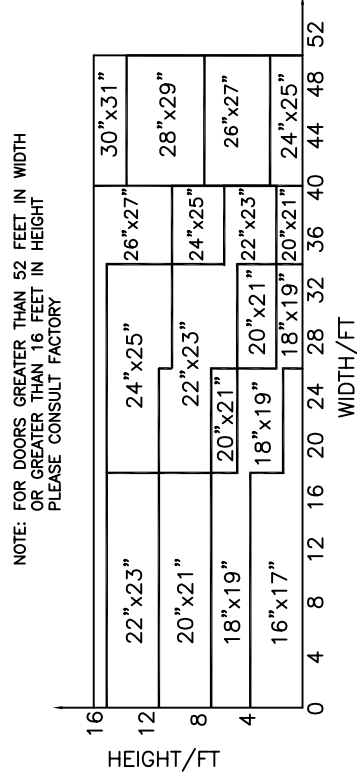


INSULATED AUTO-SET FIRE DOOR MODEL FSFD-IS-M

10-50000



22 GAUGE CURTAINS

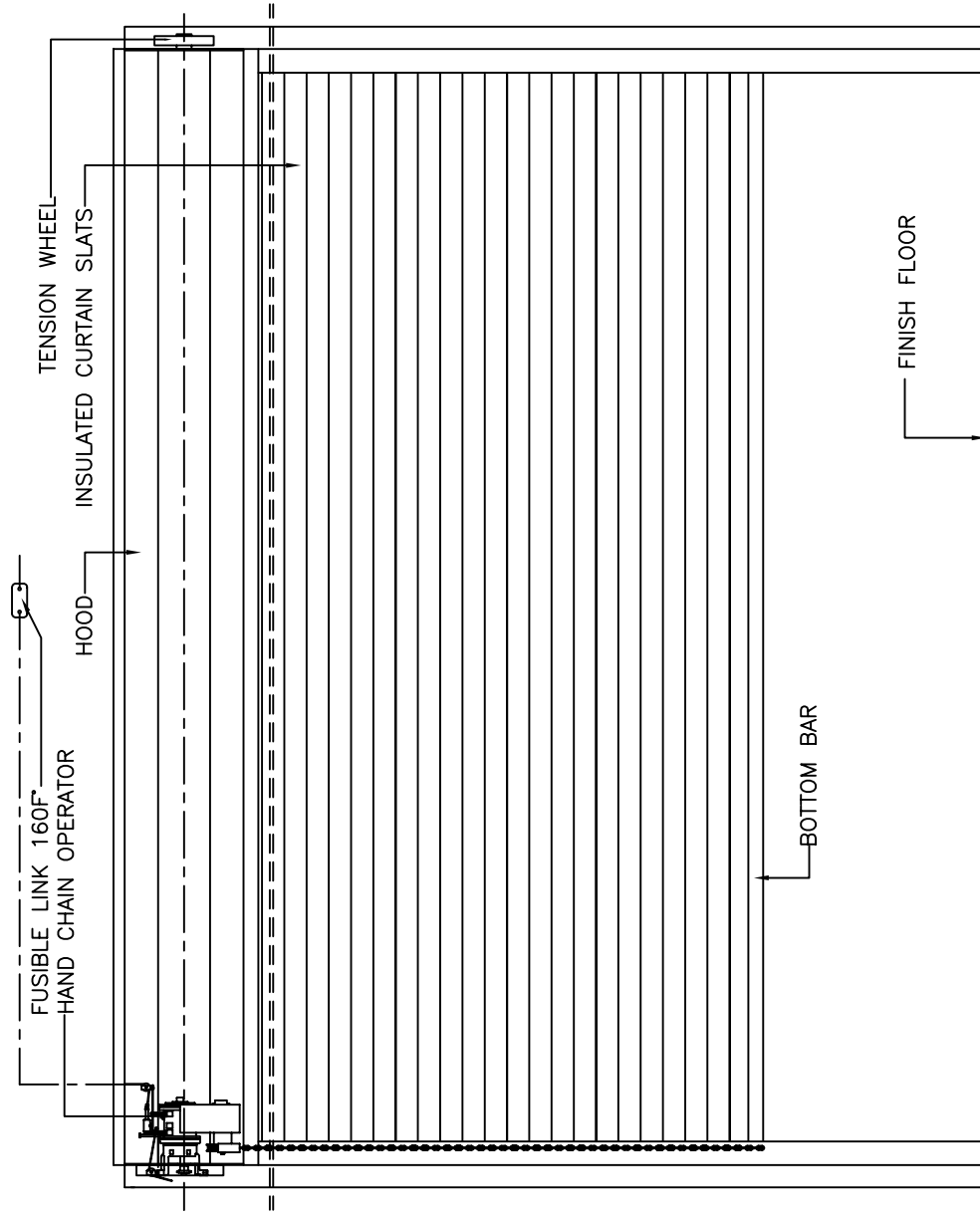


20, 18 OR 16 GAUGE CURTAINS



INSULATED AUTO-SET FIRE DOOR MODEL FSFD-IS-HC

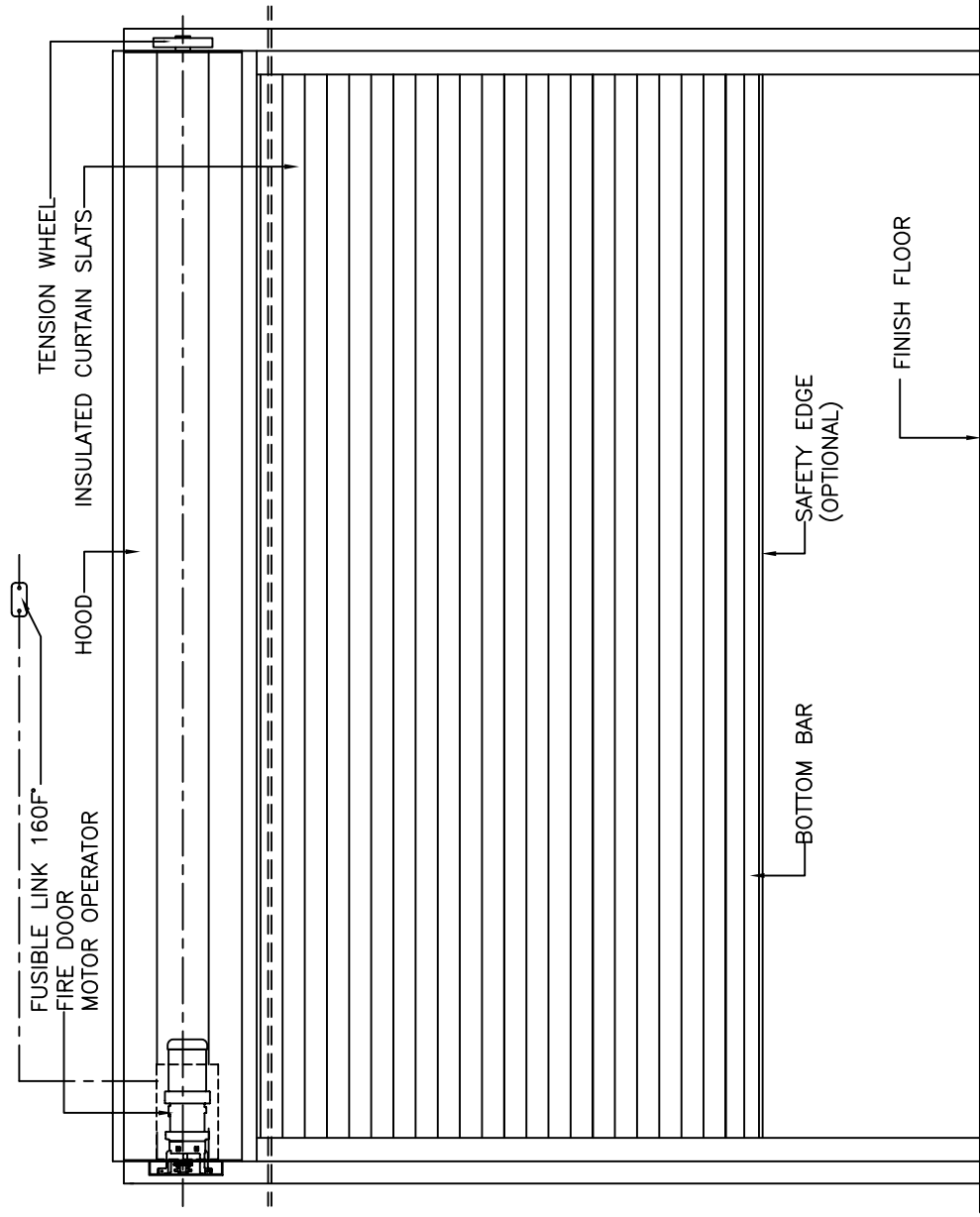
10-10021

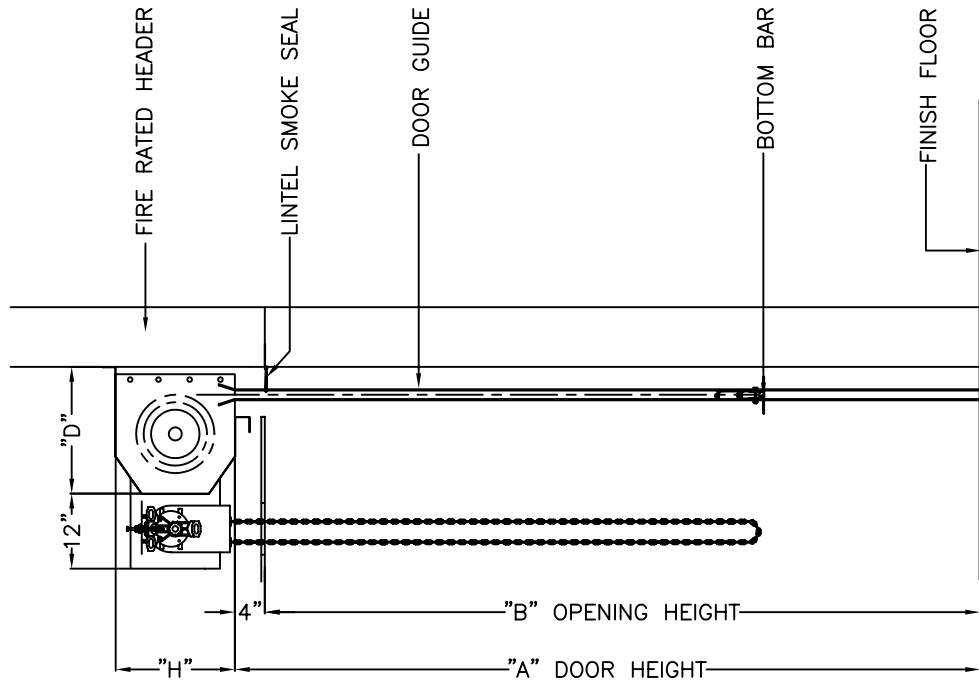




INSULATED AUTO-SET FIRE DOOR MODEL FSFD-IS-M

10-10001

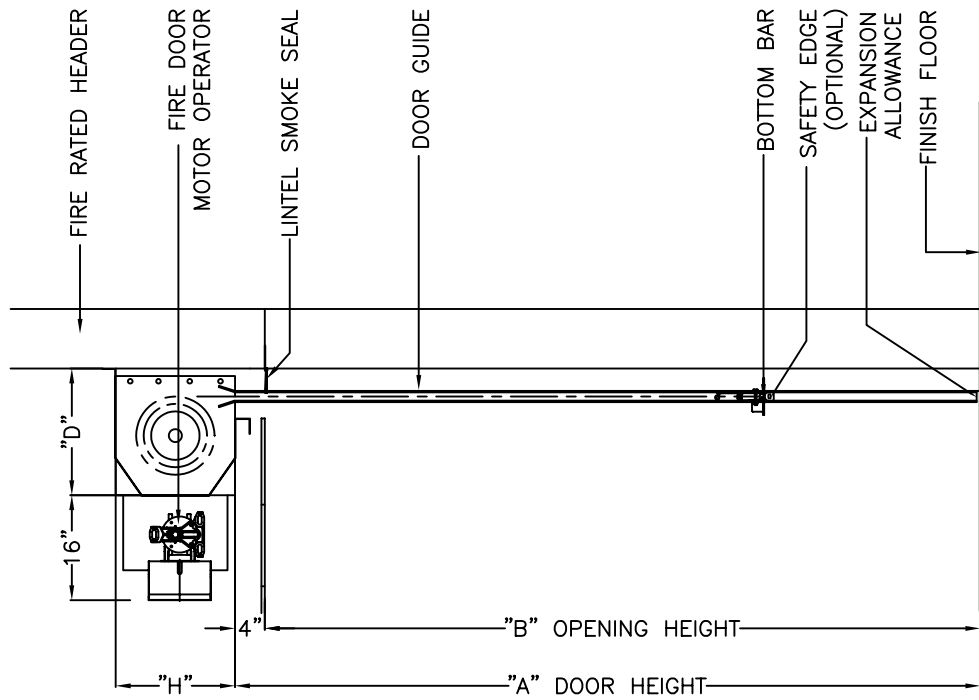






INSULATED AUTO-SET FIRE DOOR MODEL FSFD-IS-M

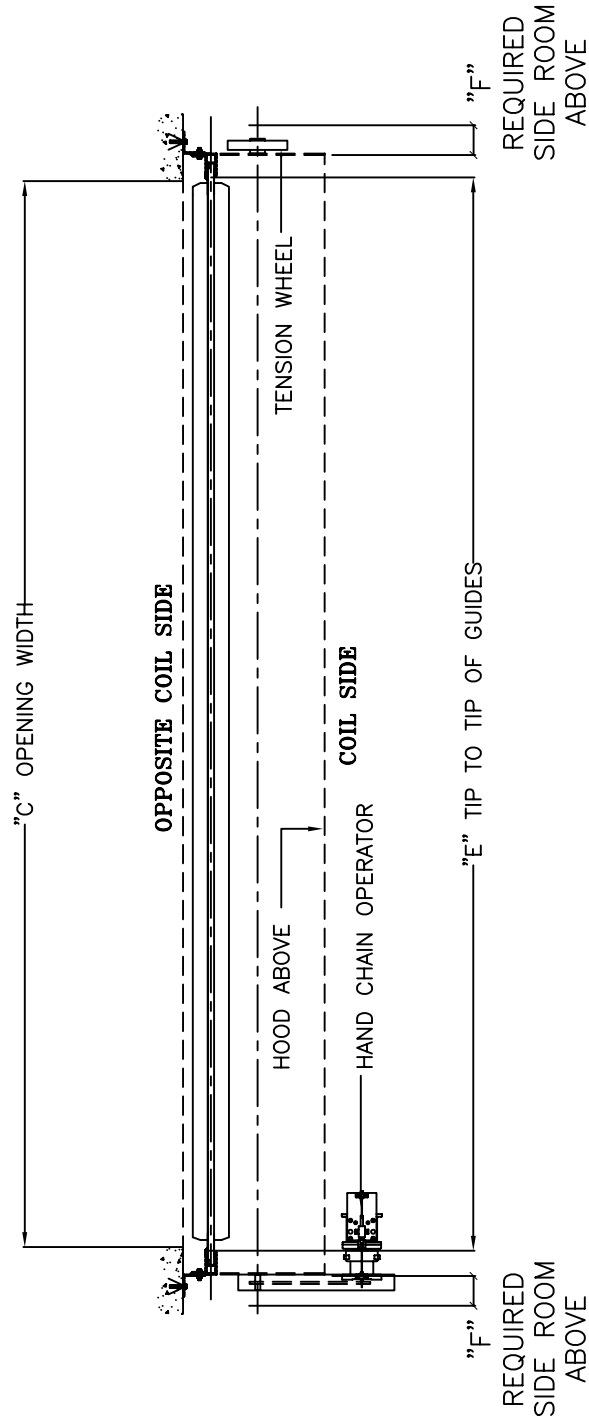
10-20001





INSULATED AUTO-SET FIRE DOOR MODEL FSFD-IS-HC

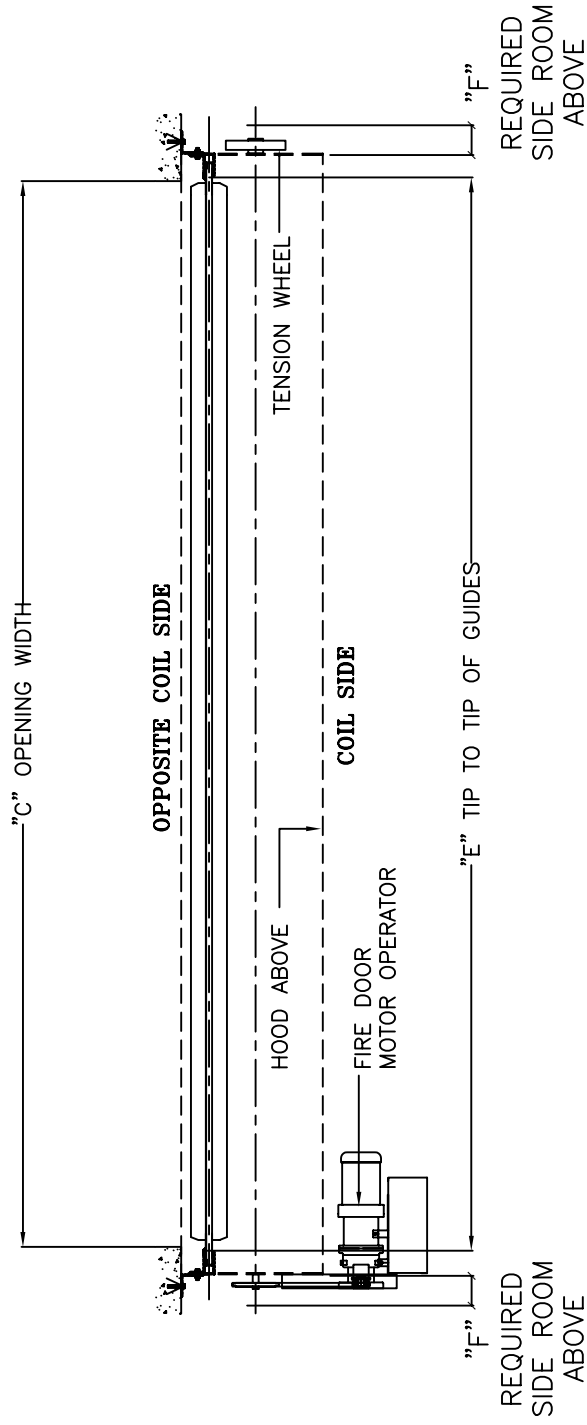
10-30021





INSULATED AUTO-SET FIRE DOOR MODEL FSFD-IS-M

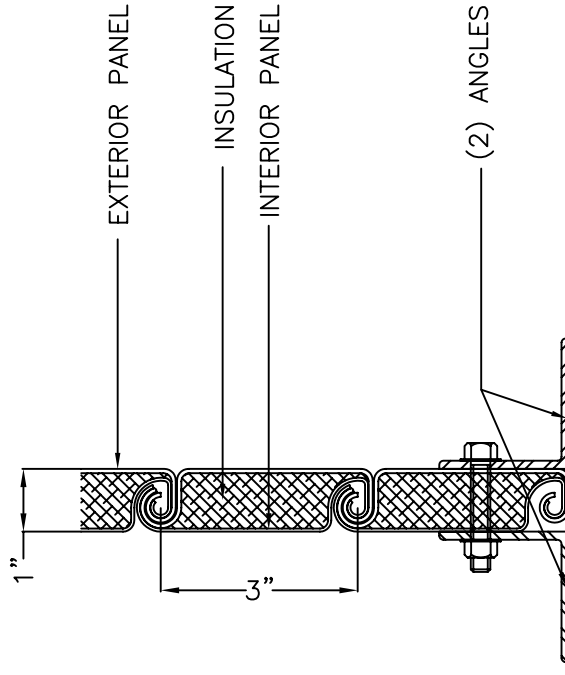
10-30001



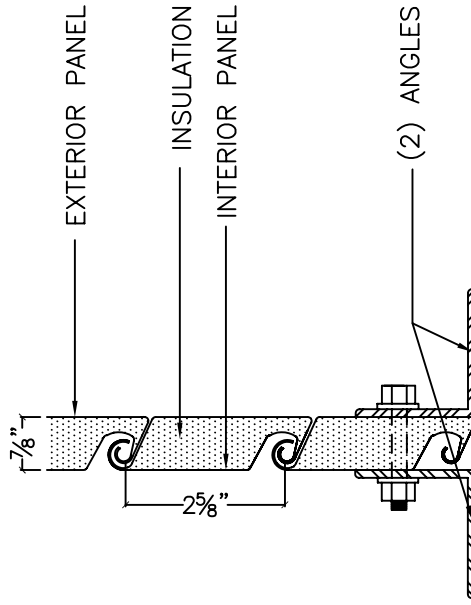


INSULATED AUTO-SET FIRE DOOR MODEL FSFD-IS-HC

10-42102



20, 18 OR 16 GAUGE CURTAINS



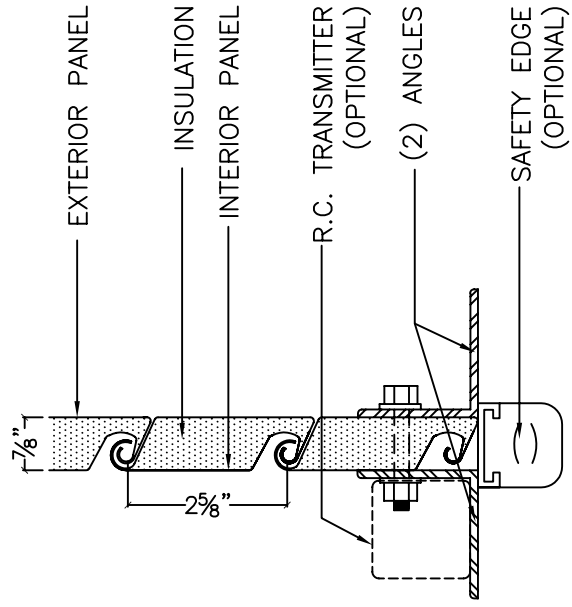
22 GAUGE CURTAINS



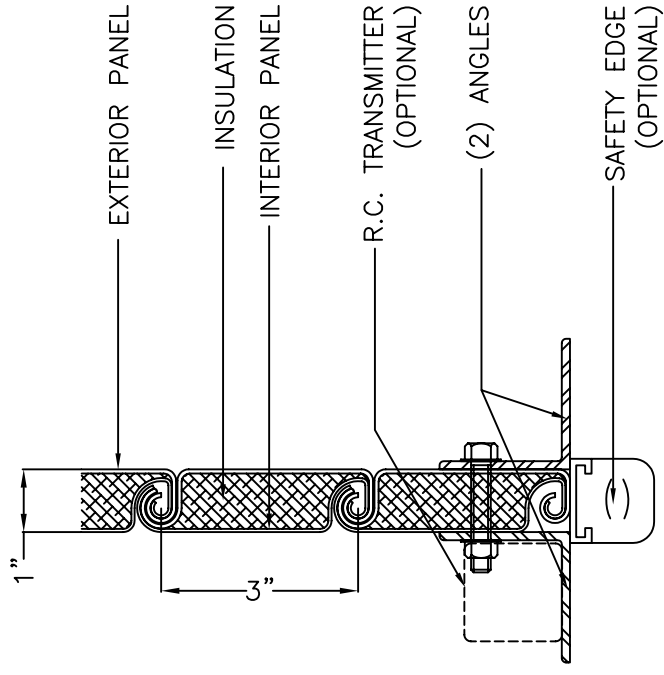


INSULATED AUTO-SET FIRE DOOR MODEL FSFD-IS-M

10-42101



22 GAUGE CURTAINS

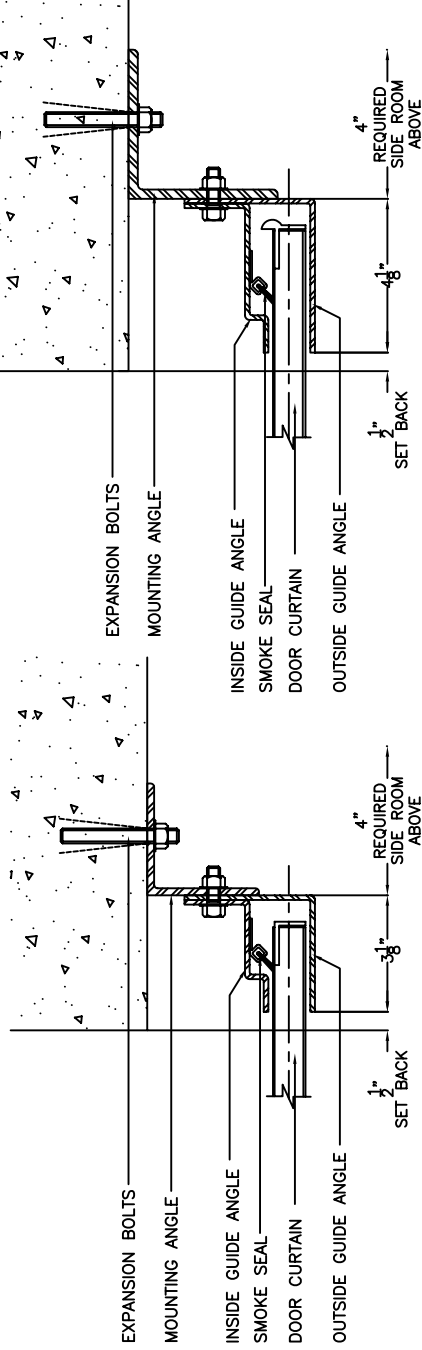


20, 18 OR 16 GAUGE CURTAINS

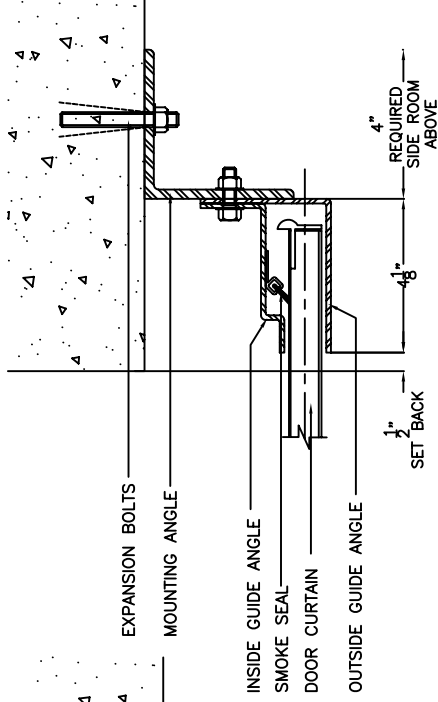


# INSULATED AUTO-SET FIRE DOOR MODEL FSFD-IS

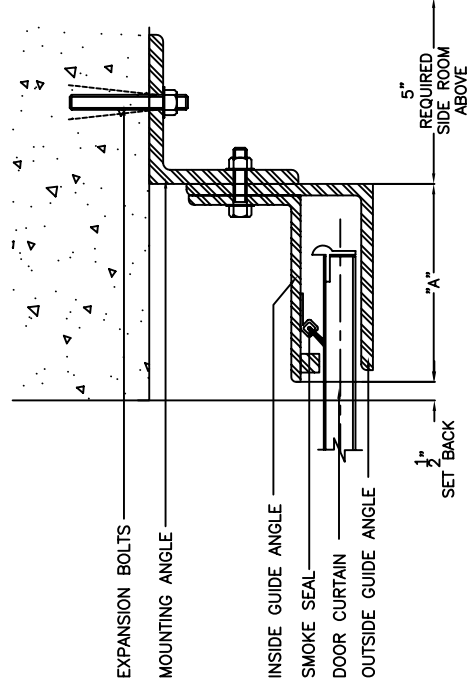
10-43012



UP TO 18'-0" WIDE



18'-1" TO 30'-0" WIDE

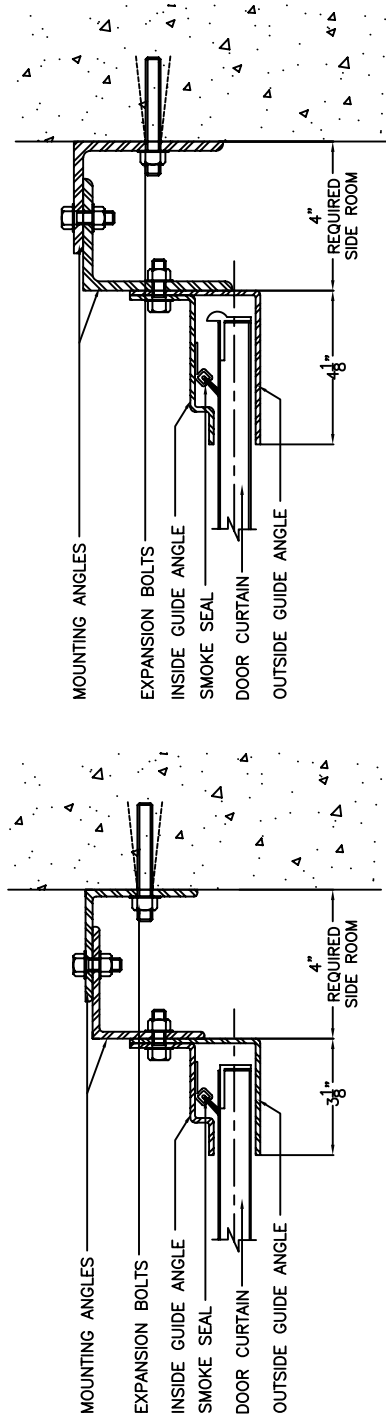


30'-1" TO 45'-0" WIDE - "A" = 5 5/16"  
45'-1" TO 60'-0" WIDE - "A" = 6 3/8"



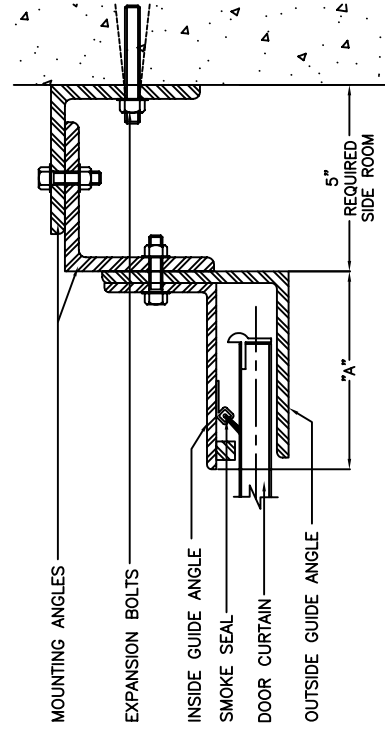
INSULATED AUTO-SET FIRE DOOR MODEL FSFD-IS

10-43022



UP TO 18'-0" WIDE

18'-1" TO 30'-0" WIDE

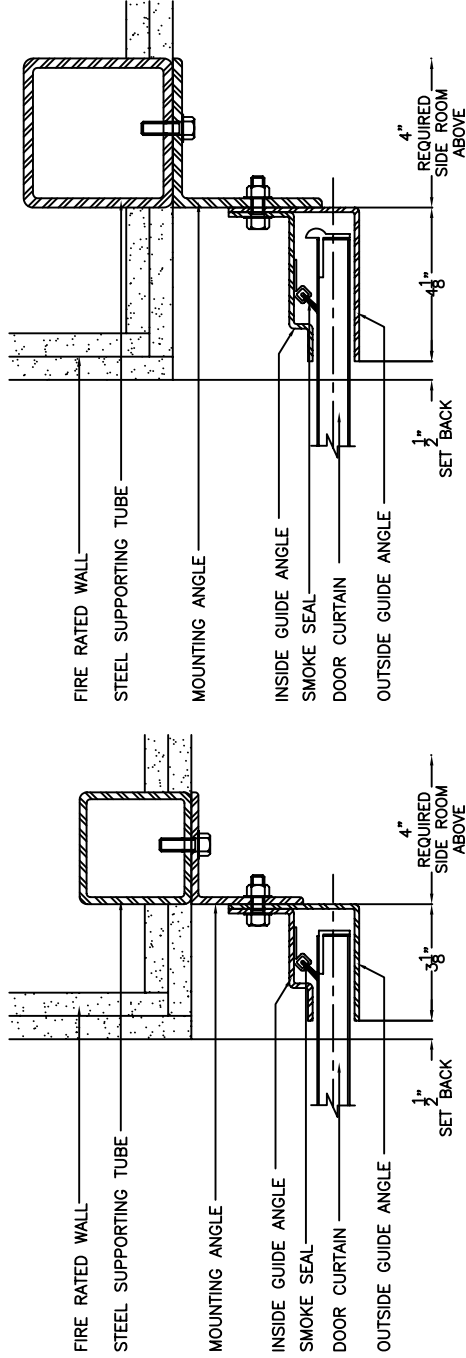


30'-1" TO 45'-0" WIDE - "A" = 5 5/16"  
45'-1" TO 60'-0" WIDE - "A" = 6 3/8"



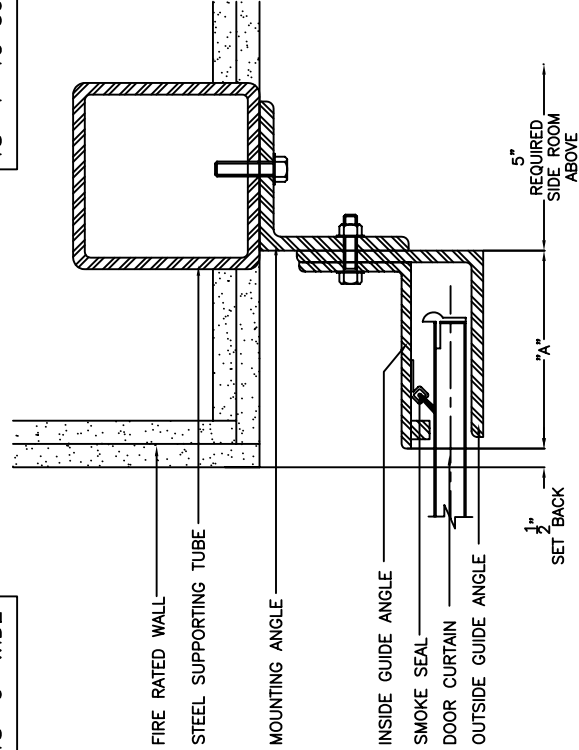
INSULATED AUTO-SET FIRE DOOR MODEL FSFD-IS

10-43062



UP TO 18'-0" WIDE

18'-1" TO 30'-0" WIDE



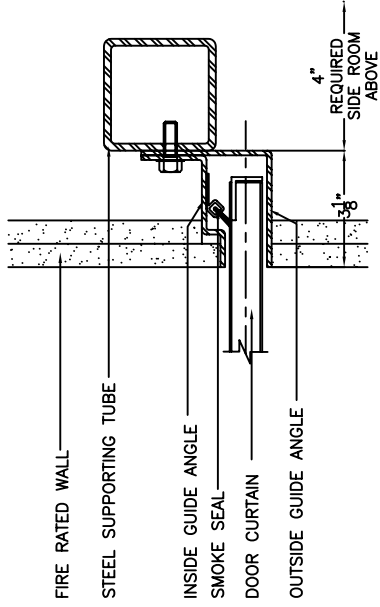
30'-1" TO 45'-0" WIDE - "A" = 5 5/16"  
 45'-1" TO 60'-0" WIDE - "A" = 6 3/8"

NOTE:  
 SUPPORT TUBES ARE  
 REQUIRED TO BE  
 ENCASED IN FIRE  
 RATED CONSTRUCTION

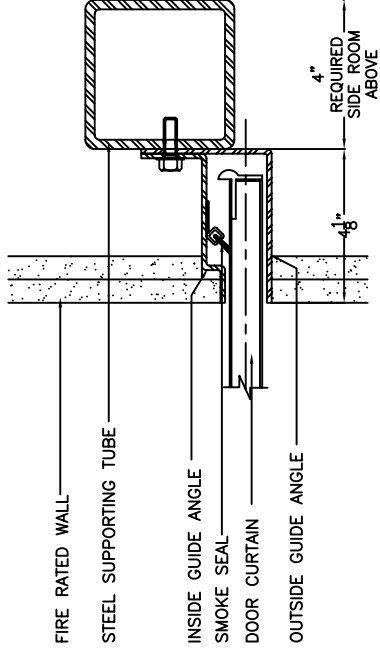


INSULATED AUTO-SET FIRE DOOR MODEL FSFD-IS

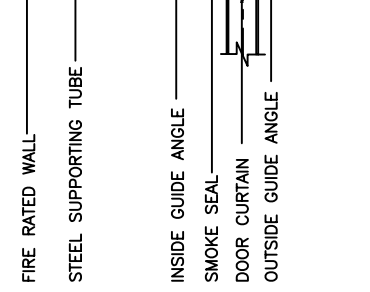
10-43052



UP TO 18'-0" WIDE



18'-1" TO 30'-0" WIDE



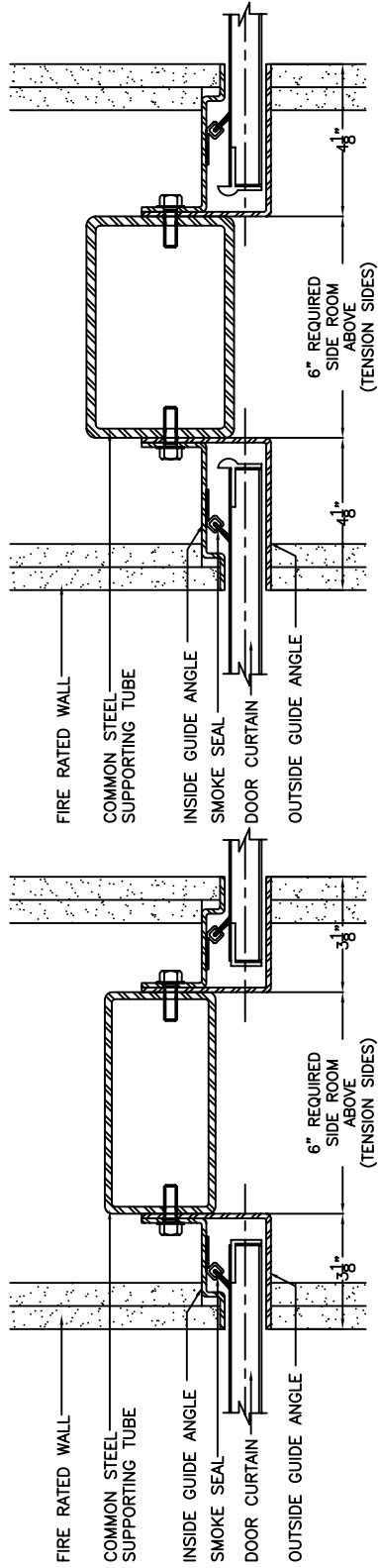
30'-1" TO 45'-0" WIDE - "A" =  $5\frac{5}{16}"$   
45'-1" TO 60'-0" WIDE - "A" =  $6\frac{3}{8}"$

NOTE:  
SUPPORT TUBES ARE  
REQUIRED TO BE  
ENCASED IN FIRE  
RATED CONSTRUCTION



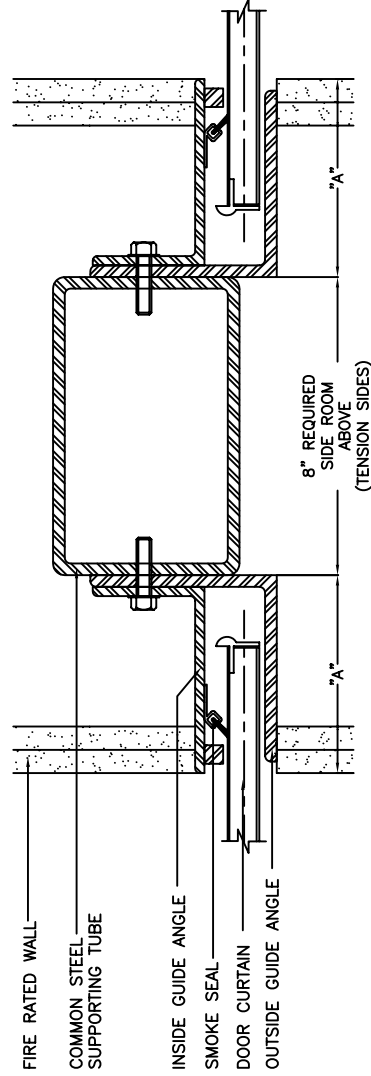
# INSULATED AUTO-SET FIRE DOOR MODEL FSFD-IS

10-43072



UP TO 18'-0" WIDE

18'-1" TO 30'-0" WIDE



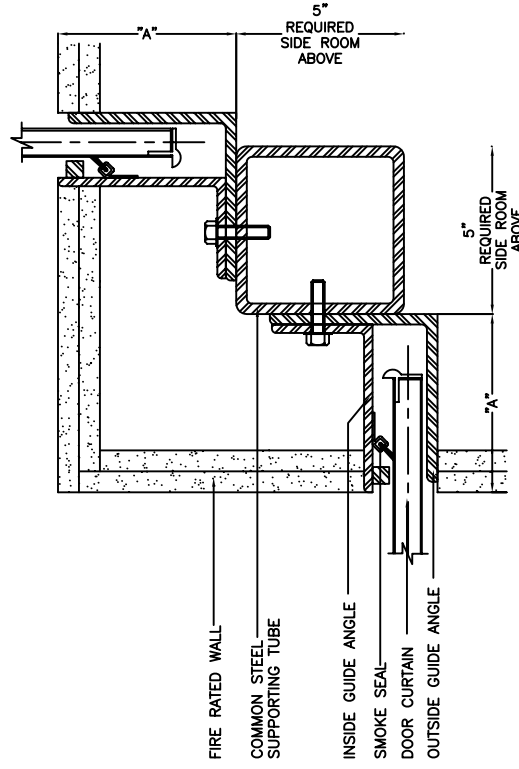
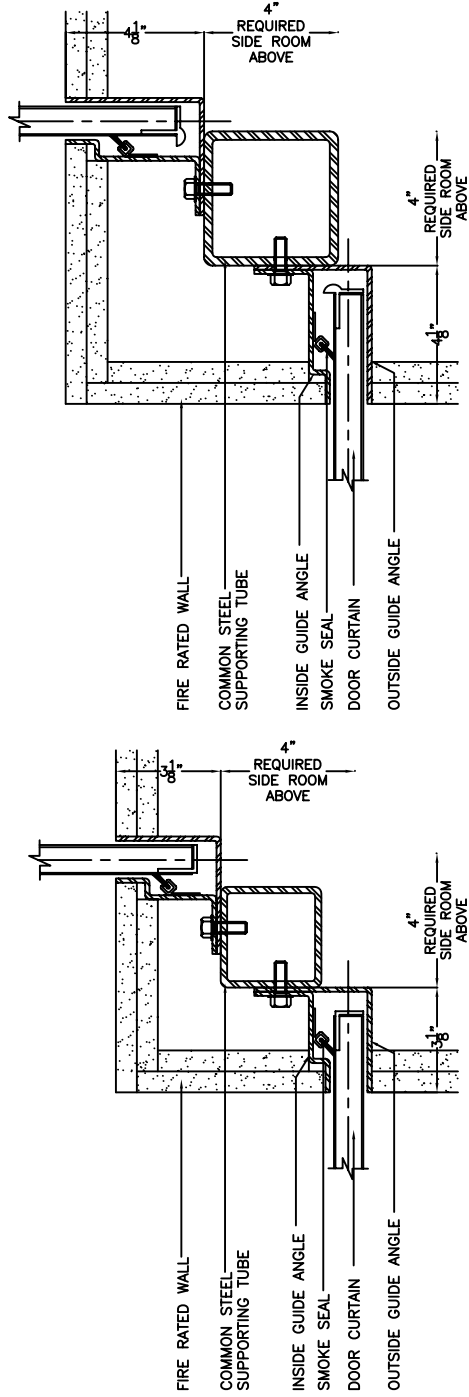
30'-1" TO 45'-0" WIDE - "A" = 5 1/16"  
45'-1" TO 60'-0" WIDE - "A" = 6 3/8"

NOTE:  
SUPPORT TUBES ARE  
REQUIRED TO BE  
ENCASED IN FIRE  
RATED CONSTRUCTION



# INSULATED AUTO-SET FIRE DOOR MODEL FSFD-IS

10-43082



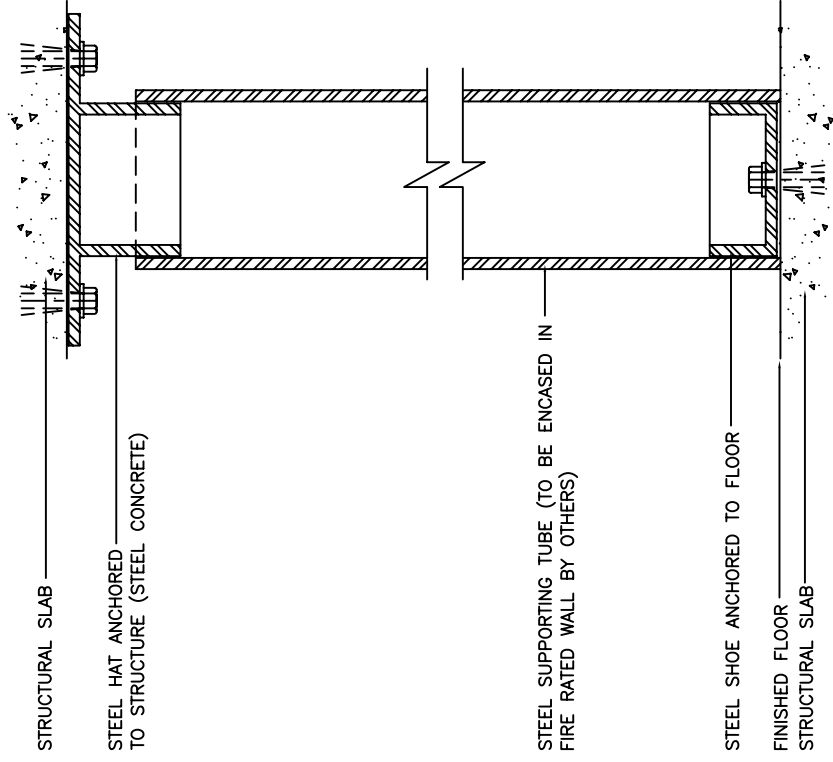
NOTE:  
SUPPORT TUBES ARE  
REQUIRED TO BE  
ENCASED IN FIRE  
RATED CONSTRUCTION

30'-1" TO 45'-0" WIDE - "A" = 5<sup>5</sup>/<sub>16</sub>"  
45'-1" TO 60'-0" WIDE - "A" = 6<sup>3</sup>/<sub>8</sub>"



INSULATED AUTO-SET FIRE DOOR MODEL FSFD-IS

10-45000



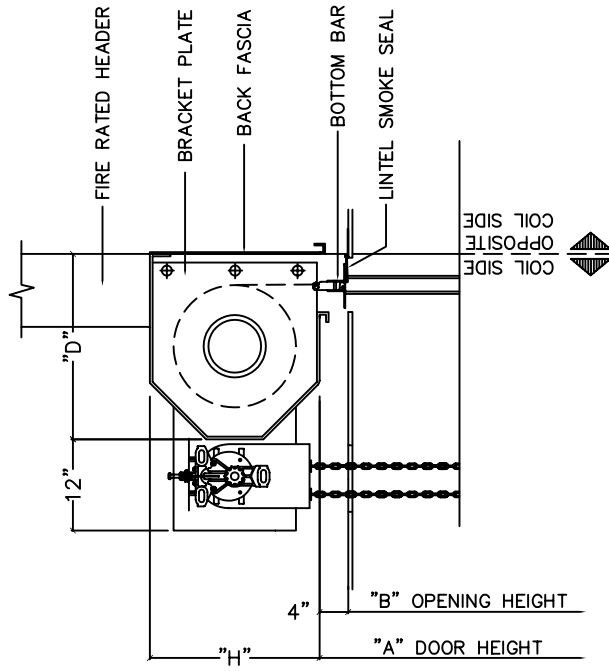
SUPPORTING TUBE DETAIL



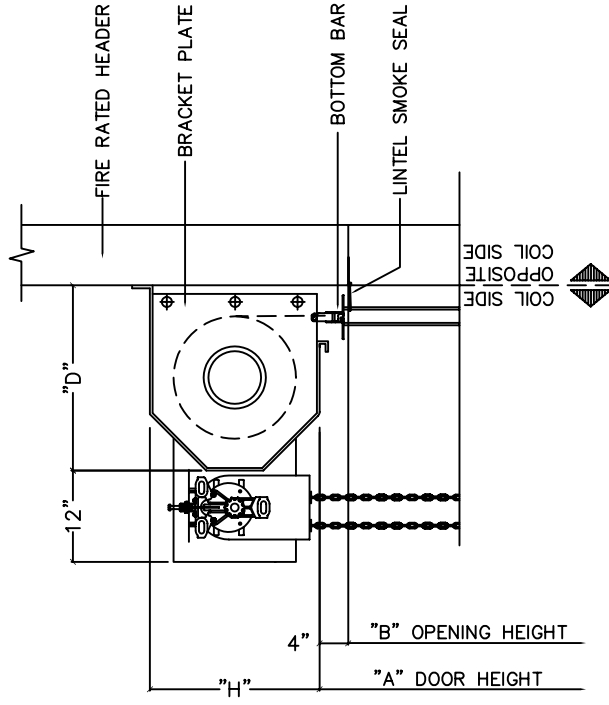


INSULATED AUTO-SET FIRE DOOR MODEL FSFD-IS-HC

10-44021



**BETWEEN JAMB**



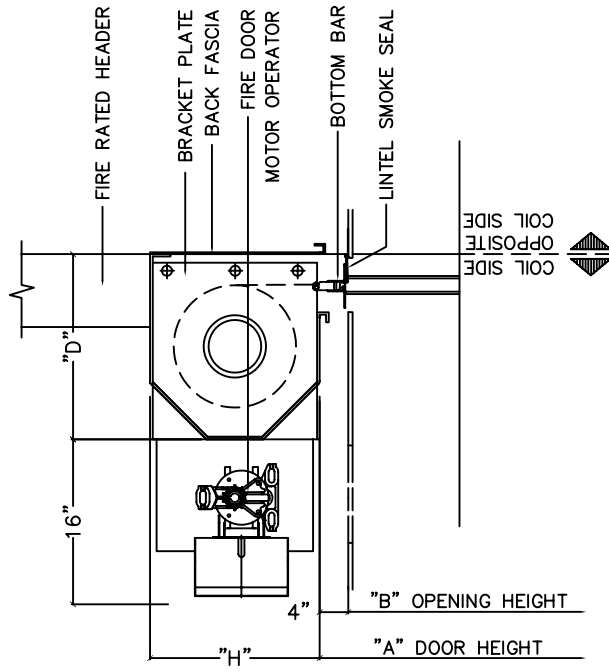
**FACE MOUNTED**

HOOD MEASURED "H" X "D"  
SEE HOOD SELECTION CHART

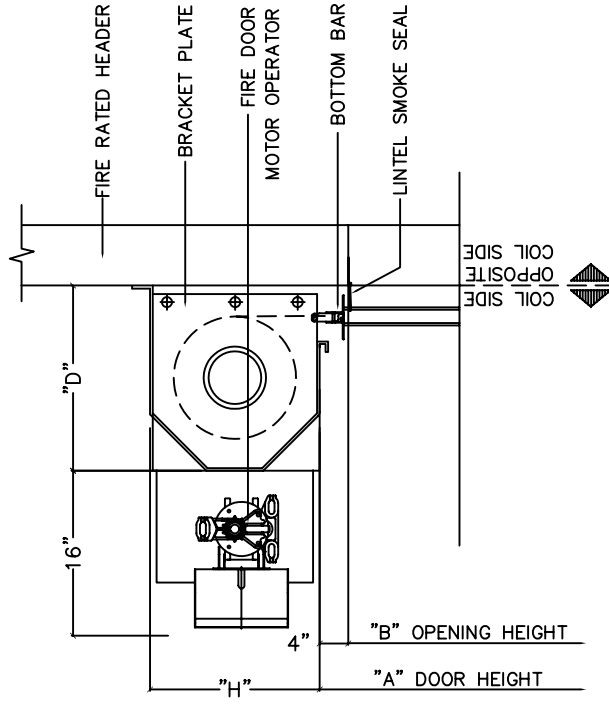


INSULATED AUTO-SET FIRE DOOR MODEL FSFD-IS-M

10-44001



**BETWEEN JAMB**



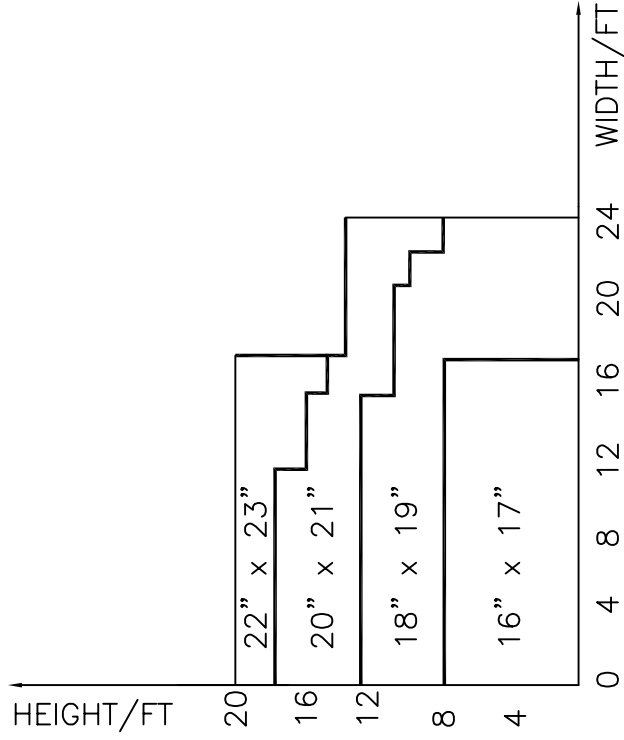
**FACE MOUNTED**

HOOD MEASURED "H" X "D"  
SEE HOOD SELECTION CHART

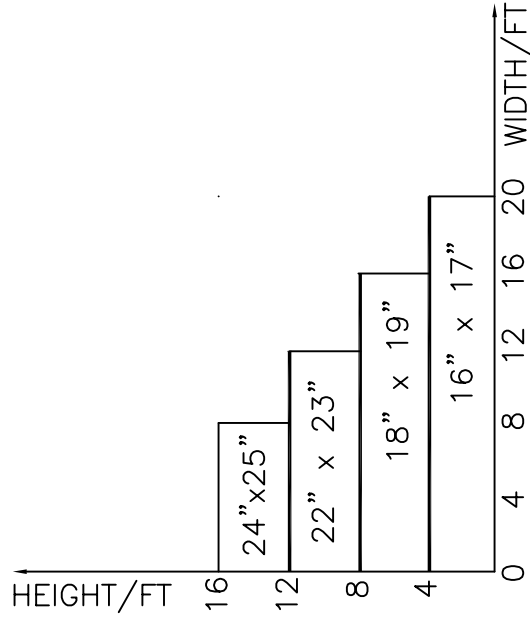


INSULATED AUTO-SET FIRE DOOR MODEL FSFD-IS-HC

10-50001



22 GAUGE CURTAINS

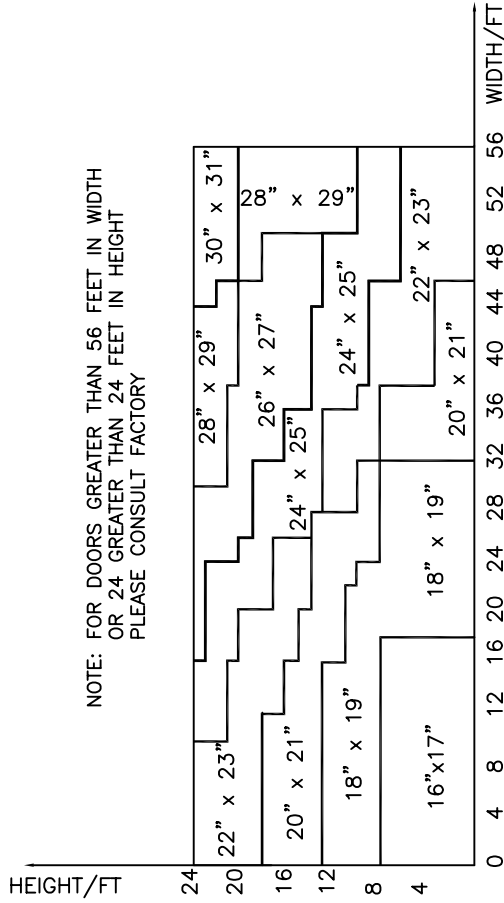


20, 18 OR 16 GAUGE CURTAINS

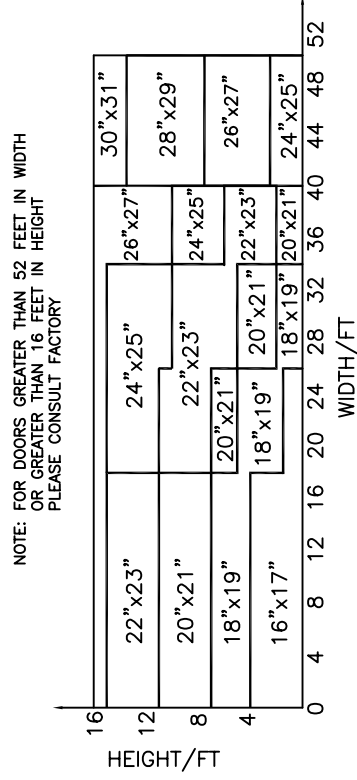


INSULATED AUTO-SET FIRE DOOR MODEL FSFD-IS-M

10-50000



22 GAUGE CURTAINS

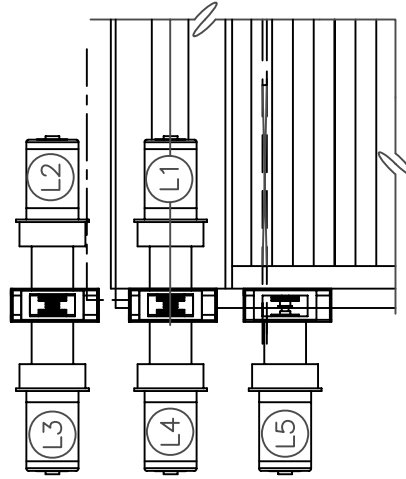


20, 18 OR 16 GAUGE CURTAINS

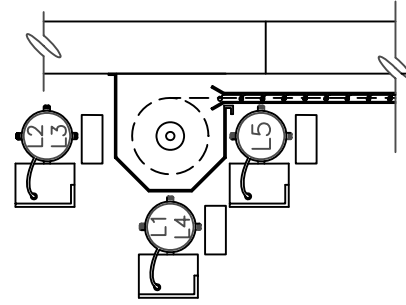


INSULATED AUTO-SET FIRE DOOR MODEL FSFD-IS-M

10-49000



OPTIONAL MOTOR LOCATIONS  
LEFT HAND



OPTIONAL MOTOR LOCATIONS  
RIGHT HAND

