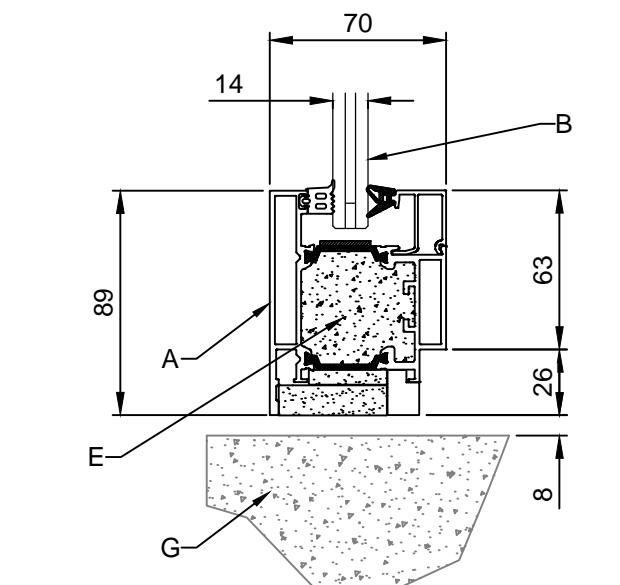
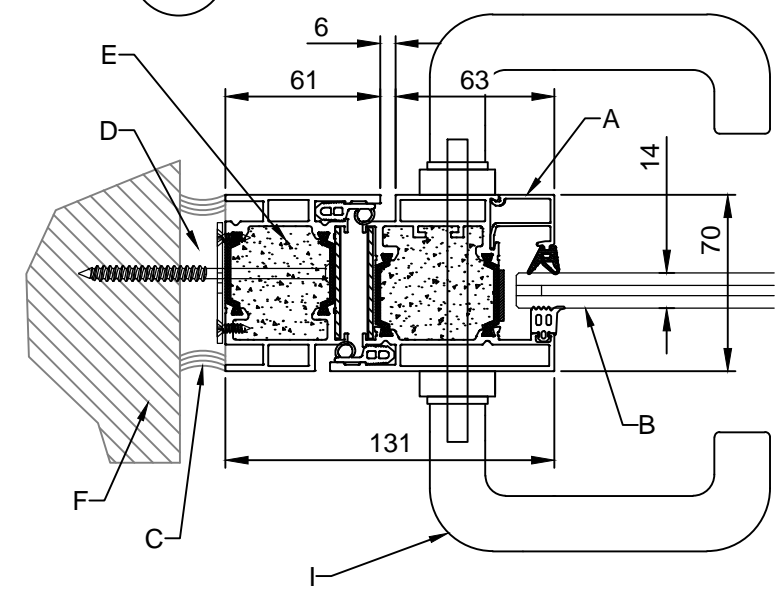


1 PIVOT JAMB SECTION

3 DOOR HEADER SECTION



2 LOCKING JAMB SECTION


4 BOTTOM DOOR RAIL SECTION

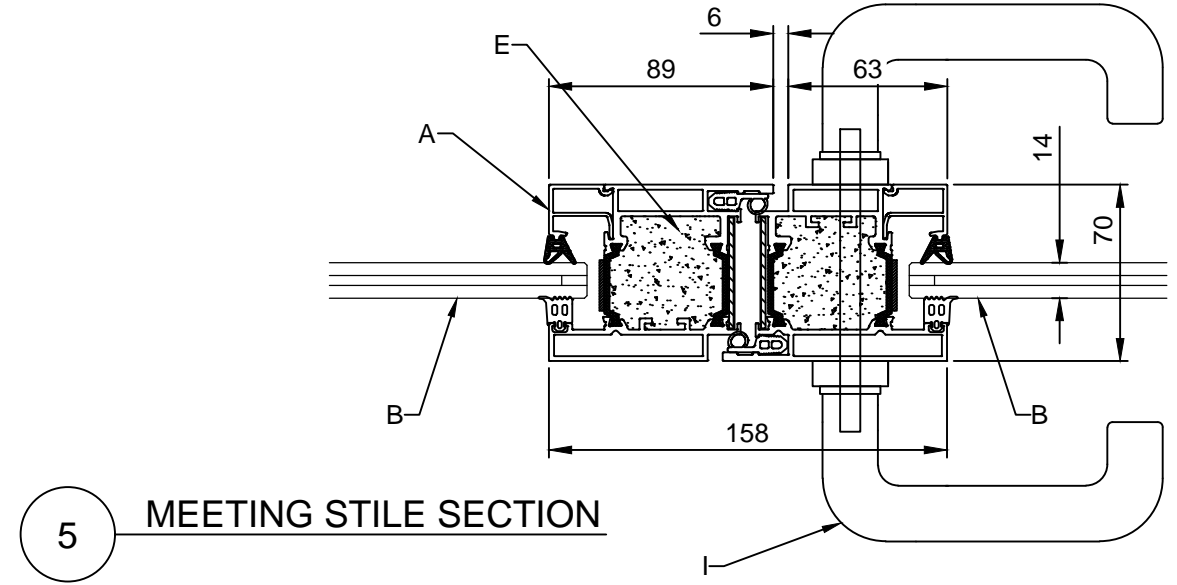
SINGLE DOOR
DOUBLE DOORS
FRL -/60/45

ALUFLAM
AF70
VETROTECH
CONTRAFLAM LITE 60
TOTAL THICKNESS: 14mm
MAX DOOR SIZE:
1200mm(W) X 2500mm(H)

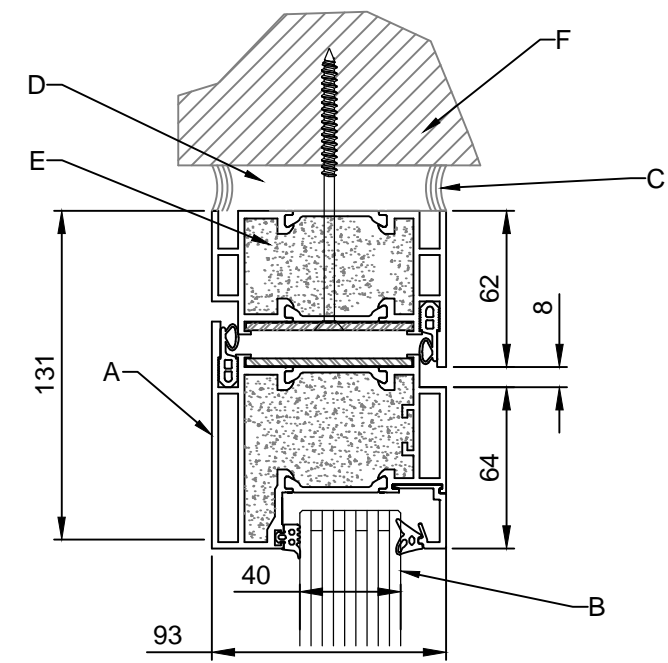
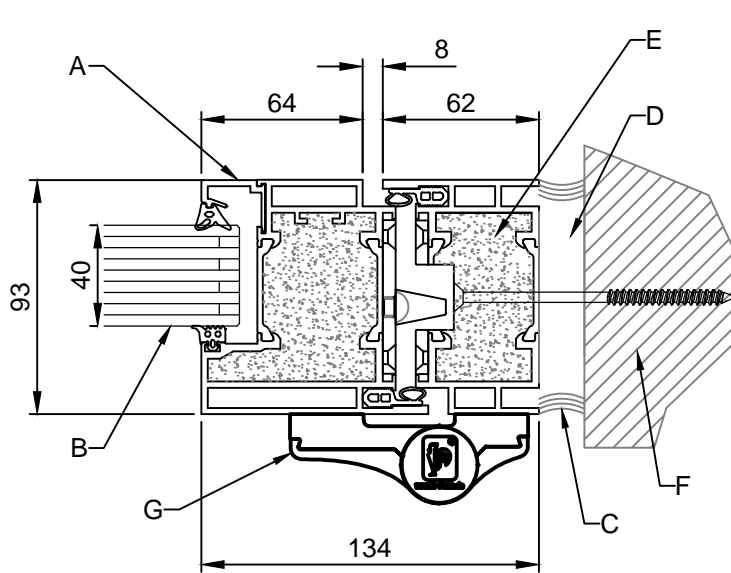
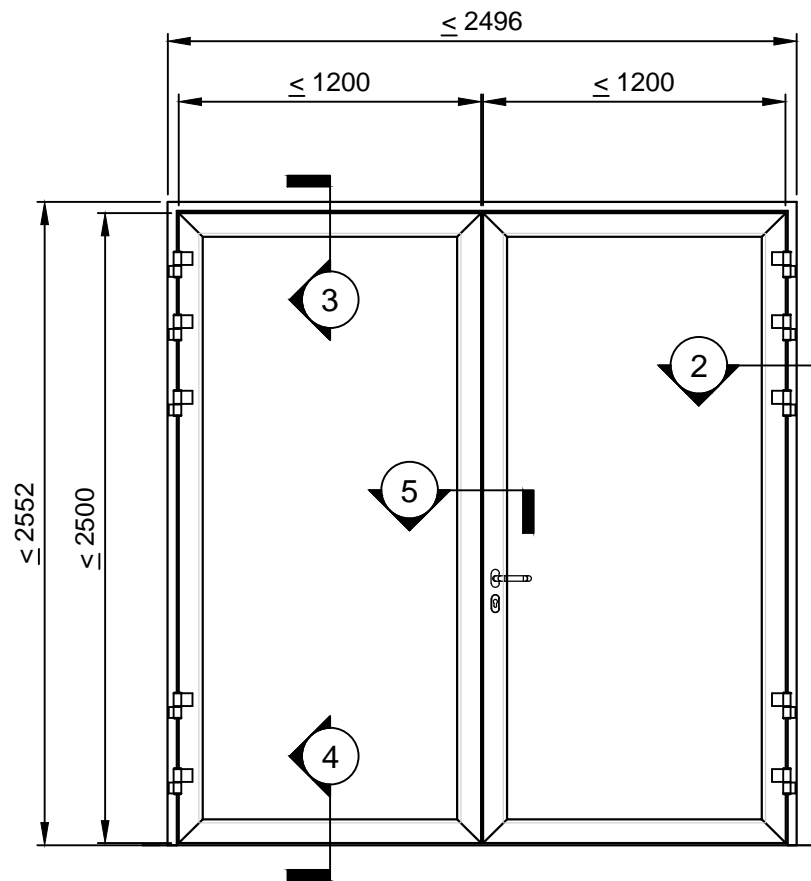
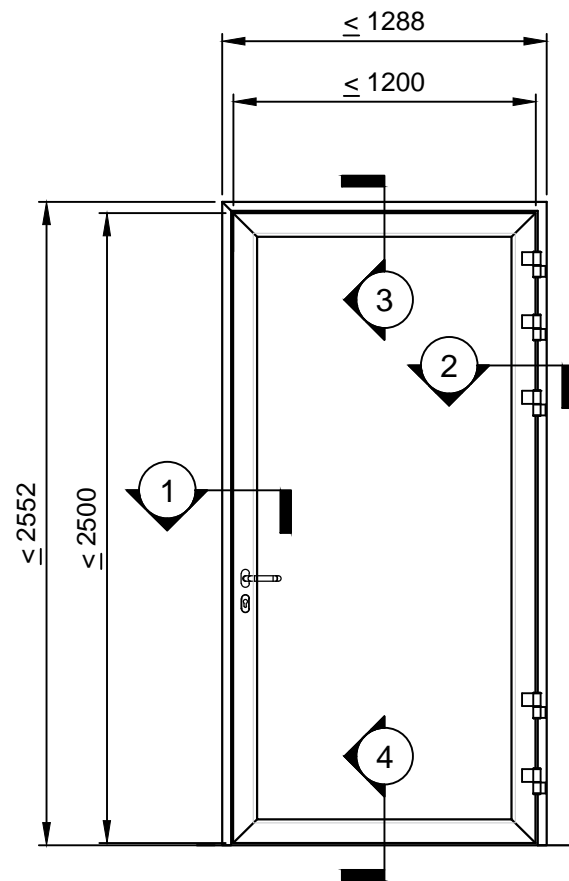
A	ALUFLAM AF70 FRAME
B	CONTRAFLAM LITE 60 FIRE-RATED GLASS (14mm THICK)
C	FIRE-RATED CAULKING/ SILICONE
D	MINERAL WOOL
E	FACTORY FILLED ALUFLAM FIRE-RATED CONCRETE CORE
F	120/120/120 FIRE-RATED WALL OF CONCRETE / PLASTERBOARD
G	CONCRETE SLAB
H	3 OFF HINGES
I	LOCKSET

NOTE - SIZES OUTSIDE THESE STANDARDS - PLEASE CONTACT GREENE FIRE

 <p>Unit 12, 7-11 Parraweena Road, Taren Point NSW 2229</p> <p>Tel: (02) 9526 3100 Fax: (02) 9526 3111 Email: info@greenefire.com.au Web: www.greenefire.com.au</p>	DRAWN: JC	TITLE: AF70 - DOORS - CONTRAFLAM LITE 60
	CHECKED: CGE	<small>ALL RIGHTS RESERVED. THIS DESIGN MAY NOT BE REPRODUCED IN ANY MATERIAL FORM, INCLUDING ELECTRONICALLY WITHOUT THE WRITTEN PERMISSION OF THE COPYRIGHT NAMES</small> ALL DIMENSION IN MILLIMETERS UNLESS OTHERWISE STATED
APPROVED: CGE	DRAWING NO: AF70D-CFL60-01	ISSUE: A DATE: 16.11.2018

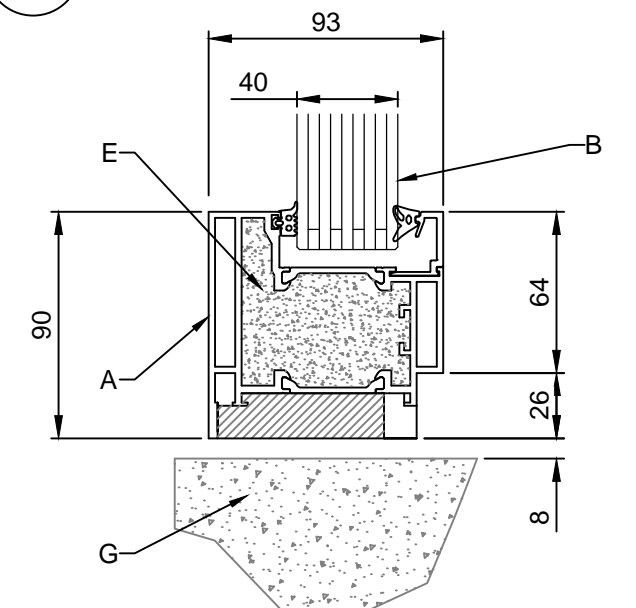
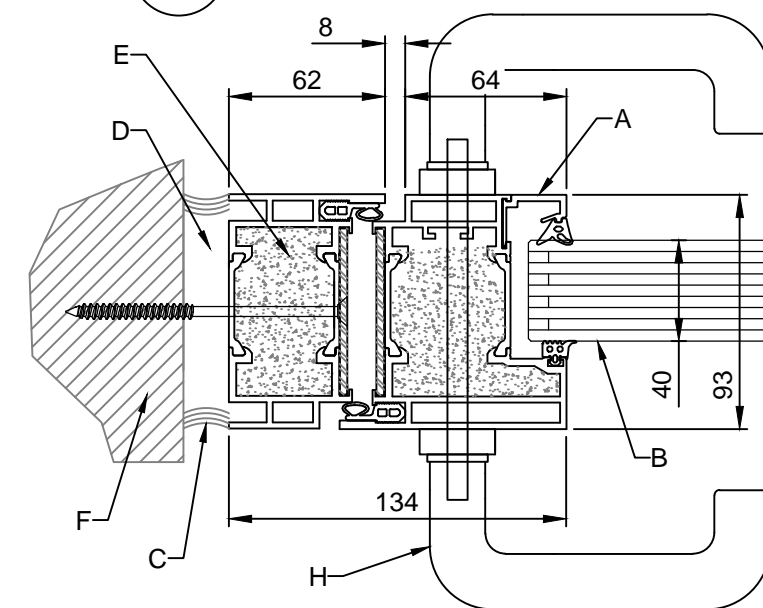


5 MEETING STILE SECTION



1 PIVOT JAMB SECTION

3 DOOR HEADER SECTION



2 LOCKING JAMB SECTION

4 BOTTOM DOOR RAIL SECTION

SINGLE DOOR
DOUBLE DOORS
FRL -/120/90

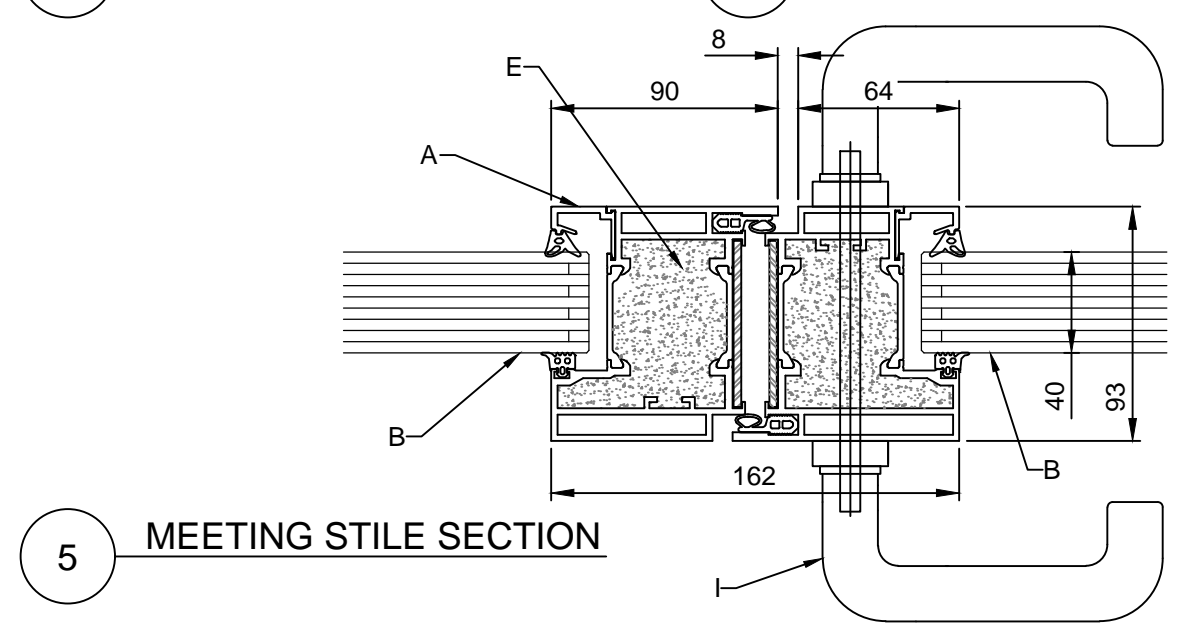
ALUFLAM
AF91
VETROTECH
CONTRAFLAM 90
TOTAL THICKNESS: 40mm
MAX DOOR SIZE:
1200mm(W) X 2500mm(H)

A	ALUFLAM AF91 FRAME
B	CONTRAFLAM 90 FIRE-RATED GLASS (40mm THICK)
C	FIRE-RATED CAULKING/ SILICONE
D	MINERAL WOOL
E	FACTORY FILLED ALUFLAM FIRE-RATED CONCRETE CORE
F	120/120/120 FIRE-RATED WALL OF CONCRETE / PLASTERBOARD
G	CONCRETE SLAB
H	5 OFF HINGES
I	LOCKSET

NOTE - SIZES OUTSIDE THESE STANDARDS - PLEASE CONTACT GREENE FIRE

Unit 12, 7-11 Parraweena Road,
Taren Point NSW 2229
Tel: (02) 9526 3100
Fax: (02) 9526 3111
Email: info@greenefire.com.au
Web: www.greenefire.com.au

DRAWN: JC	TITLE: AF91 - DOORS - CONTRAFLAM 90
CHECKED: CGE	ALL RIGHTS RESERVED. THIS DESIGN MAY NOT BE REPRODUCED IN ANY MATERIAL FORM, INCLUDING ELECTRONICALLY WITHOUT THE WRITTEN PERMISSION OF THE COPYRIGHT NAMES
APPROVED: CGE	DRAWING NO: AF91D-CF90-01
	ISSUE: A DATE: 16.11.2018



5 MEETING STILE SECTION