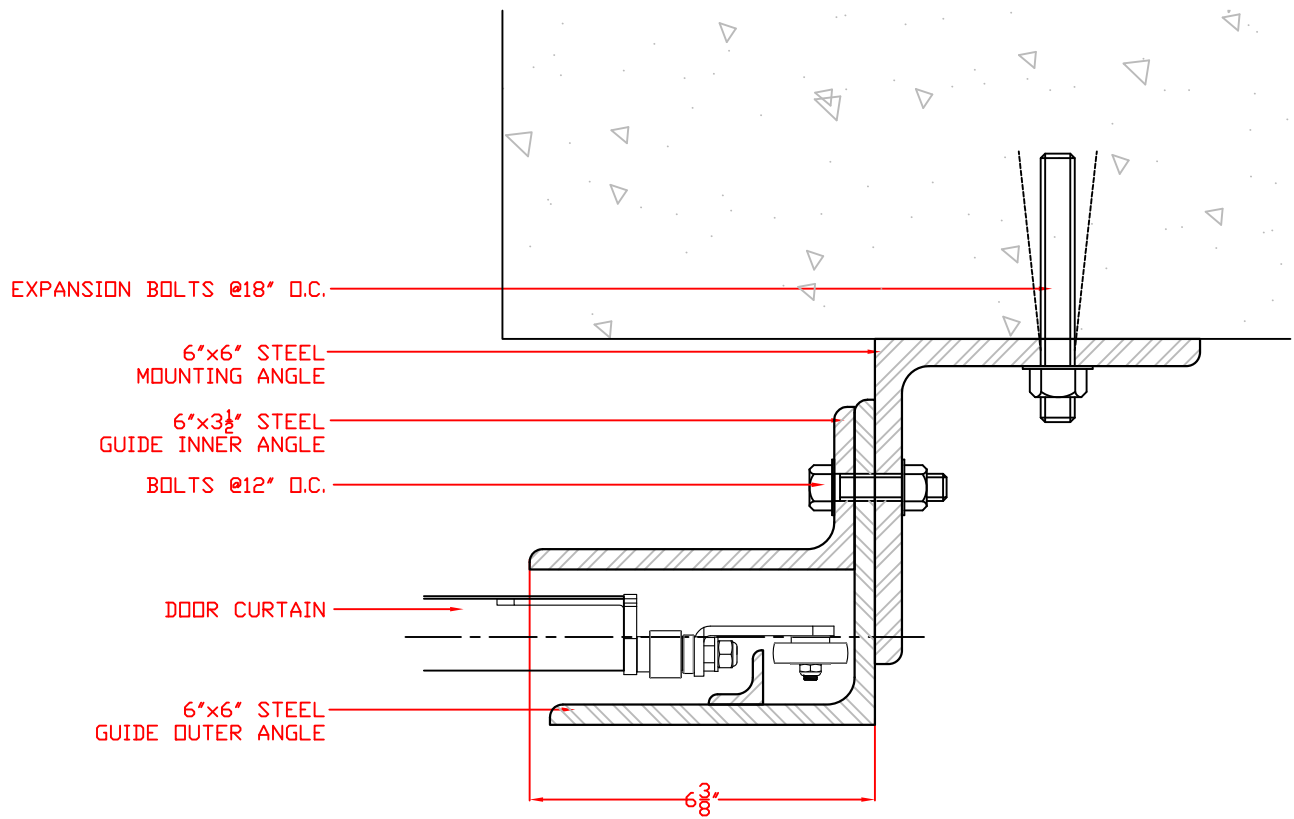
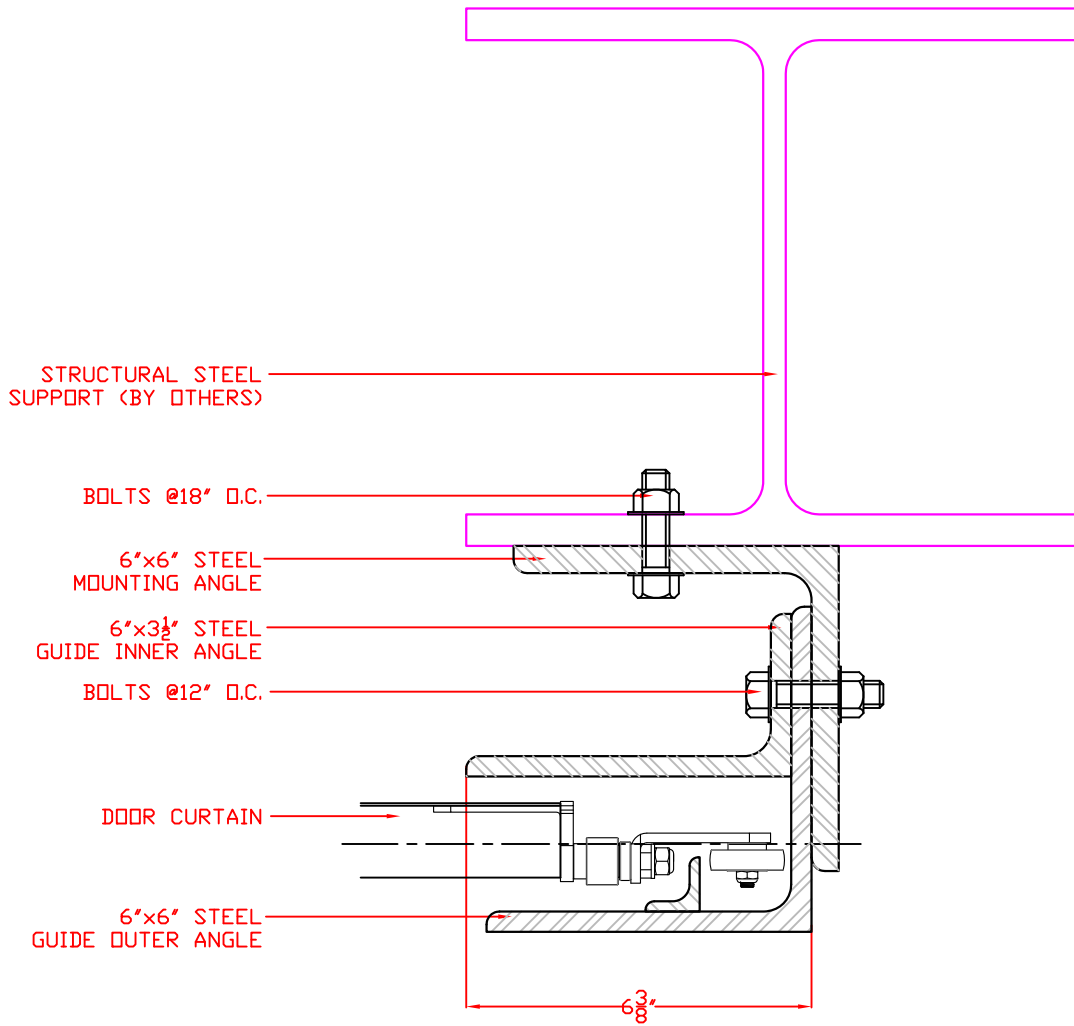
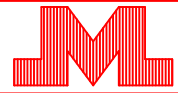


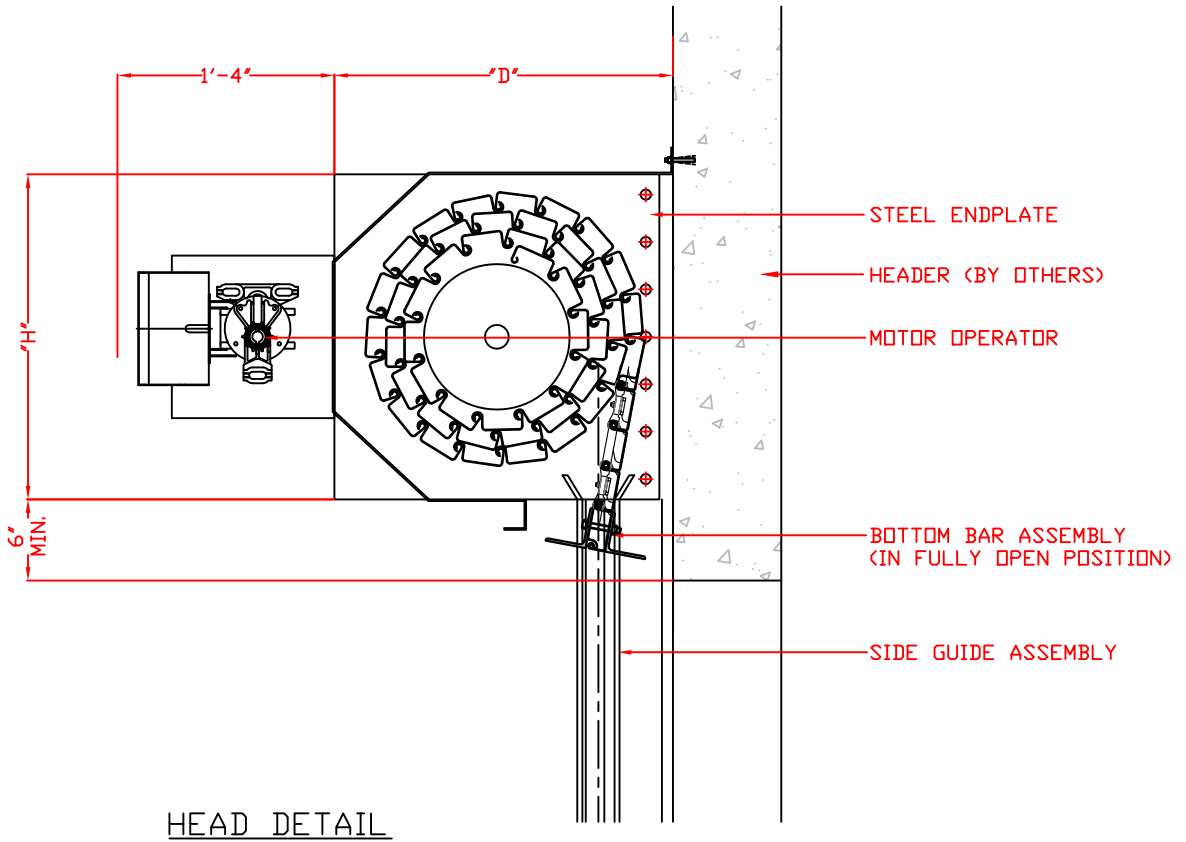
ELEVATION



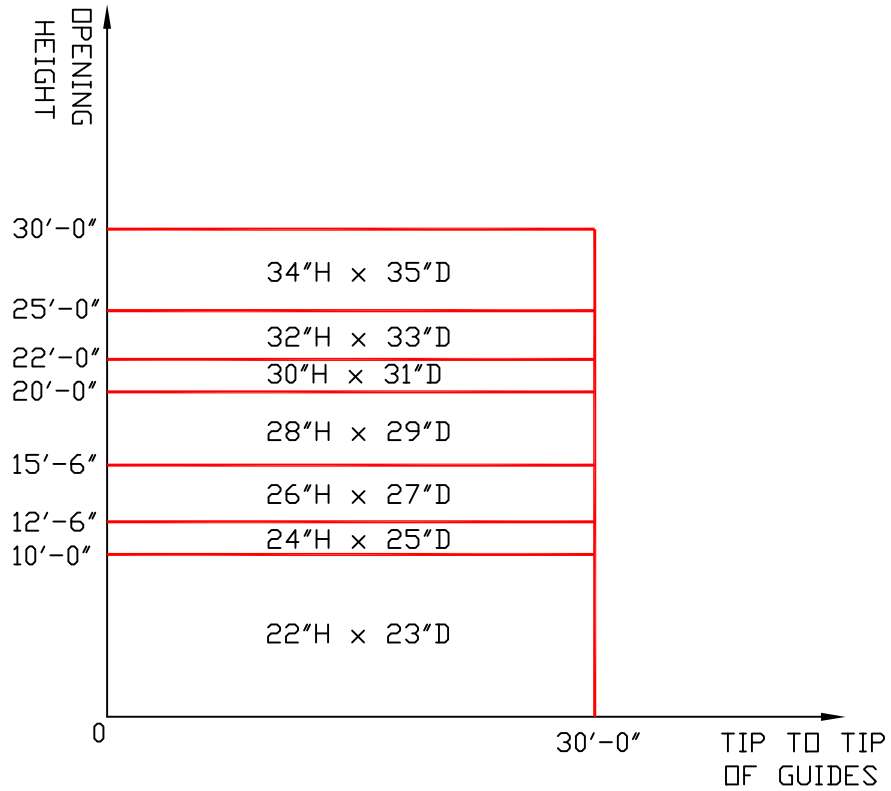
GUIDE ASSEMBLY DETAIL - CONCRETE MOUNT APPLICATION



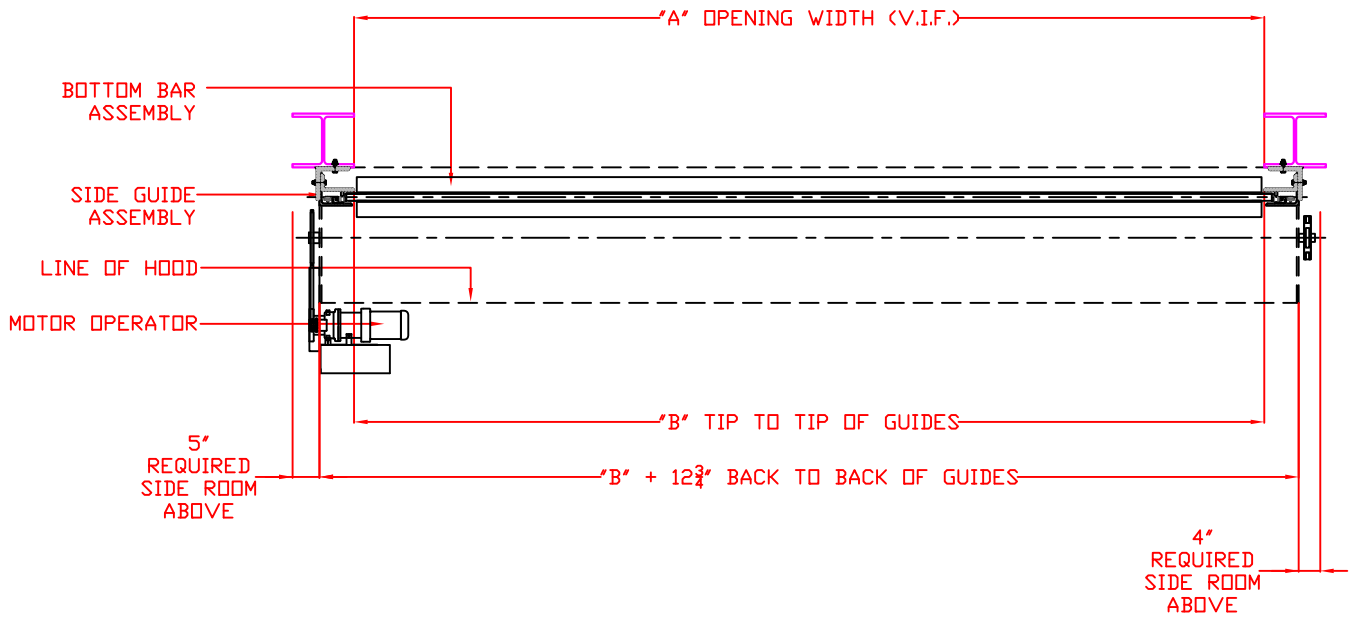
GUIDE ASSEMBLY DETAIL - STEEL MOUNT APPLICATION



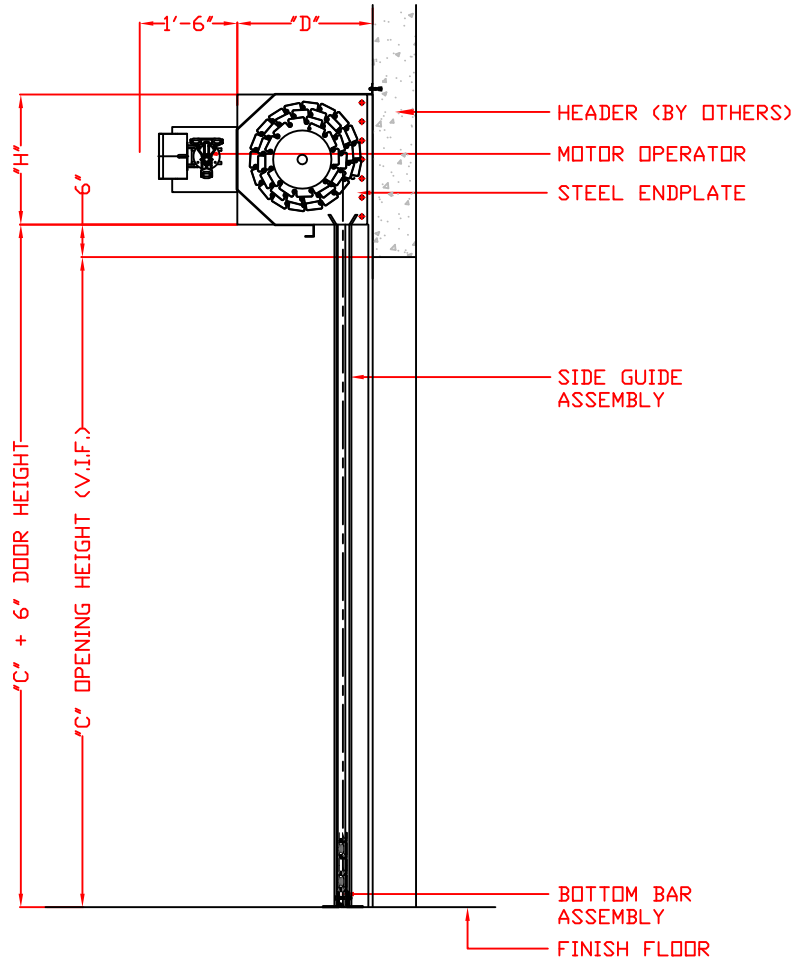
HEAD DETAIL



HOOD DIMENSION CHART



PLAN



SECTION