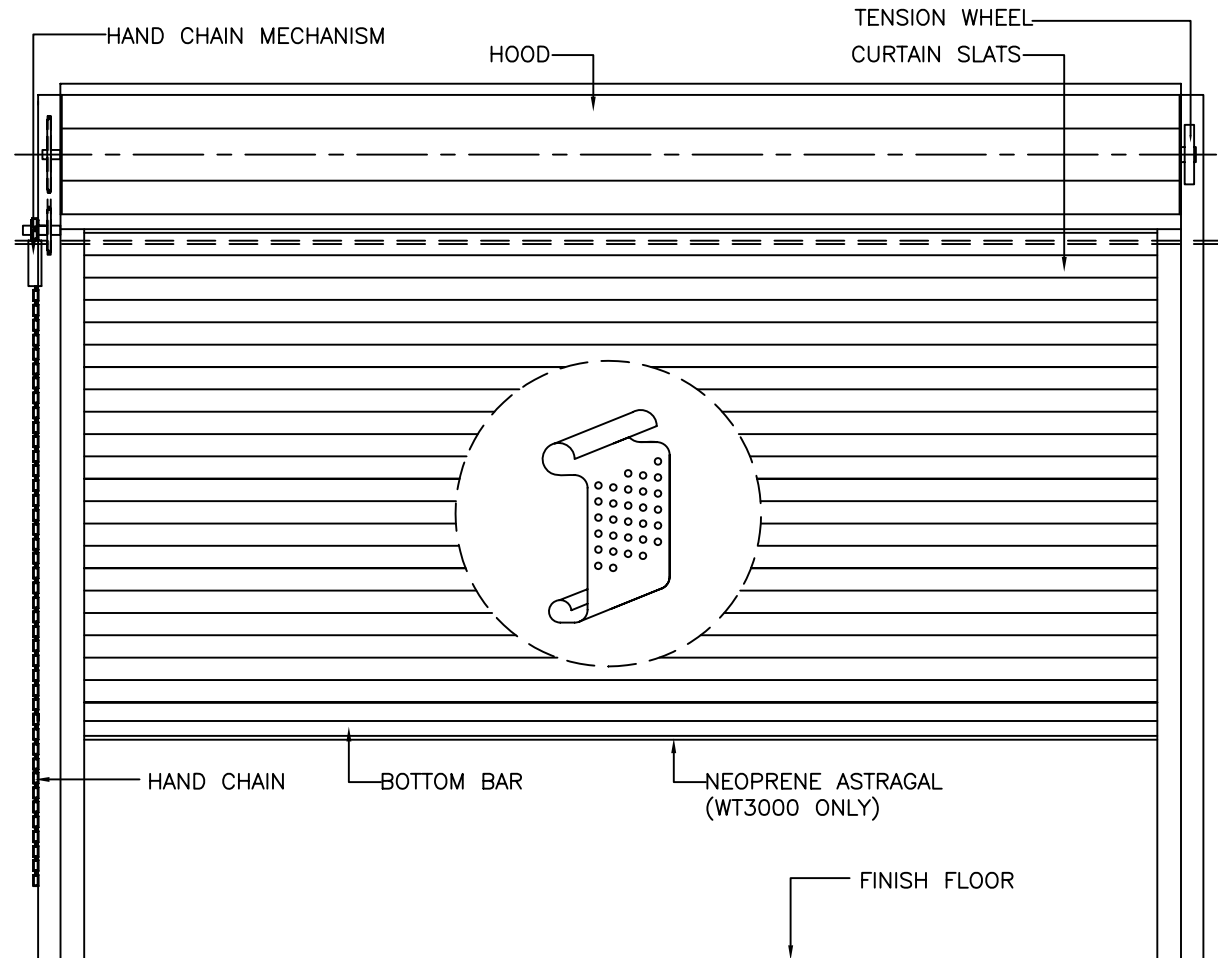




PERFORATED COILING SERVICE DOOR MODEL PF3000-HC

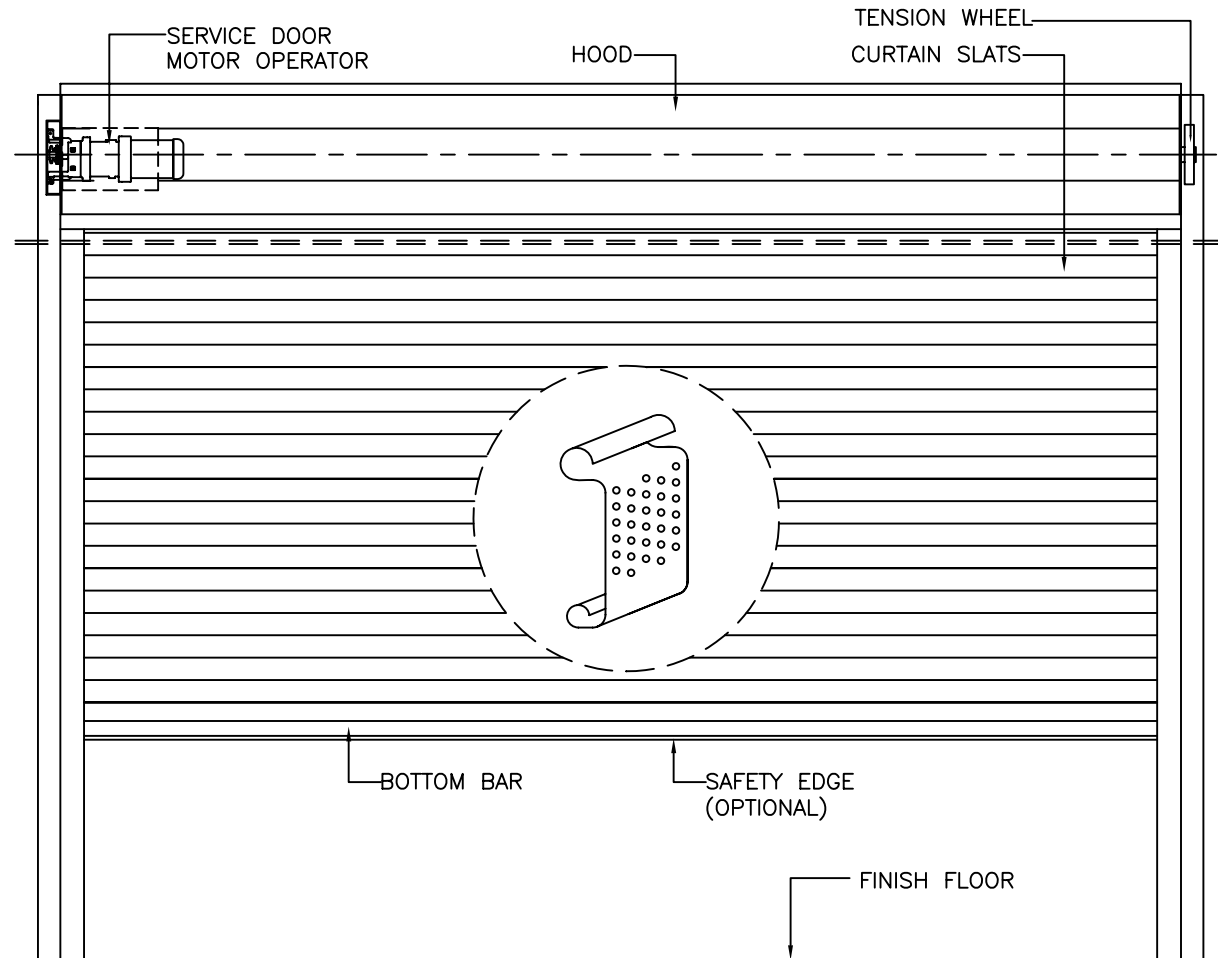
22-10021





PERFORATED COILING SERVICE DOOR MODEL PF3000-M

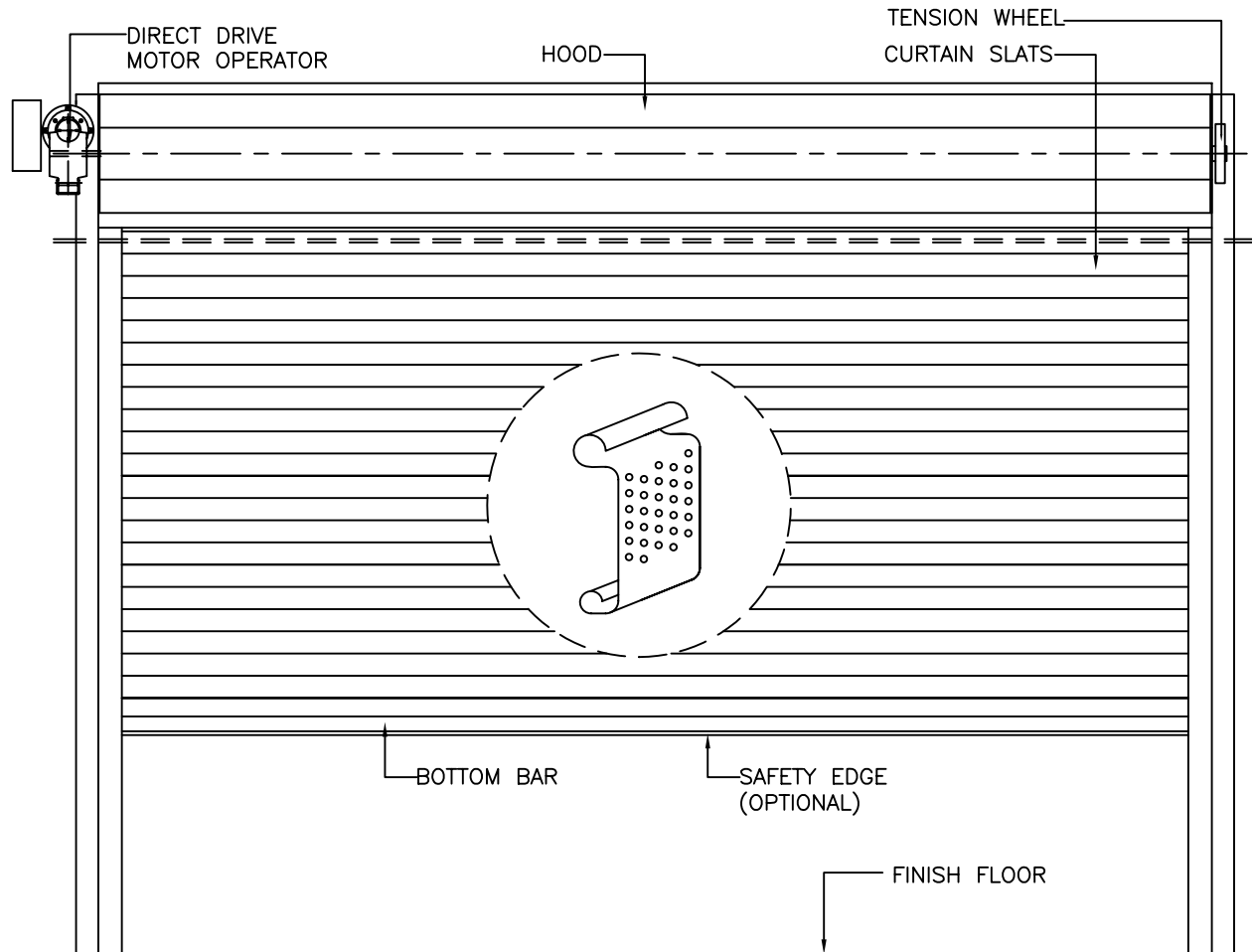
22-10001





PERFORATED COILING SERVICE DOOR MODEL PF3000-ADF

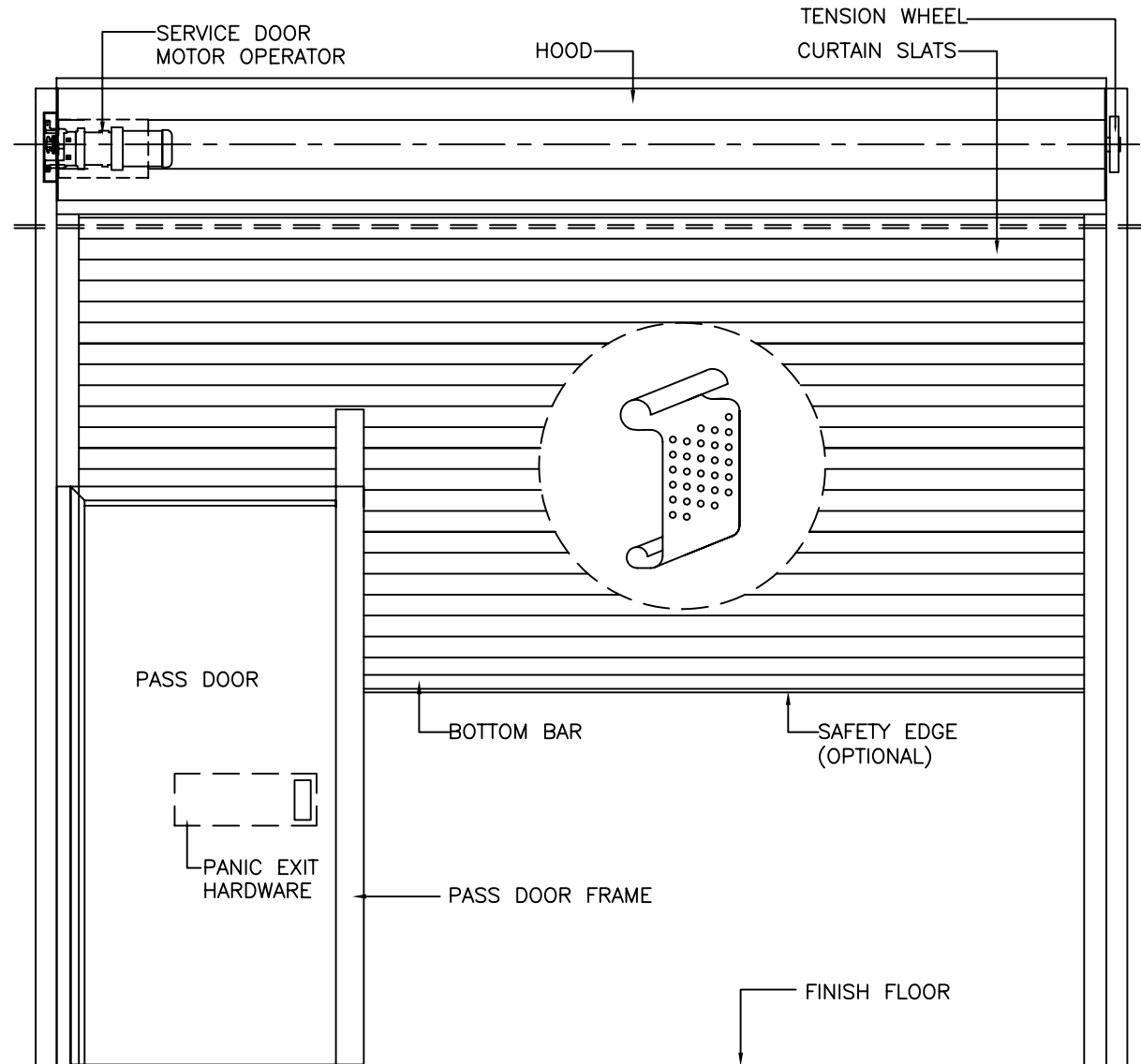
22-10011





PERFORATED COILING SERVICE DOOR W/PASS DOOR MODEL PF3000-M-E

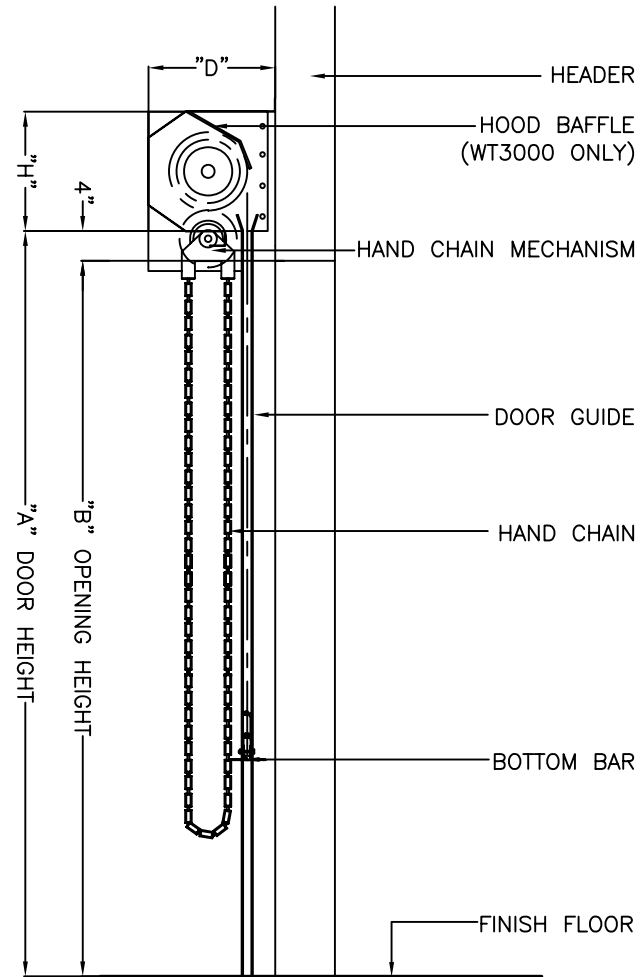
22-10031





PERFORATED COILING SERVICE DOOR MODEL PF3000-HC

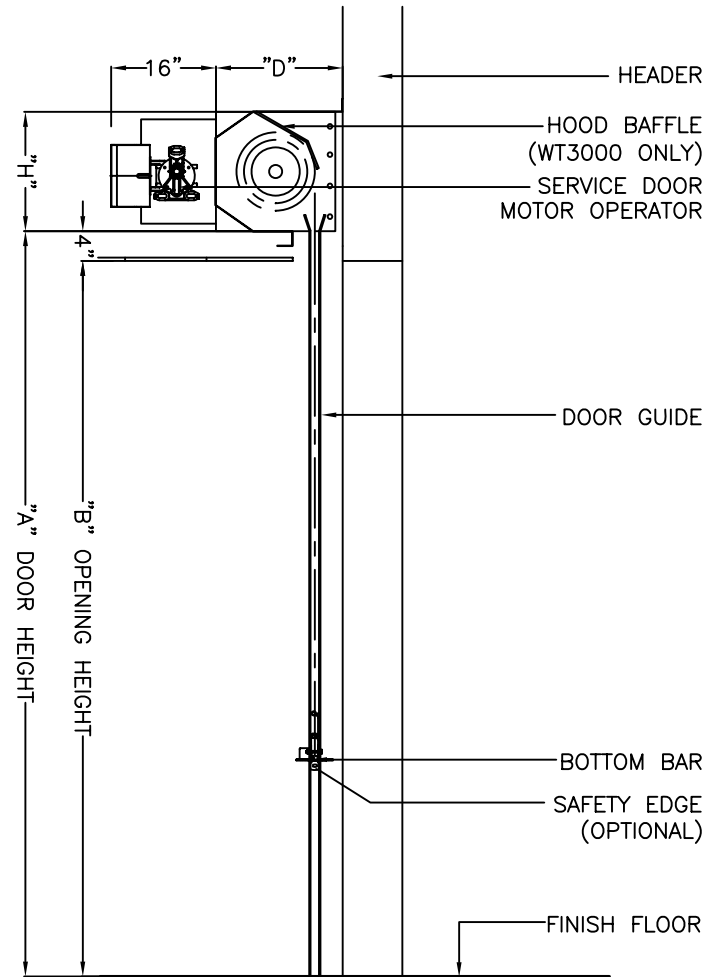
22-20021





PERFORATED COILING SERVICE DOOR MODEL PF3000-M

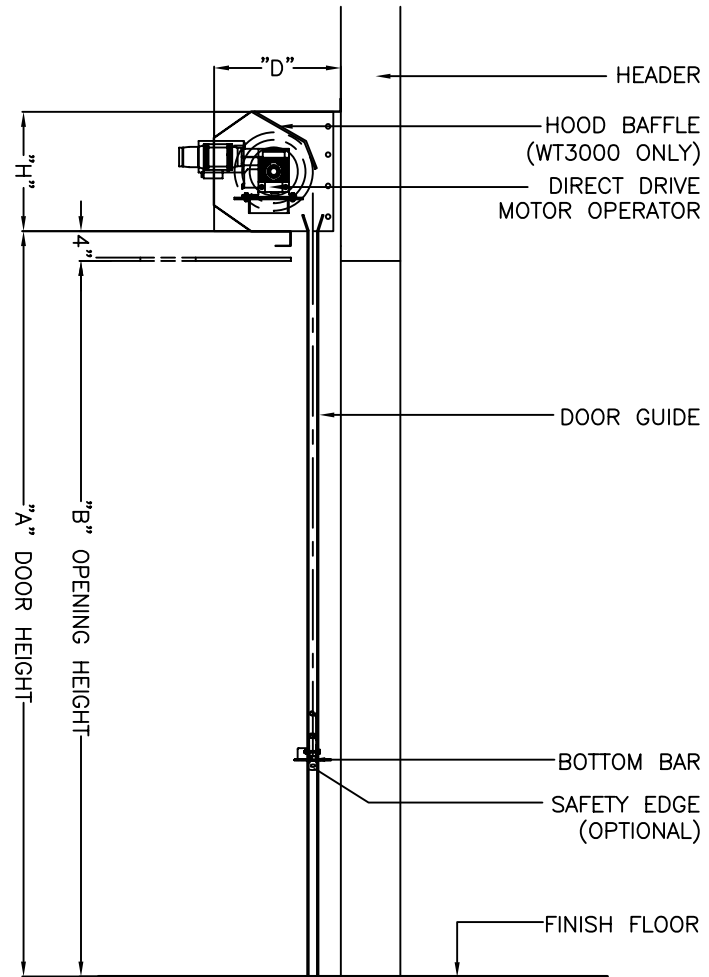
22-20001





PERFORATED COILING SERVICE DOOR MODEL PF3000-ADF

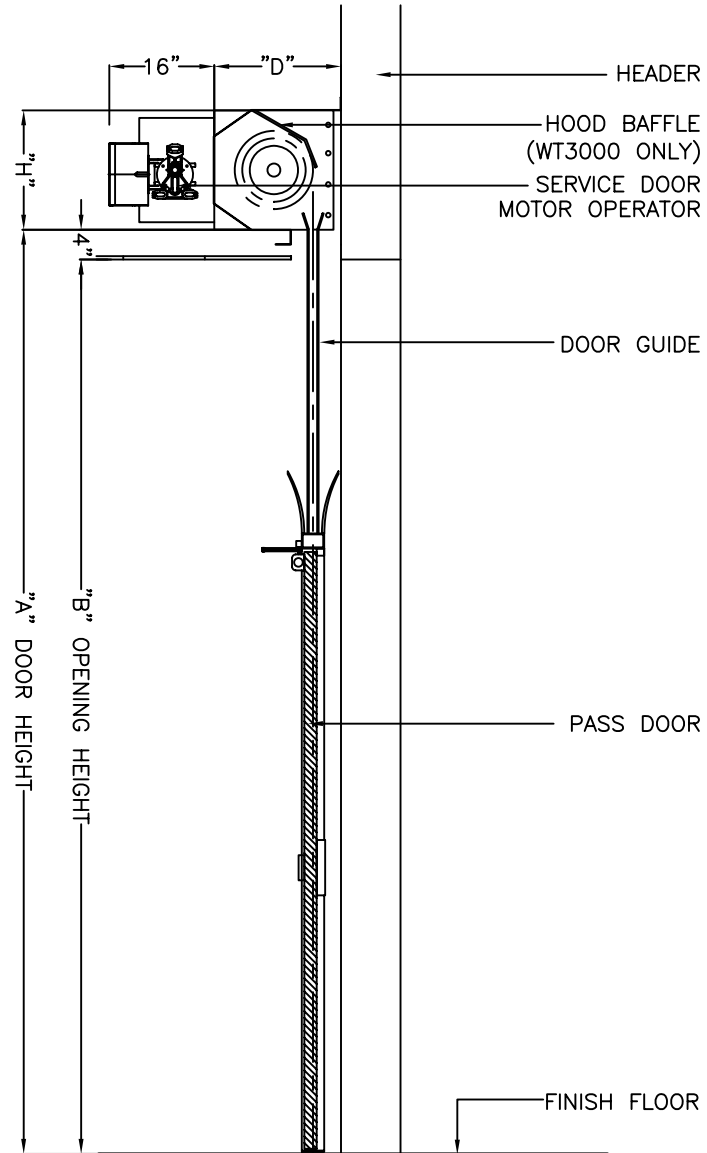
22-20011





PERFORATED COILING SERVICE W/PASS DOOR MODEL PF3000-M-E

22-20031

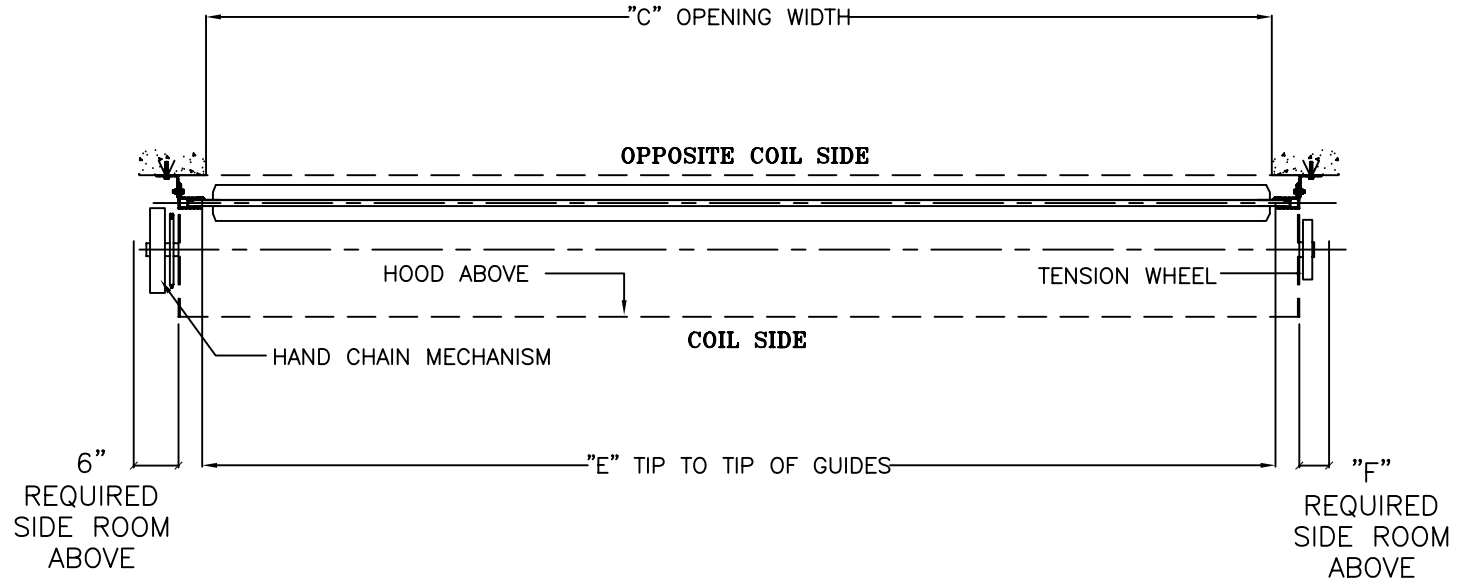






PERFORATED COILING SERVICE DOOR MODEL PF3000-HC

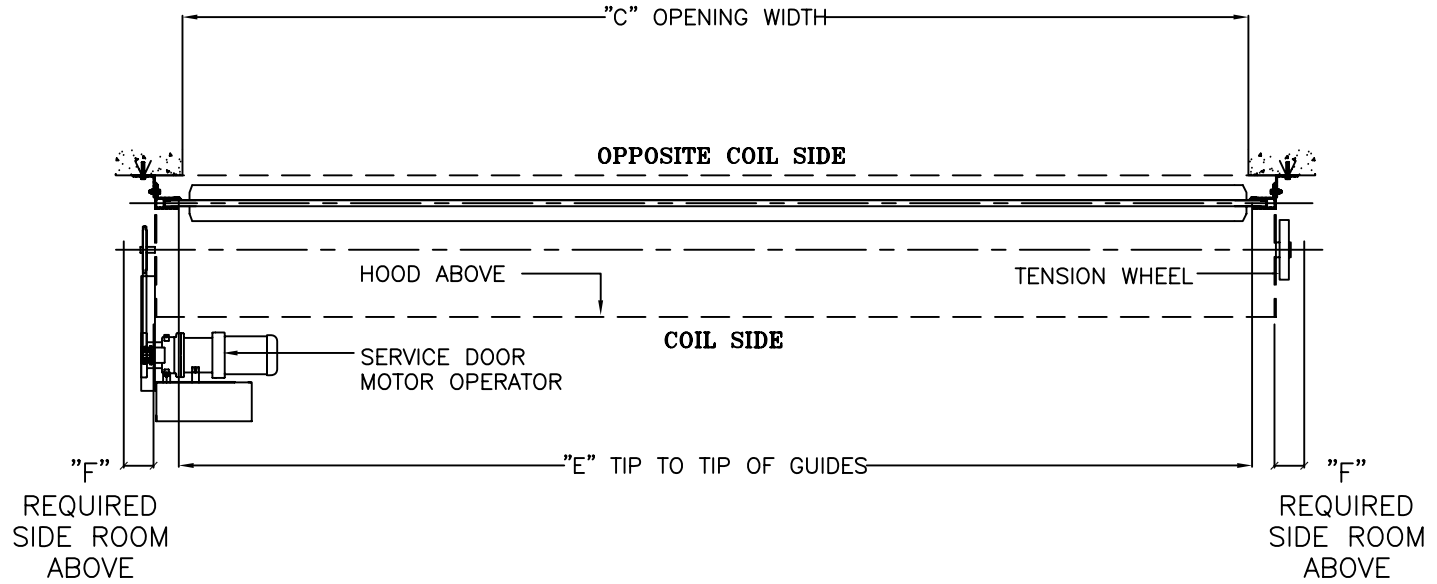
22-30021





PERFORATED COILING SERVICE DOOR MODEL PF3000-M

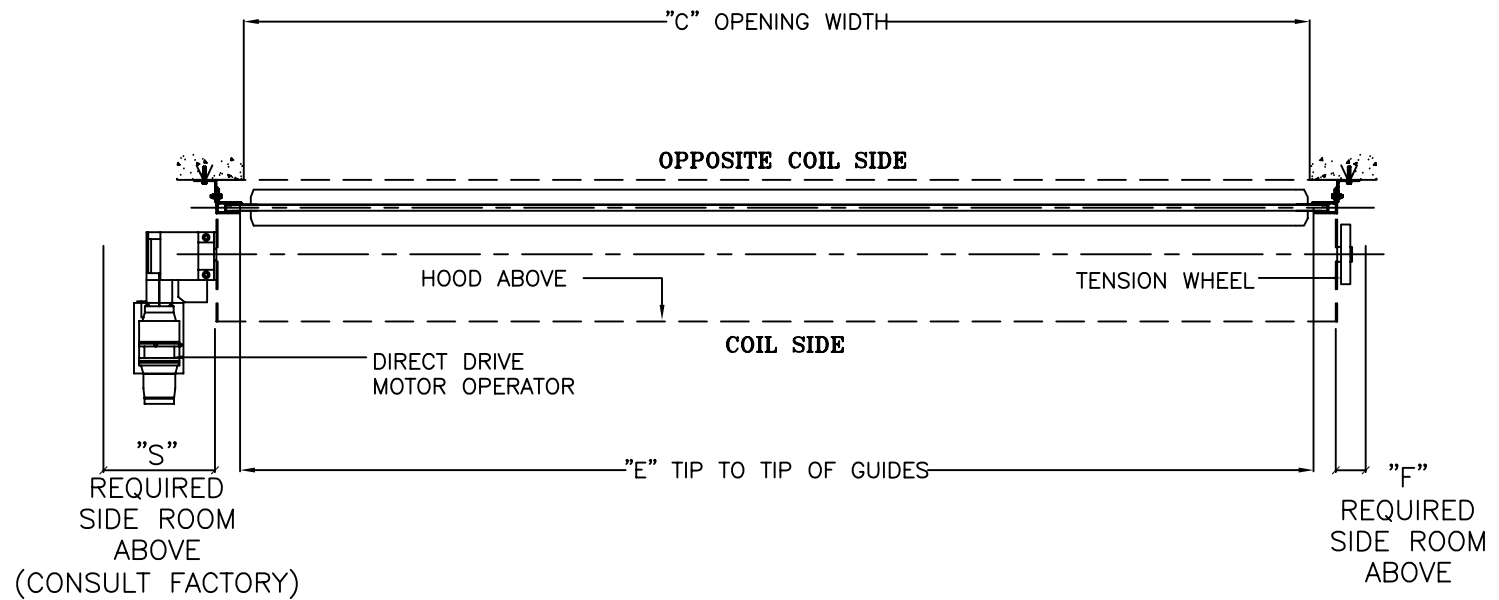
22-30001





PERFORATED COILING SERVICE DOOR MODEL PF3000-ADF

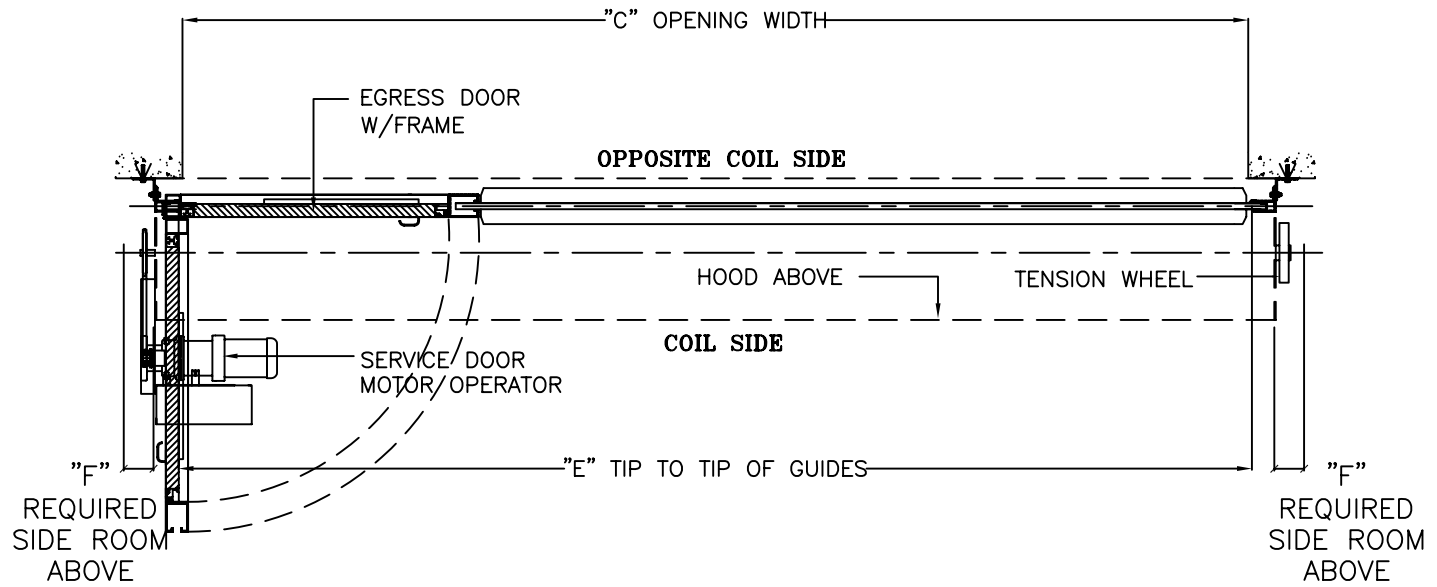
22-30011





PERFORATED COILING SERVICE DOOR W/PASS DOOR MODEL PF3000-M-E

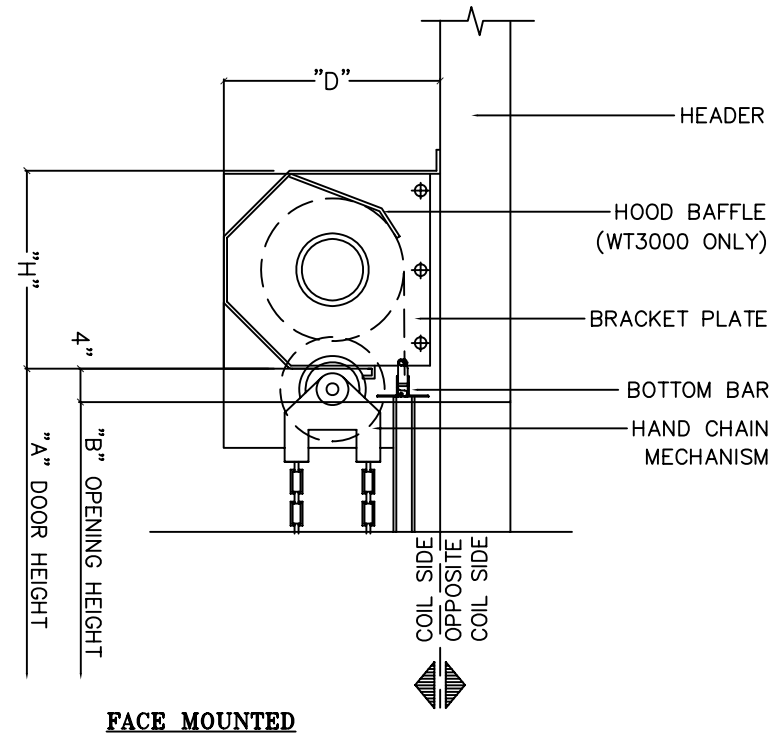
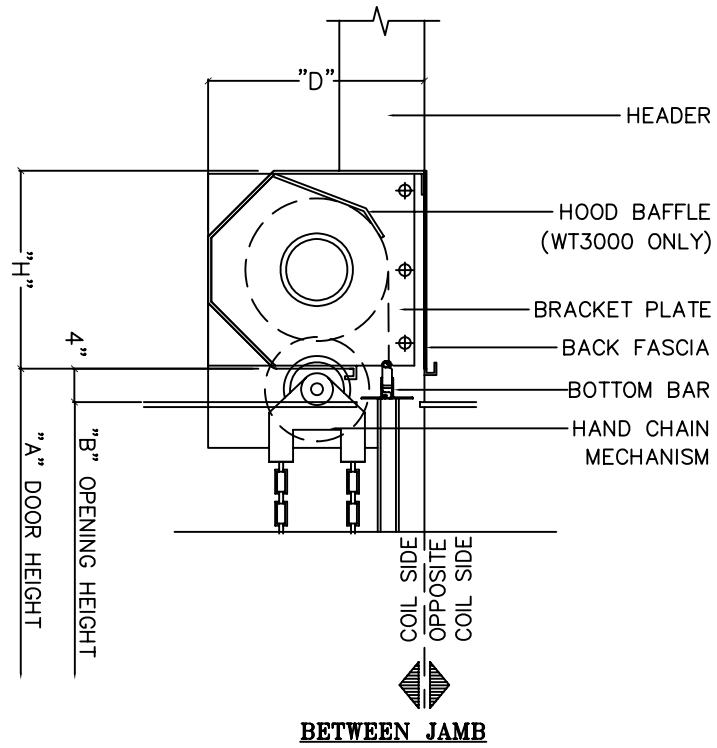
22-30031





PERFORATED COILING SERVICE DOOR MODEL PF3000-HC

22-44021

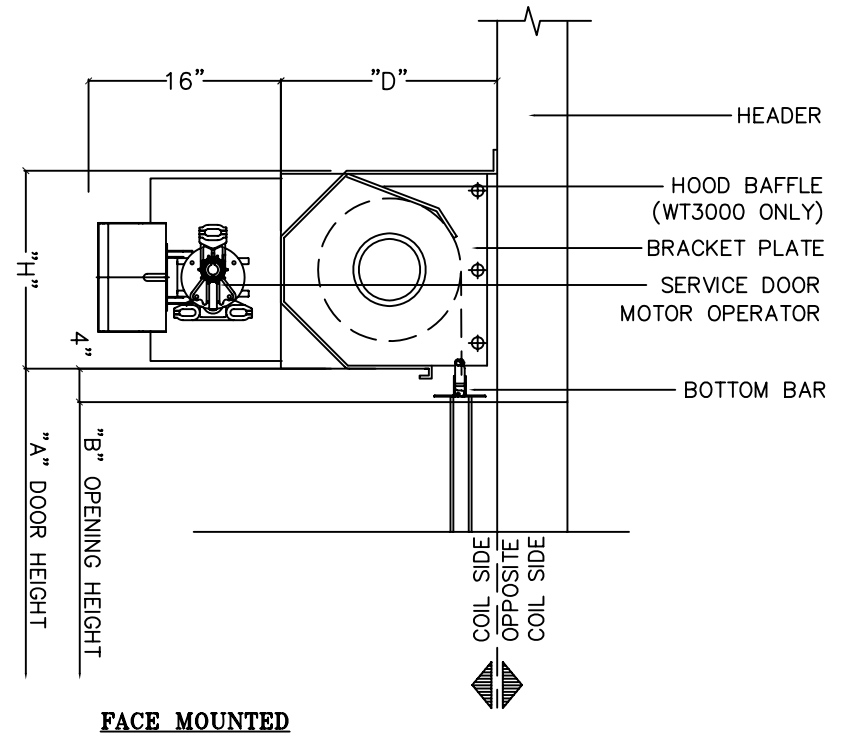
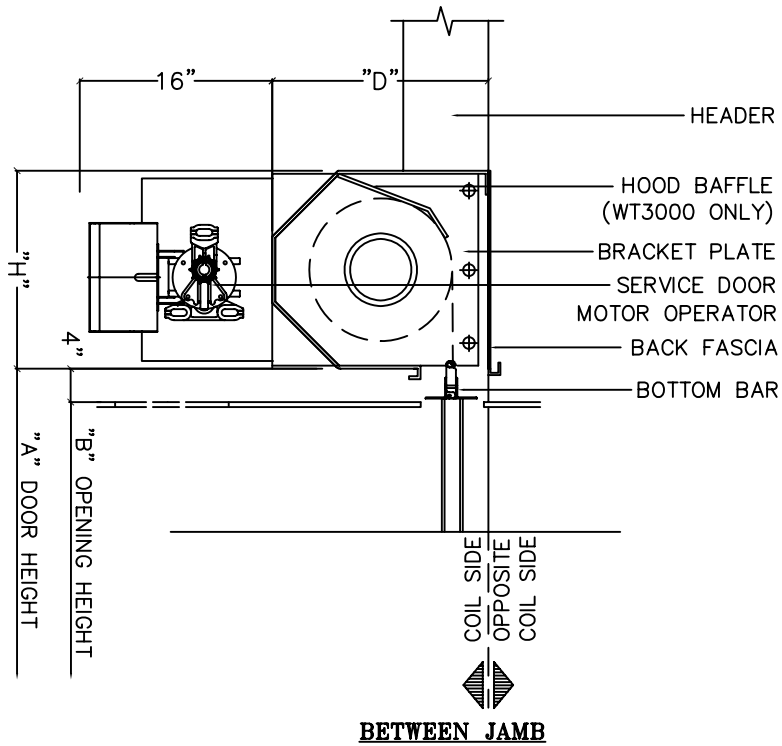


HOOD MEASURED "H" X "D"  
SEE HOOD SELECTION CHART



PERFORATED COILING SERVICE DOOR MODEL PF3000-M

22-44001

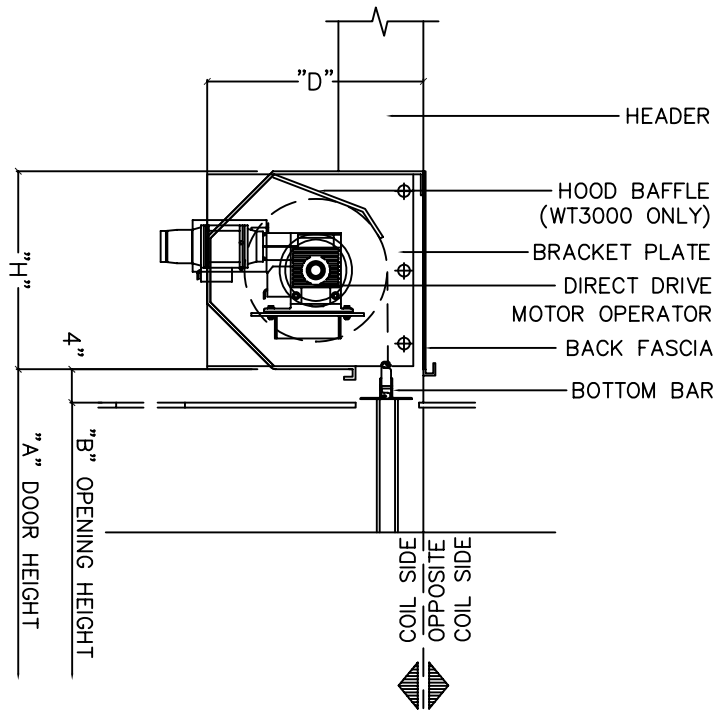


HOOD MEASURED "H" X "D"  
SEE HOOD SELECTION CHART

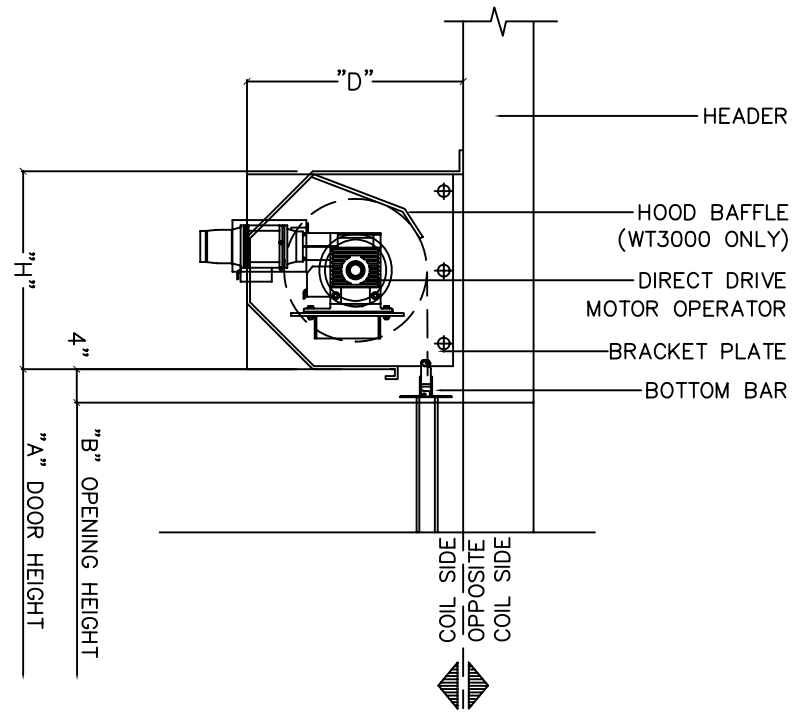


PERFORATED COILING SERVICE DOOR MODEL PF3000-ADF

22-44011



**BETWEEN JAMB**



**FACE MOUNTED**

HOOD MEASURED "H" X "D"  
SEE HOOD SELECTION CHART