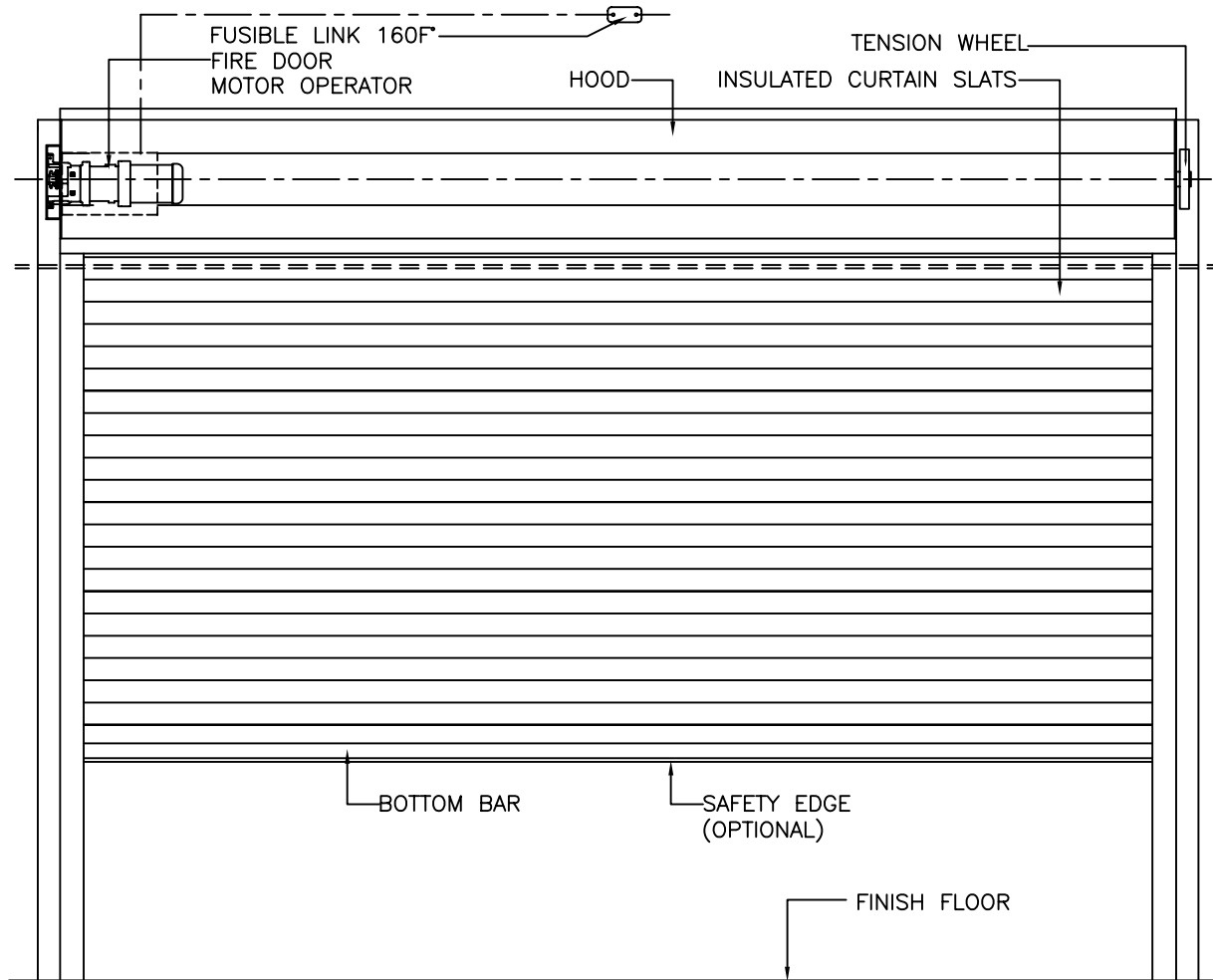




TEMPERATURE RISE RATED
AUTO-SET FIRE DOOR MODEL FSFD-TR

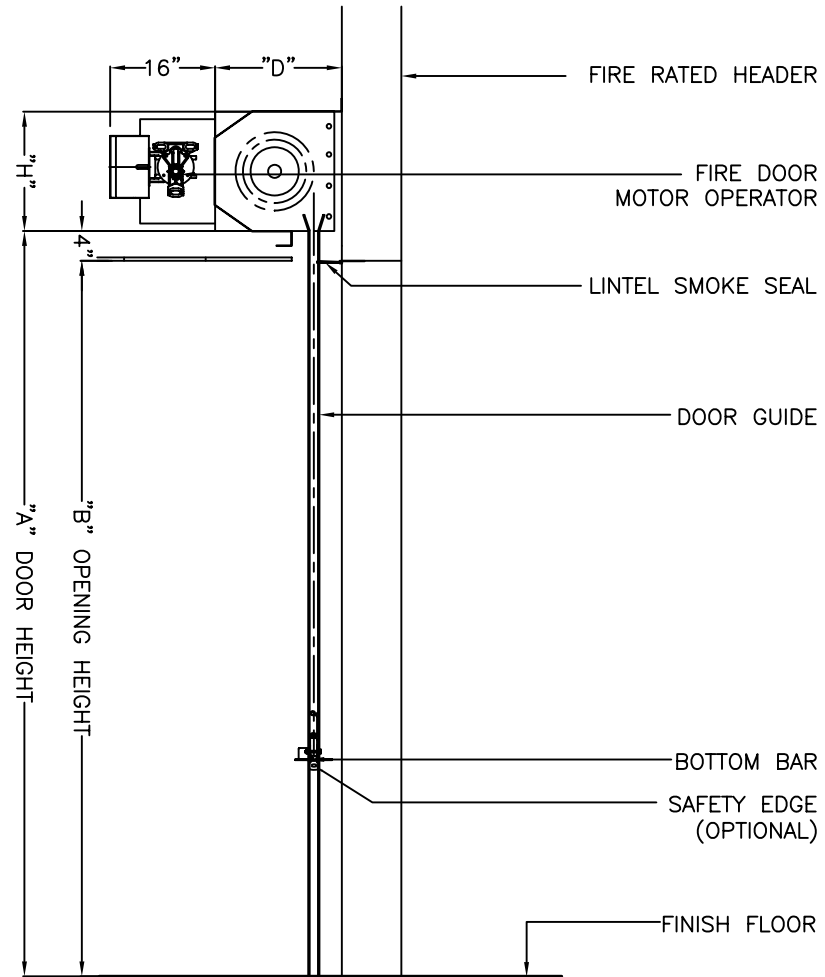
11-10031





TEMPERATURE RISE RATED
AUTO-SET FIRE DOOR MODEL FSFD-TR

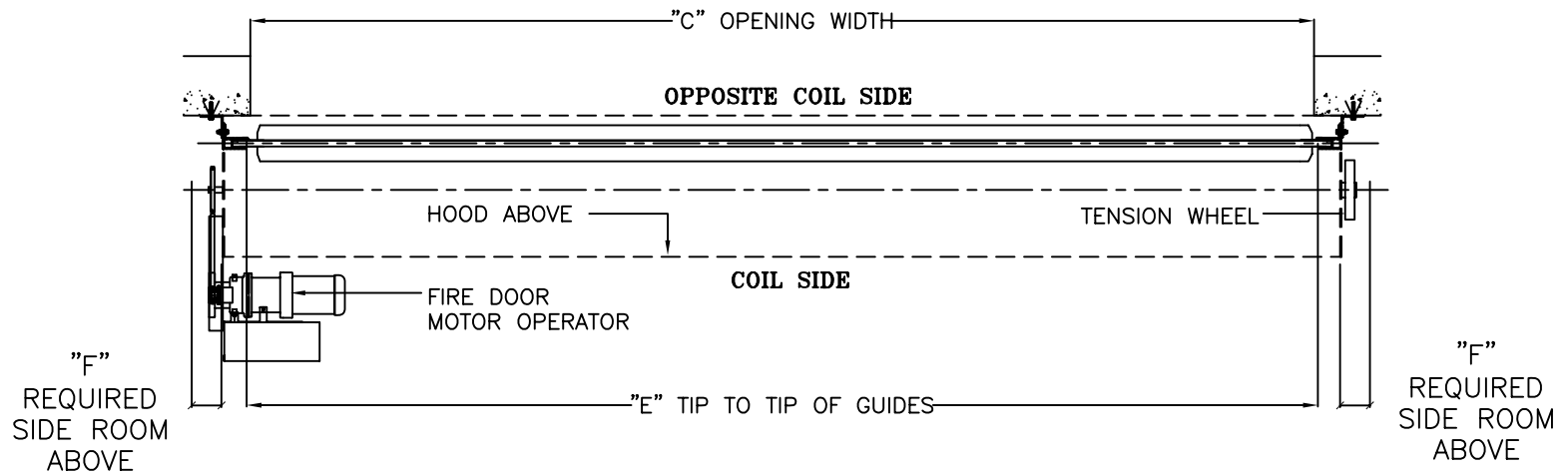
11-20031

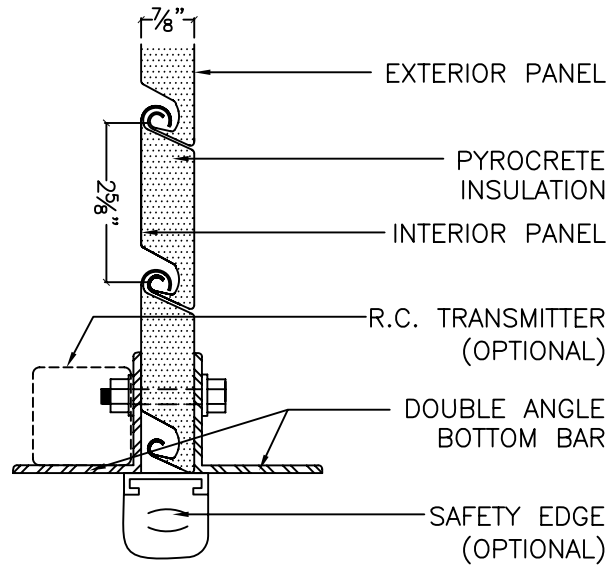




TEMPERATURE RISE RATED
AUTO-SET FIRE DOOR MODEL FSFD-TR

11-30031



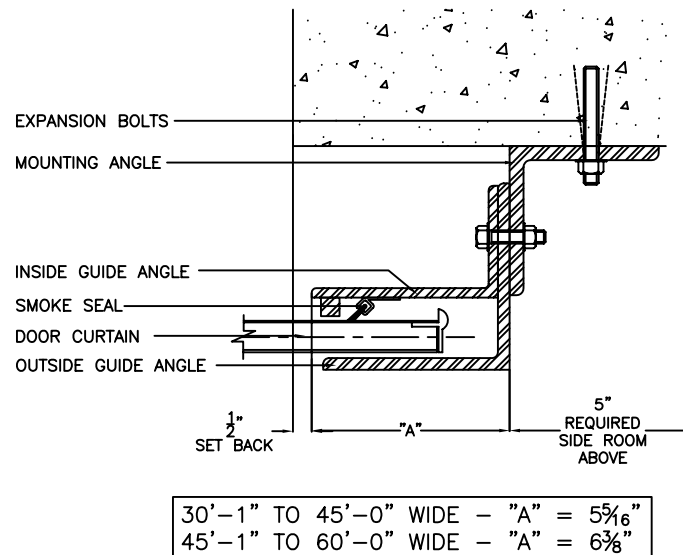
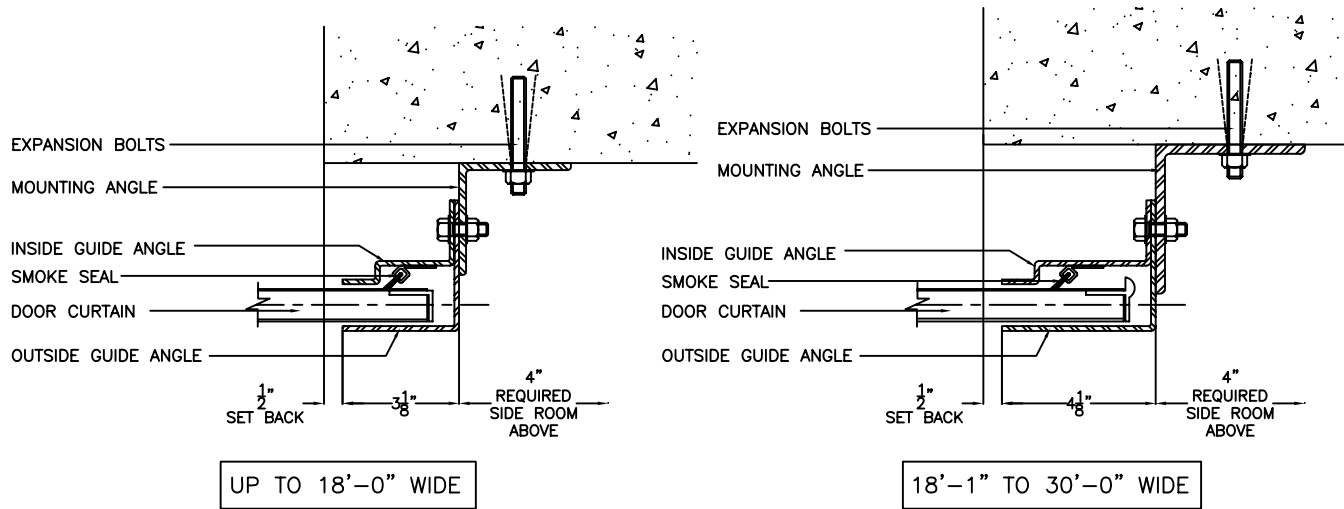


BOTTOM BAR DETAIL



TEMPERATURE RISE RATED AUTO-SET FIRE DOOR MODEL FSFD-TR

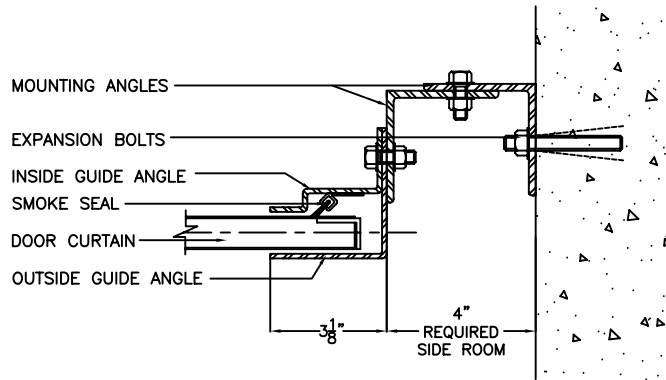
11-43012



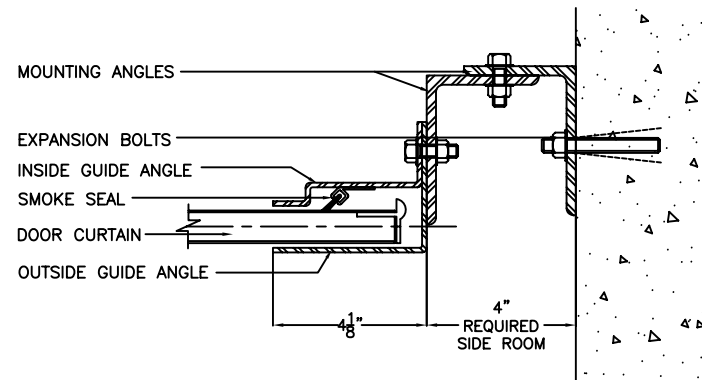


TEMPERATURE RISE RATED AUTO-SET FIRE DOOR MODEL FSFD-TR

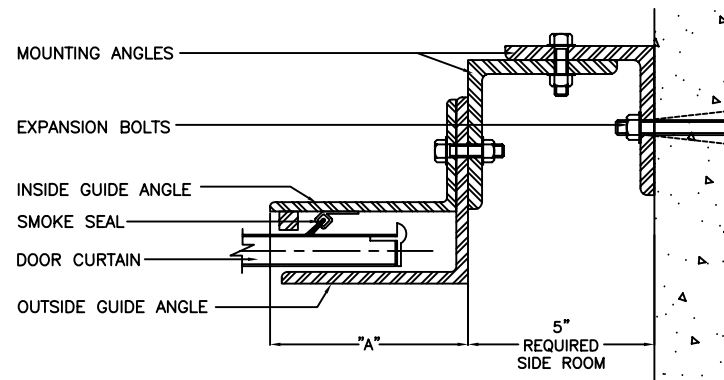
11-43022



UP TO 18'-0" WIDE



18'-1" TO 30'-0" WIDE

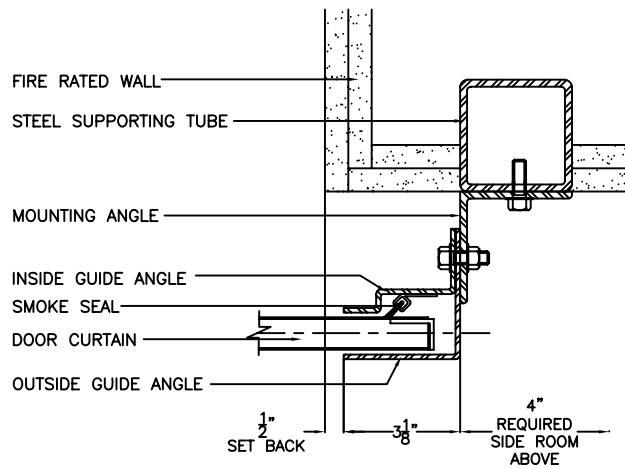


30'-1" TO 45'-0" WIDE - "A" = 5 5/16"
45'-1" TO 60'-0" WIDE - "A" = 6 3/8"

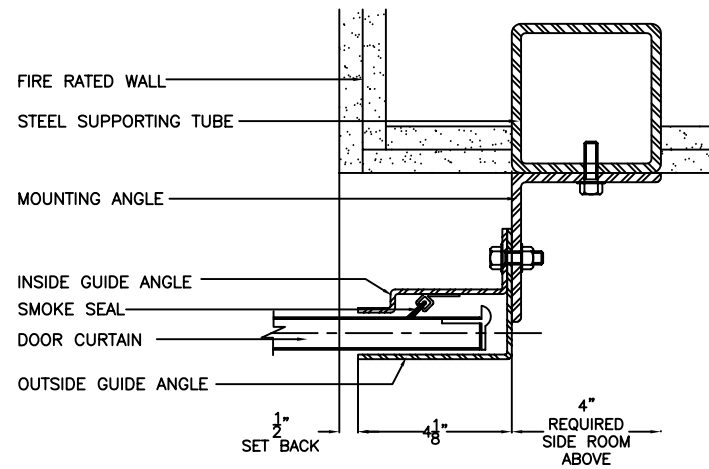


TEMPERATURE RISE RATED AUTO-SET FIRE DOOR MODEL FSFD-TR

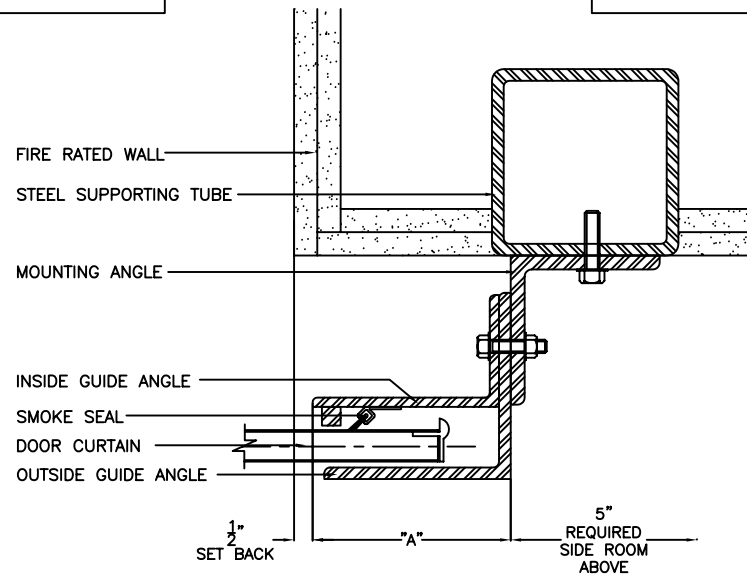
11-43052



UP TO 18'-0" WIDE



18'-1" TO 30'-0" WIDE



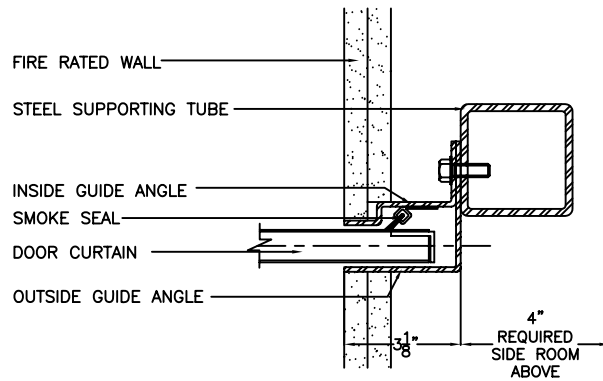
30'-1" TO 45'-0" WIDE - "A" = $5\frac{5}{16}$ "
45'-1" TO 60'-0" WIDE - "A" = $6\frac{3}{8}$ "

NOTE:
SUPPORT TUBES ARE
REQUIRED TO BE
ENCASED IN FIRE
RATED CONSTRUCTION

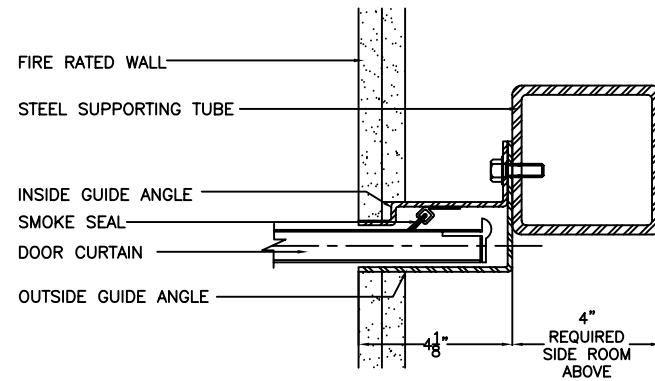


TEMPERATURE RISE RATED AUTO-SET FIRE DOOR MODEL FSFD-TR

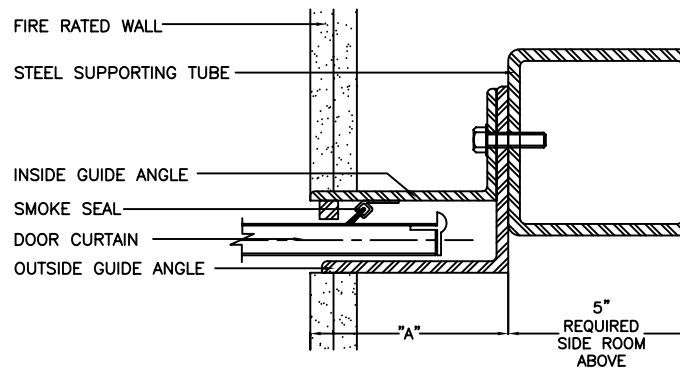
11-43062



UP TO 18'-0" WIDE



18'-1" TO 30'-0" WIDE



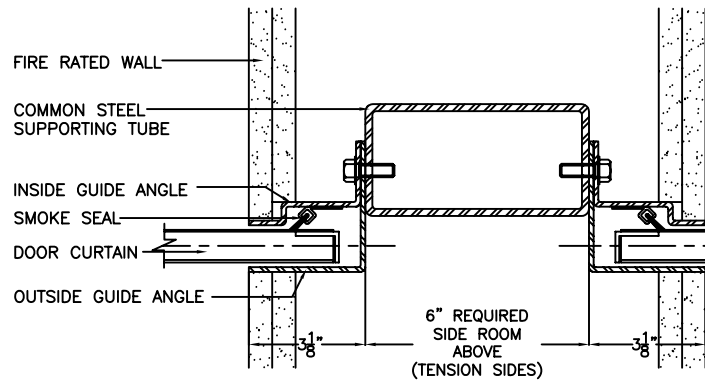
30'-1" TO 45'-0" WIDE - "A" = 5 5/16"
45'-1" TO 60'-0" WIDE - "A" = 6 3/8"

NOTE:
SUPPORT TUBES ARE
REQUIRED TO BE
ENCASED IN FIRE
RATED CONSTRUCTION

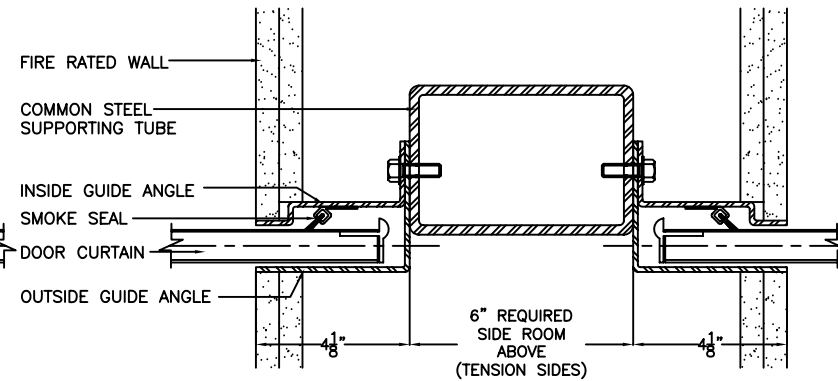


TEMPERATURE RISE RATED AUTO-SET FIRE DOOR MODEL FSFD-TR

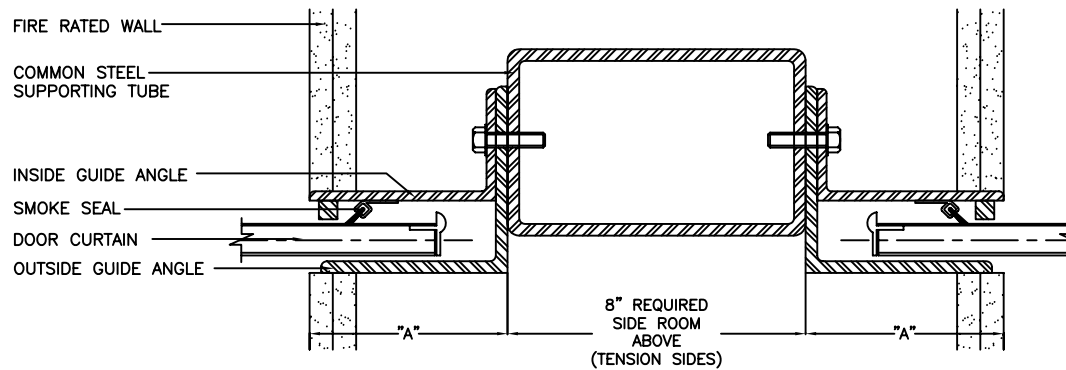
11-43072



UP TO 18'-0" WIDE



18'-1" TO 30'-0" WIDE



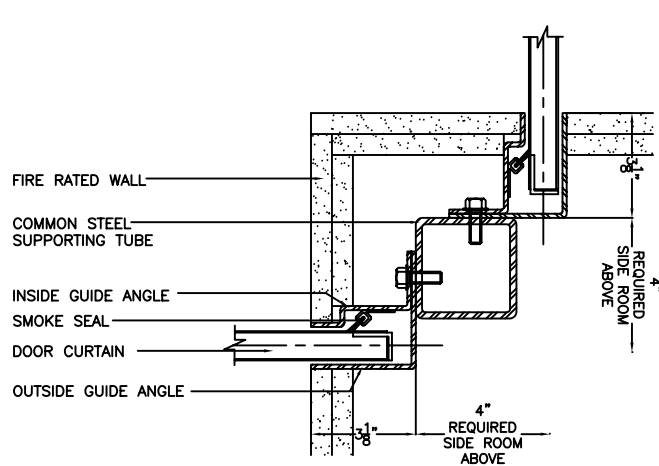
30'-1" TO 45'-0" WIDE - "A" = 5 5/16"
45'-1" TO 60'-0" WIDE - "A" = 6 3/8"

NOTE:
SUPPORT TUBES ARE
REQUIRED TO BE
ENCASED IN FIRE
RATED CONSTRUCTION

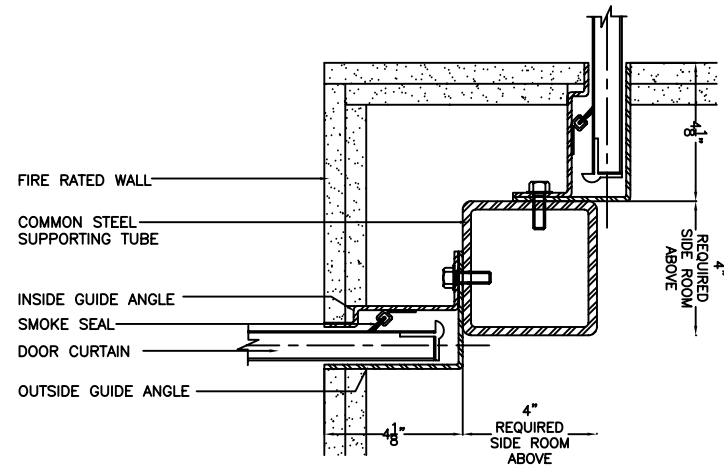


TEMPERATURE RISE RATED AUTO-SET FIRE DOOR MODEL FSFD-TR

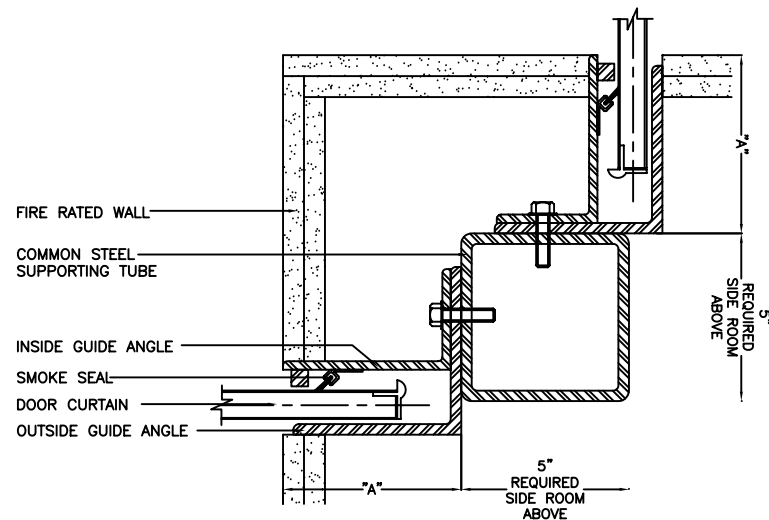
11-43082



UP TO 18'-0" WIDE



18'-1" TO 30'-0" WIDE



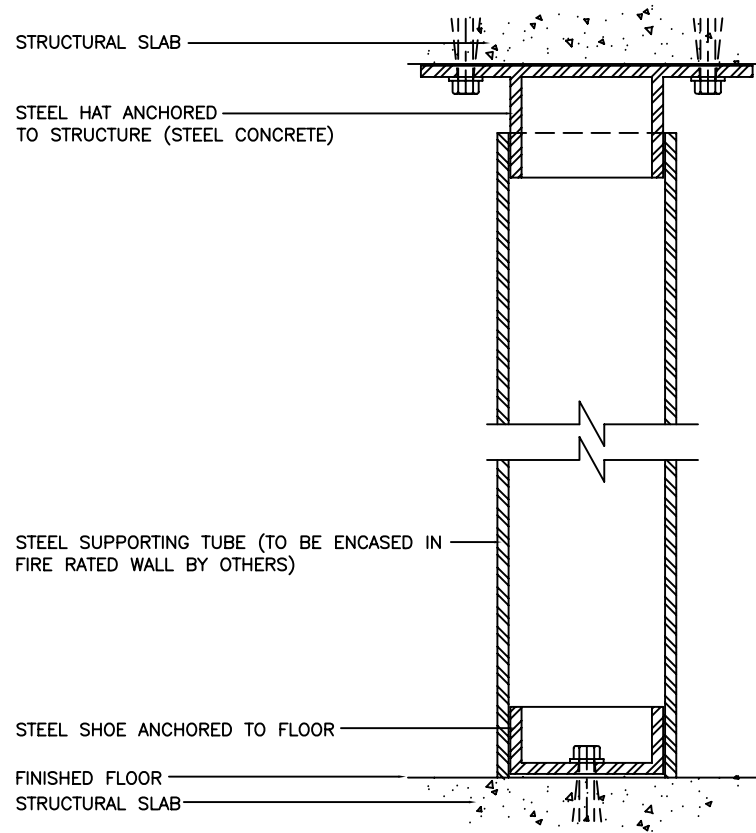
30'-1" TO 45'-0" WIDE - "A" = 5 5/16"
45'-1" TO 60'-0" WIDE - "A" = 6 3/8"

NOTE:
SUPPORT TUBES ARE
REQUIRED TO BE
ENCASED IN FIRE
RATED CONSTRUCTION



TEMPERATURE RISE RATED
AUTO-SET FIRE DOOR MODEL FSFD-TR

11-45000

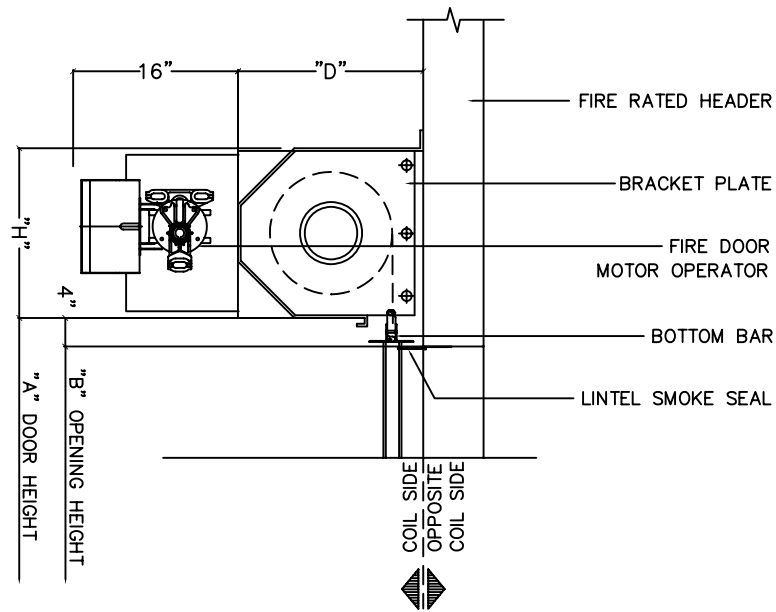


SUPPORTING TUBE DETAIL



TEMPERATURE RISE RATED
AUTO-SET FIRE DOOR MODEL FSFD-TR

11-44031

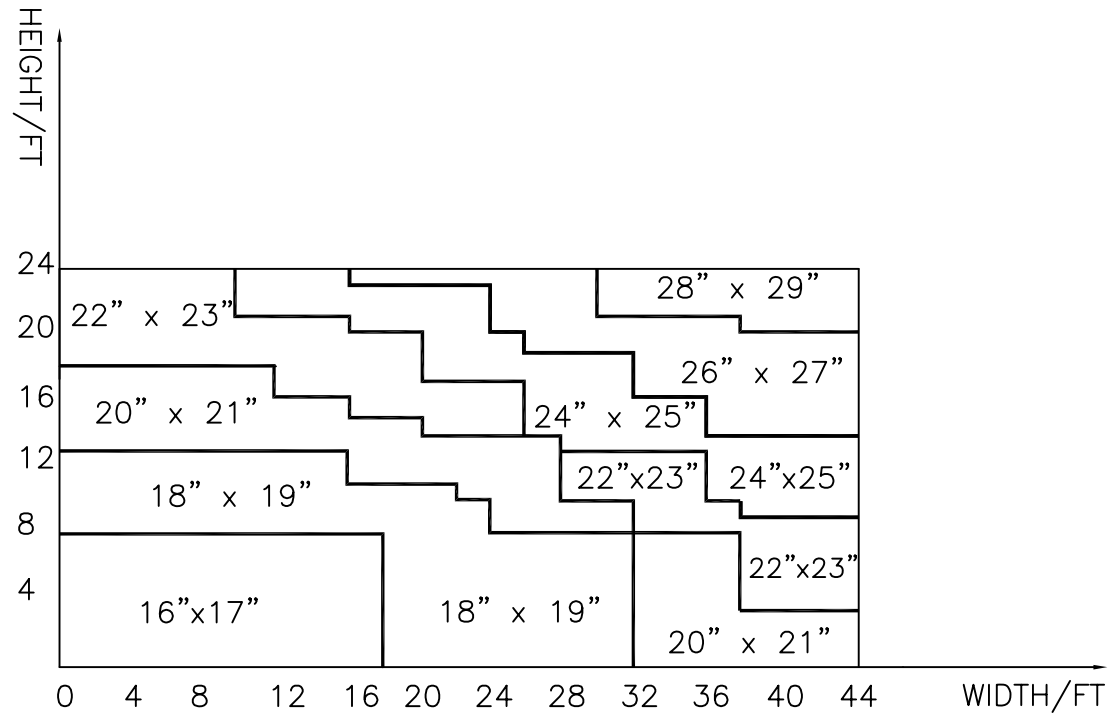


HOOD MEASURED "H" X "D"
SEE HOOD SELECTION CHART



TEMPERATURE RISE RATED
AUTO-SET FIRE DOOR MODEL FSFD-TR

11-50000

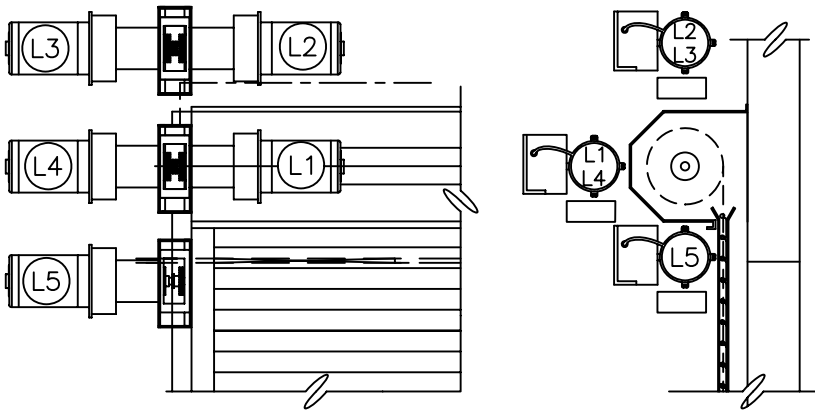


NOTE:
FOR DOORS GREATER THAN 44 FEET IN WIDTH
OR 24 GREATER THAN 24 FEET IN HEIGHT
PLEASE CONSULT FACTORY

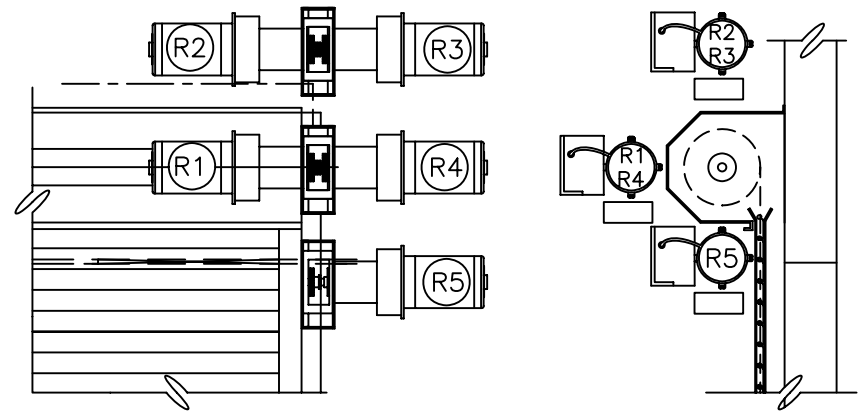


TEMPERATURE RISE RATED
AUTO-SET FIRE DOOR MODEL FSFD-TR

11-49000



OPTIONAL MOTOR LOCATIONS
LEFT HAND



OPTIONAL MOTOR LOCATIONS
RIGHT HAND