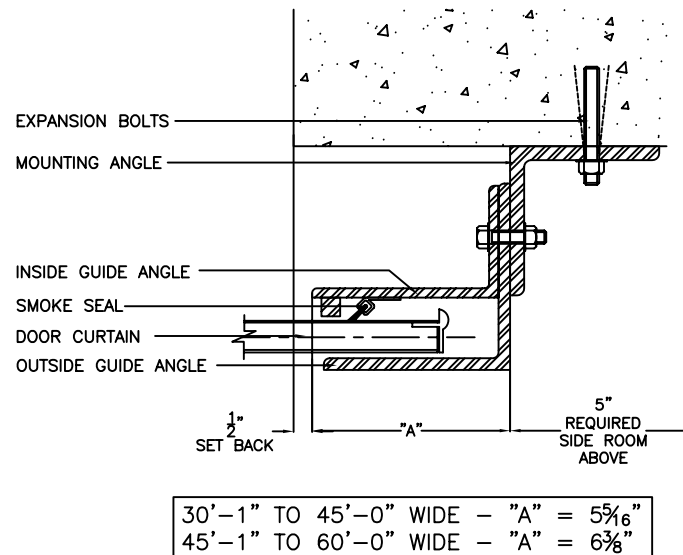
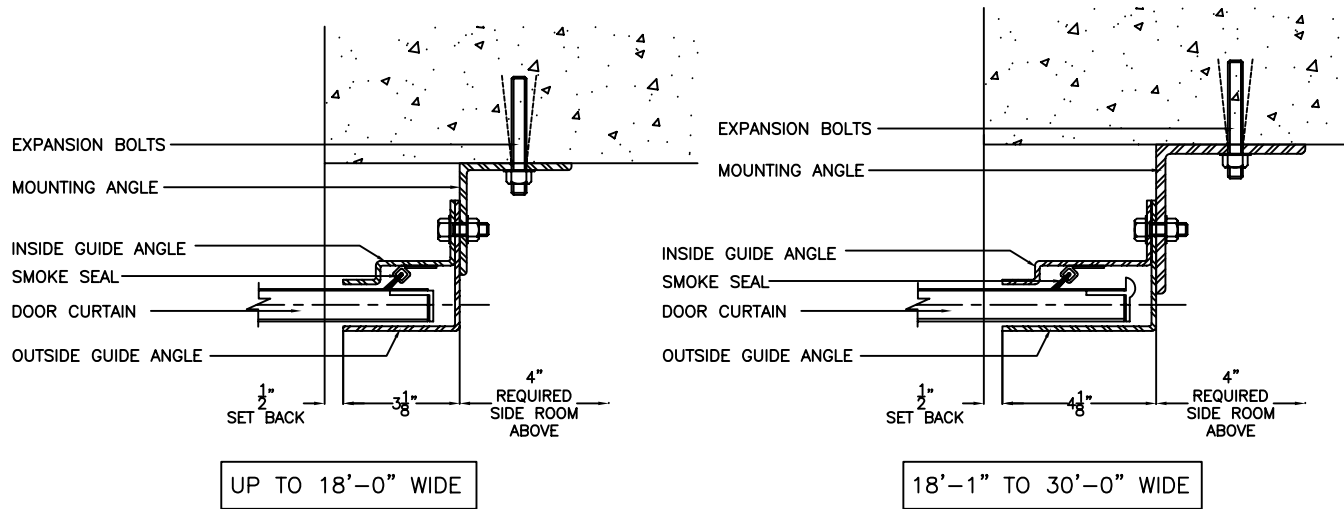




INSULATED AUTO-SET FIRE DOOR MODEL FSFD-IS

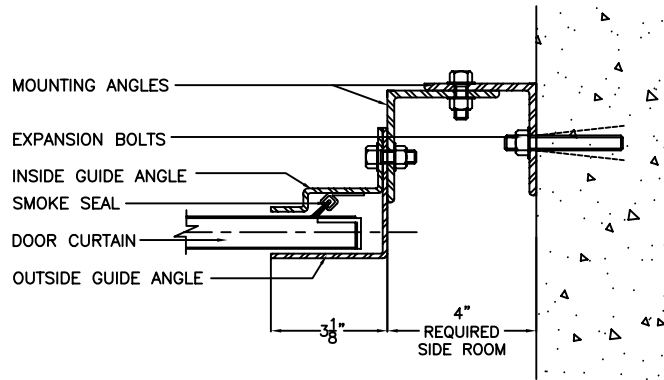
10-43012



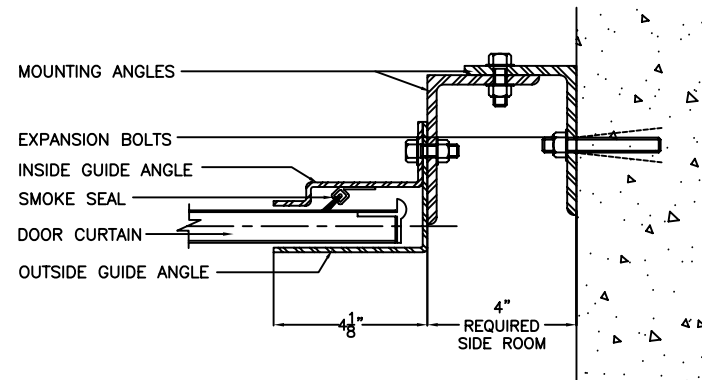


INSULATED AUTO-SET FIRE DOOR MODEL FSFD-IS

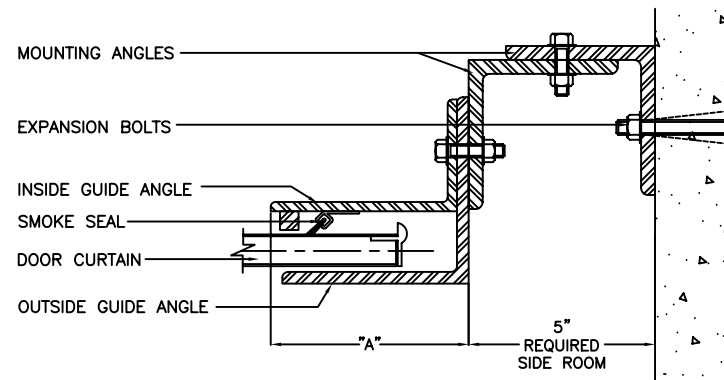
10-43022



UP TO 18'-0" WIDE



18'-1" TO 30'-0" WIDE

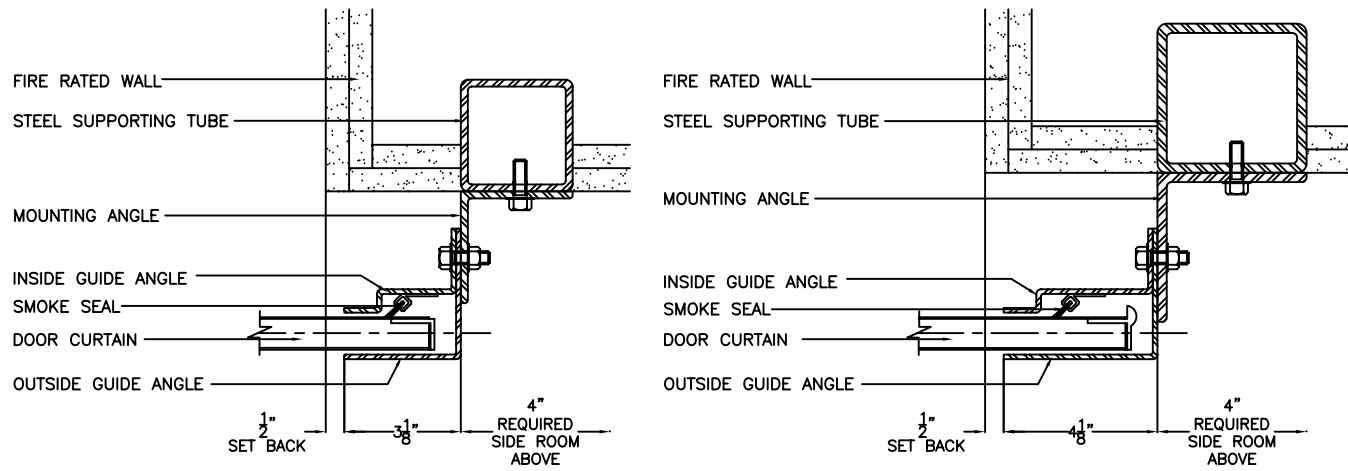


30'-1" TO 45'-0" WIDE - "A" = 5 5/16"
45'-1" TO 60'-0" WIDE - "A" = 6 7/8"



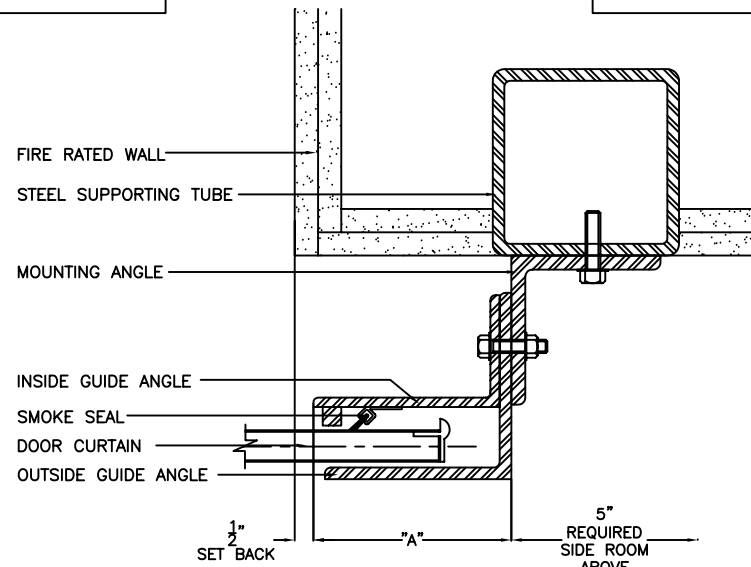
INSULATED AUTO-SET FIRE DOOR MODEL FSFD-IS

10-43062



UP TO 18'-0" WIDE

18'-1" TO 30'-0" WIDE



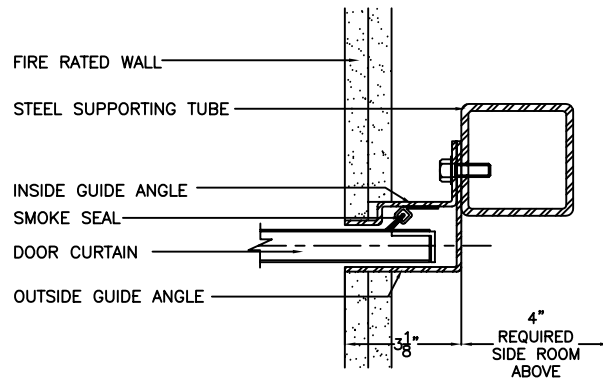
30'-1" TO 45'-0" WIDE - "A" = 5 5/16"
45'-1" TO 60'-0" WIDE - "A" = 6 7/8"

NOTE:
SUPPORT TUBES ARE
REQUIRED TO BE
ENCASED IN FIRE
RATED CONSTRUCTION

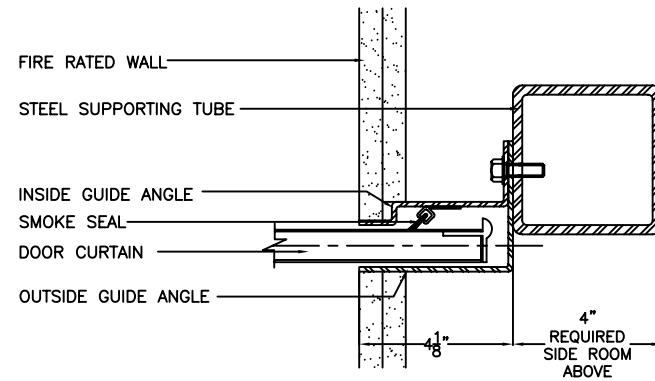


INSULATED AUTO-SET FIRE DOOR MODEL FSFD-IS

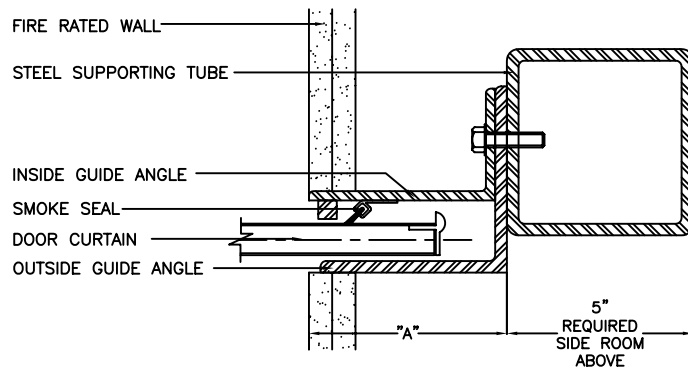
10-43052



UP TO 18'-0" WIDE



18'-1" TO 30'-0" WIDE



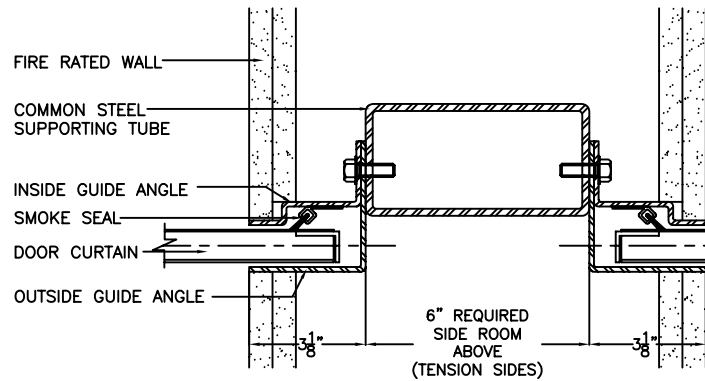
30'-1" TO 45'-0" WIDE - "A" = 5 5/16"
45'-1" TO 60'-0" WIDE - "A" = 6 3/8"

NOTE:
SUPPORT TUBES ARE
REQUIRED TO BE
ENCASED IN FIRE
RATED CONSTRUCTION

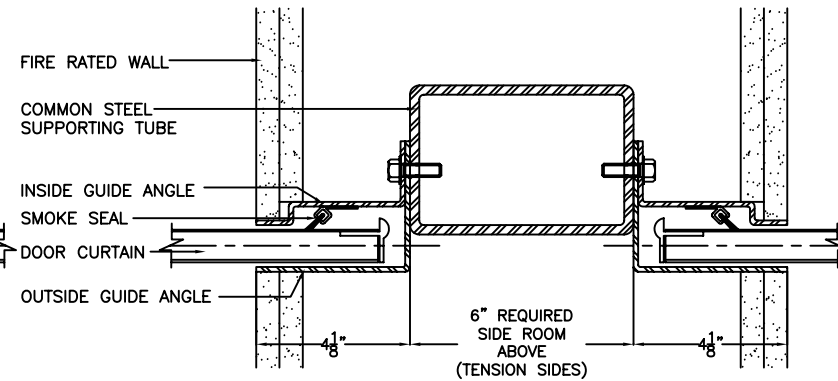


INSULATED AUTO-SET FIRE DOOR MODEL FSFD-IS

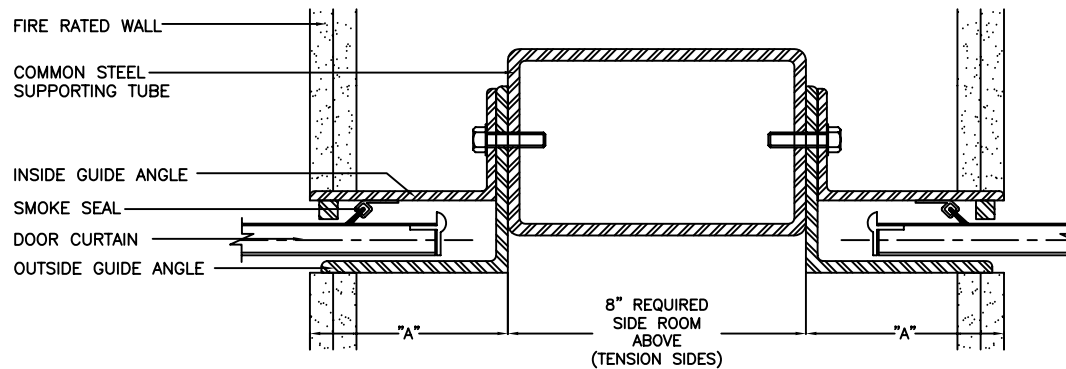
10-43072



UP TO 18'-0" WIDE



18'-1" TO 30'-0" WIDE



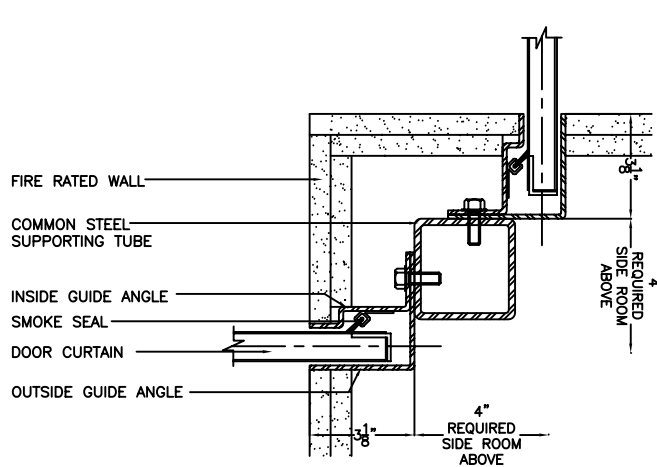
30'-1" TO 45'-0" WIDE - "A" = 5 5/16"
45'-1" TO 60'-0" WIDE - "A" = 6 3/8"

NOTE:
SUPPORT TUBES ARE
REQUIRED TO BE
ENCASED IN FIRE
RATED CONSTRUCTION

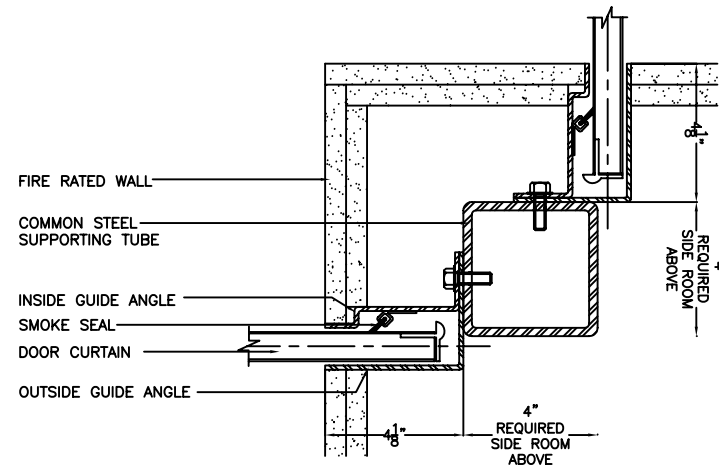


INSULATED AUTO-SET FIRE DOOR MODEL FSFD-IS

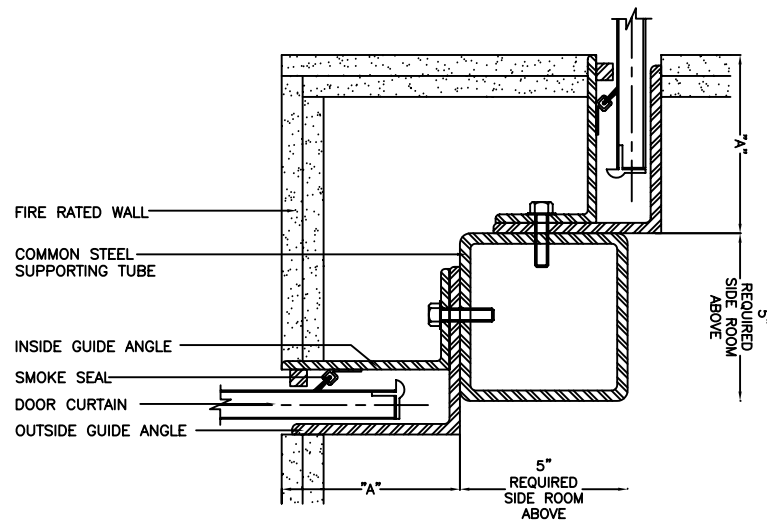
10-43082



UP TO 18'-0" WIDE

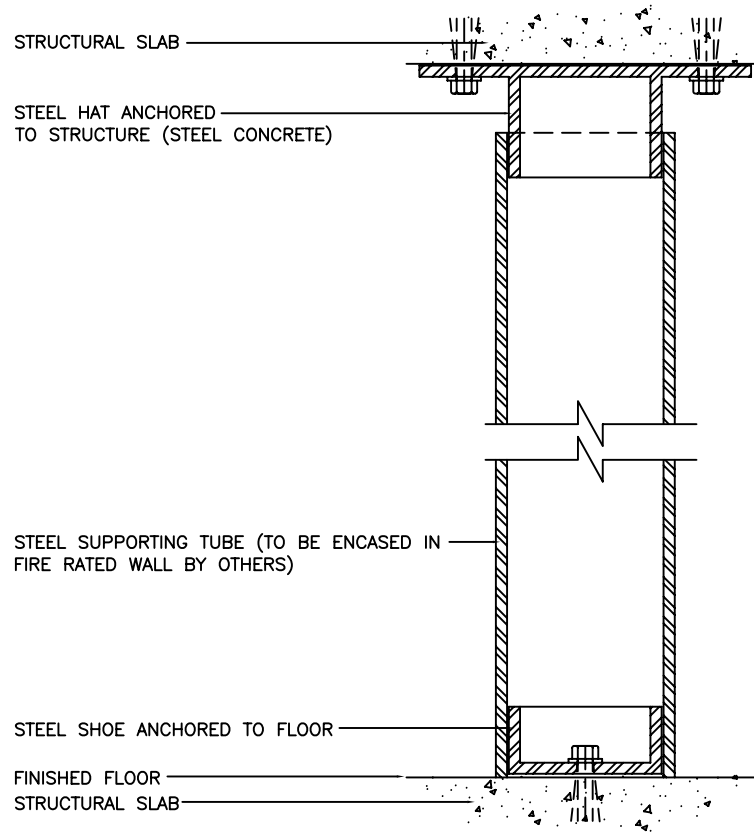


18'-1" TO 30'-0" WIDE



30'-1" TO 45'-0" WIDE - "A" = 5⁵/₁₆"
45'-1" TO 60'-0" WIDE - "A" = 6³/₈"

NOTE:
SUPPORT TUBES ARE
REQUIRED TO BE
ENCASED IN FIRE
RATED CONSTRUCTION



SUPPORTING TUBE DETAIL