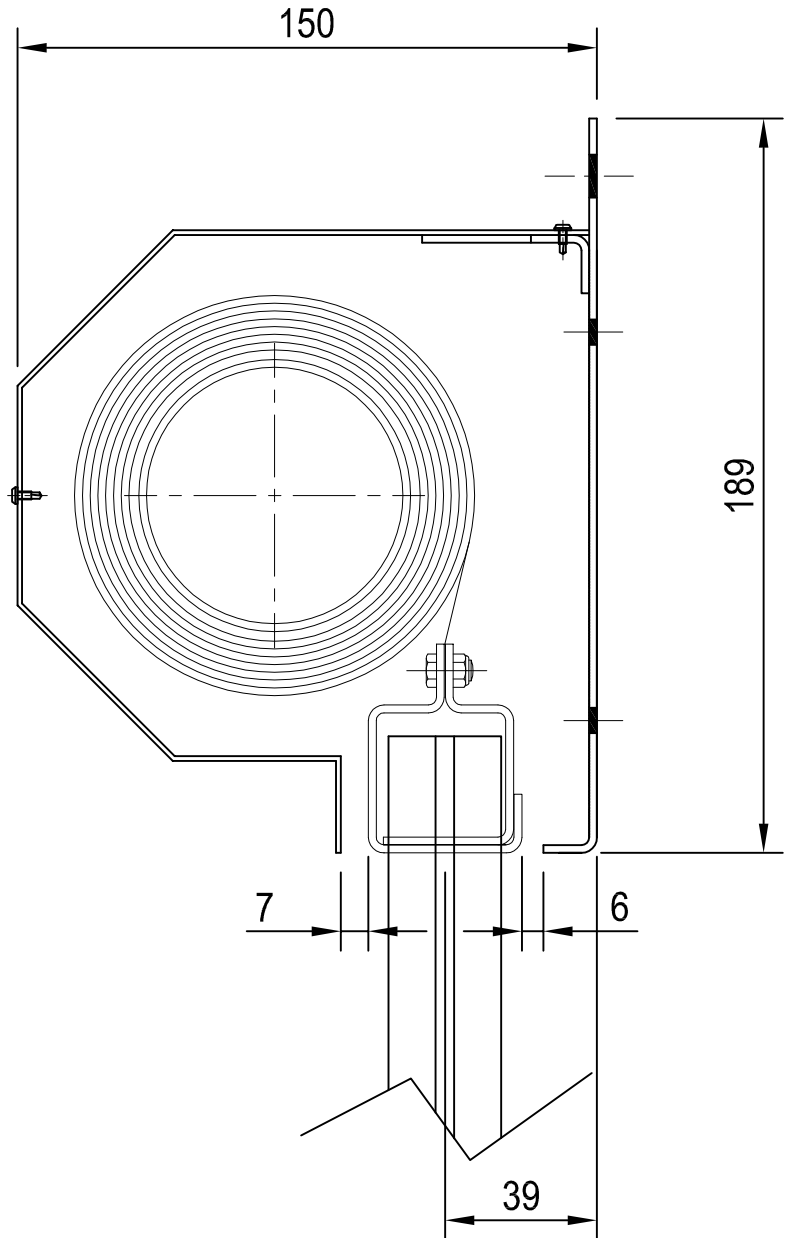
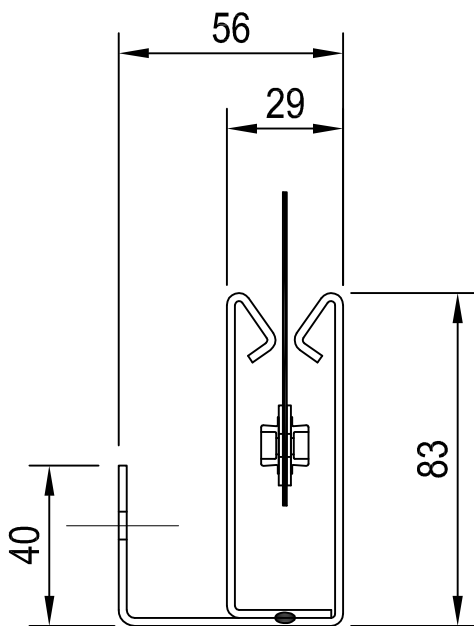


Headbox Details - Face Fix



Maximum width - 3 metres
Maximum drop - 3 metres



Side Guide Details



Edward House, Penner Road,
Havant, Hampshire, PO9 1QZ, UK

Tel: +44 (0) 23 9245 4405

Fax: +44 (0) 23 9249 2732

Email: info@coopersfire.com

Web: www.coopersfire.com

DRAWN:

JR

TITLE:

VII®FIRE FIREMASTER® FACE FIX
HEADBOX AND SIDE GUIDE DETAILS

CHECKED:

© 1997 A COOPER GROUP LIMITED
ALL RIGHTS RESERVED. THIS DESIGN MAY NOT BE
REPRODUCED IN ANY MATERIAL FORM, INCLUDING
ELECTRONICALLY WITHOUT THE WRITTEN PERMISSION
OF THE COPYRIGHT NAMES

ALL DIMENSION IN MILLIMETERS
UNLESS OTHERWISE STATED

APPROVED:

DRG. No.

601/317/MK

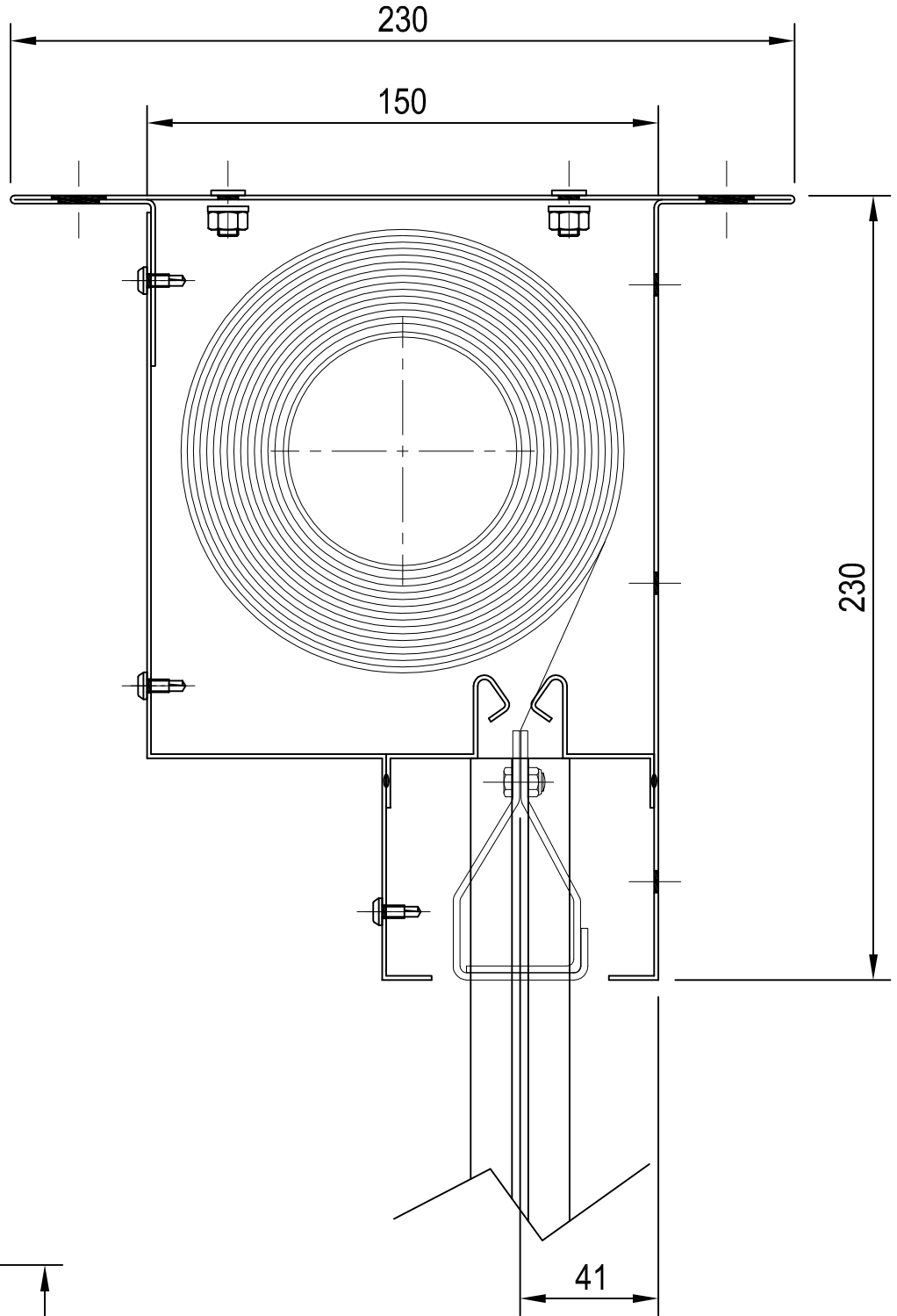
ISSUE:

B

DATE:

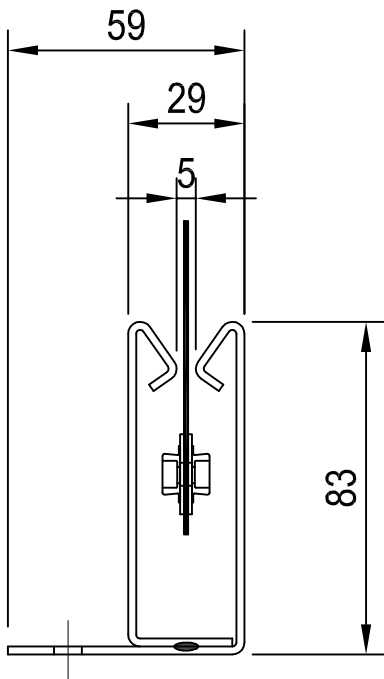
25.02.2014

Headbox Details - Reveal Fix



Maximum width - 3 metres
 Maximum drop - 3 metres

Side Guide Details



Edward House, Penner Road,
 Havant, Hampshire, PO9 1QZ, UK

Tel: +44 (0) 23 9245 4405

Fax: +44 (0) 23 9249 2732

Email: info@coopersfire.com

Web: www.coopersfire.com

DRAWN: JR	TITLE: VII®FIRE FIREMASTER® REVEAL FIX HEADBOX AND SIDE GUIDE DETAILS
CHECKED:	© 1997 A COOPER GROUP LIMITED ALL RIGHTS RESERVED. THIS DESIGN MAY NOT BE REPRODUCED IN ANY MATERIAL FORM, INCLUDING ELECTRONICALLY WITHOUT THE WRITTEN PERMISSION OF THE COPYRIGHT NAMES
APPROVED:	ALL DIMENSION IN MILLIMETERS UNLESS OTHERWISE STATED
DRG. No. 601/320/MK	ISSUE: B DATE: 25.02.2014