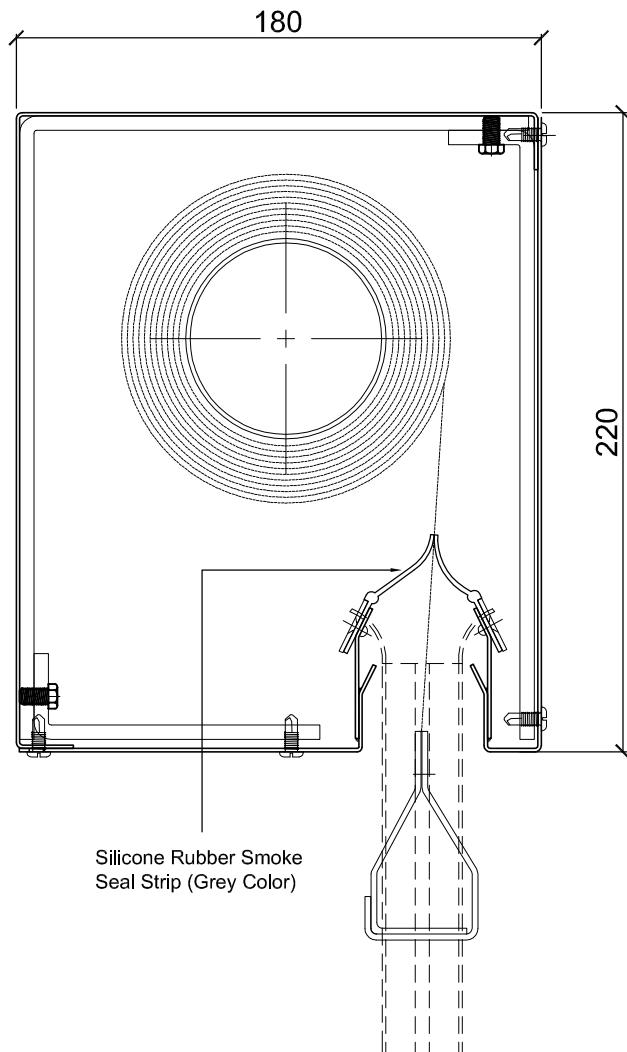
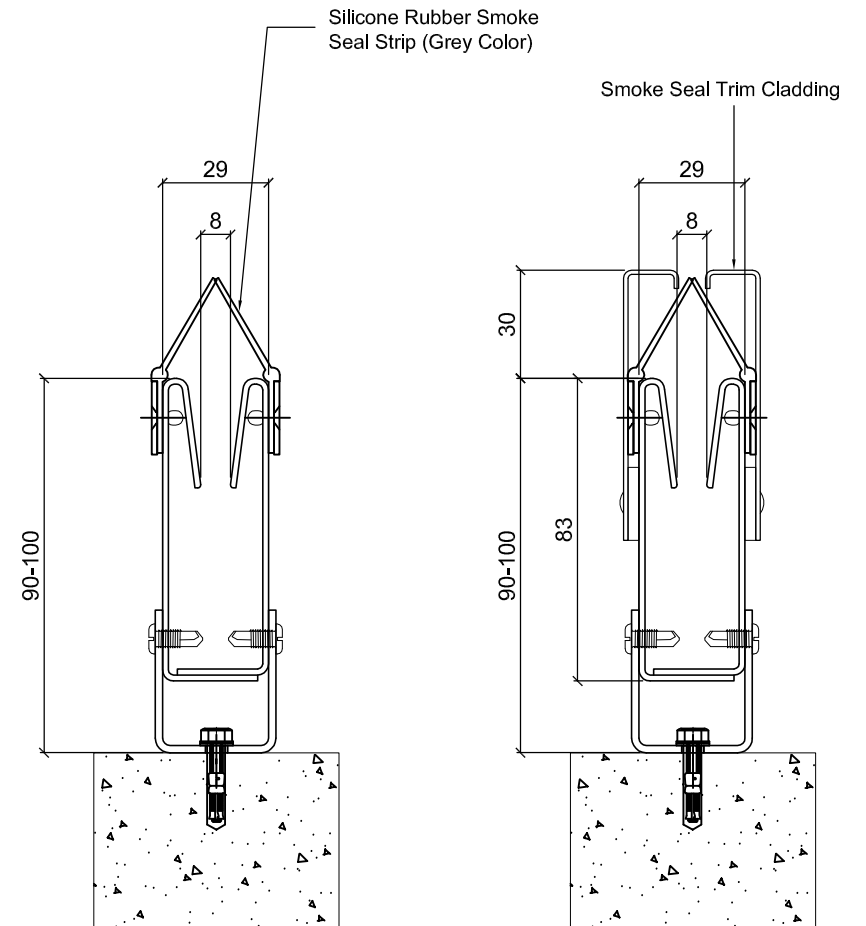


HEADBOX DETAILS



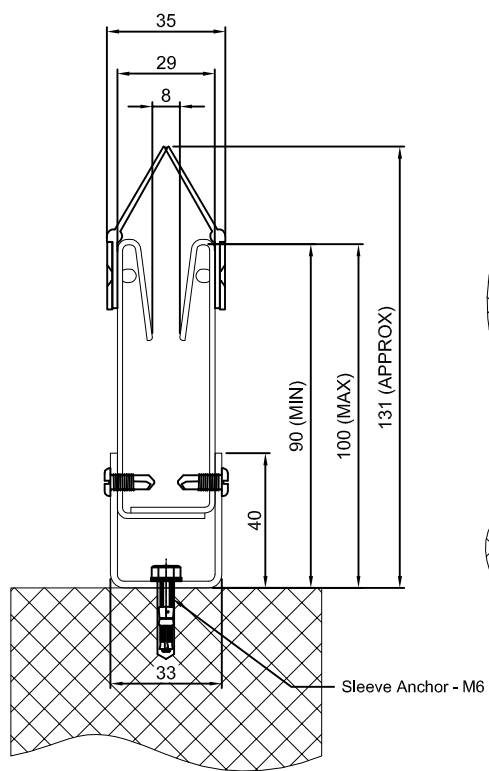
NOTE: EndPlate Removed for Clarity

SIDE GUIDE DETAILS

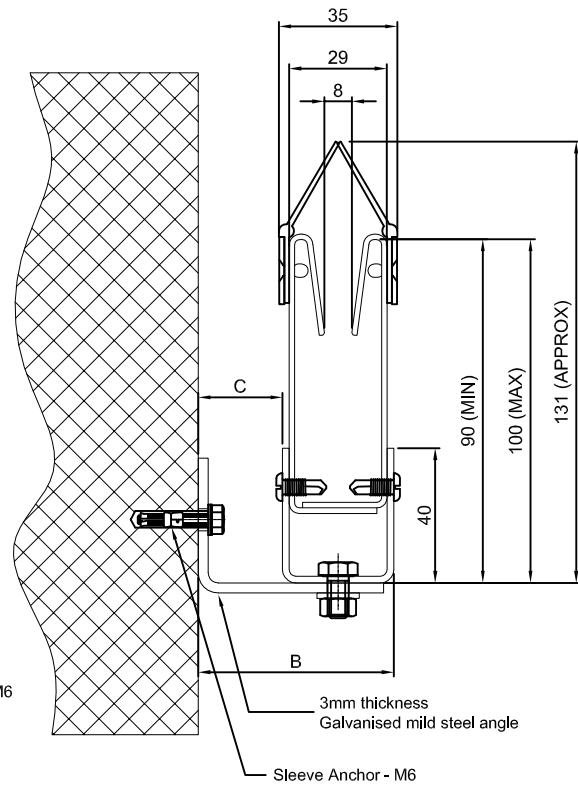


Side Guide with
Smoke Seal Strip

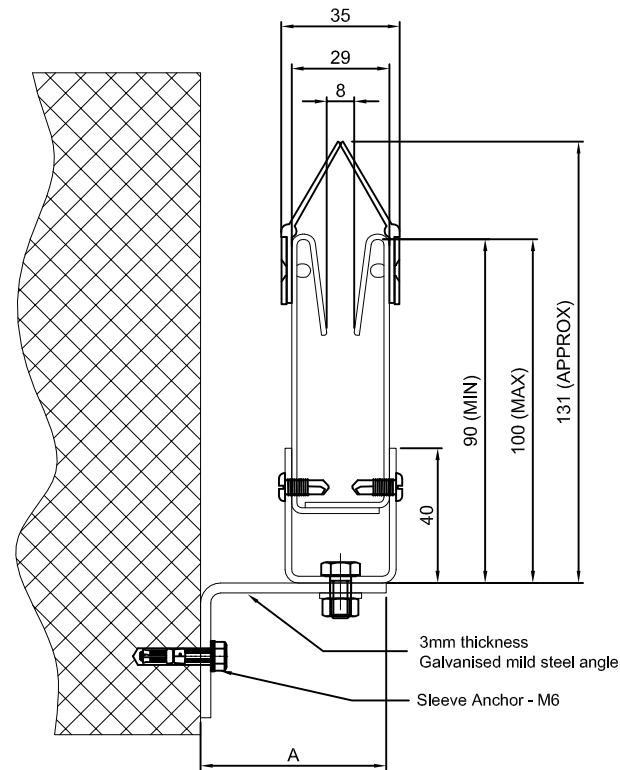
Side Guide with Smoke
Seal Strip & Trim



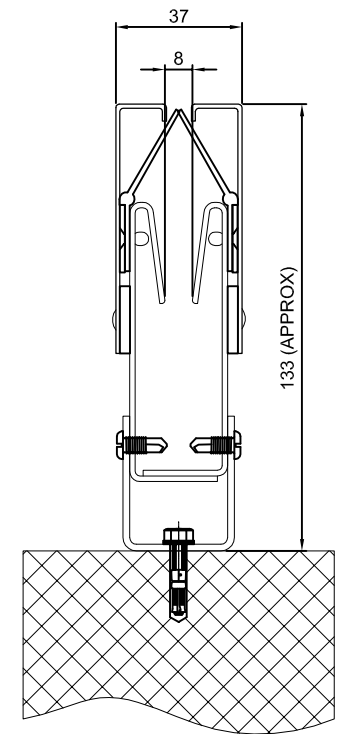
SIDE GUIDE DETAILS



REVERSE MOUNTED SIDE GUIDE DETAILS
(OPTION 1)



REVERSE MOUNTED SIDE GUIDE DETAILS
(OPTION 2)



OPTIONAL FINISHES
WITH FINISH TRIM CLADDING

FIREMASTER® SIDE GUIDE WITH SMOKE SEAL FIXING CONFIGURATION



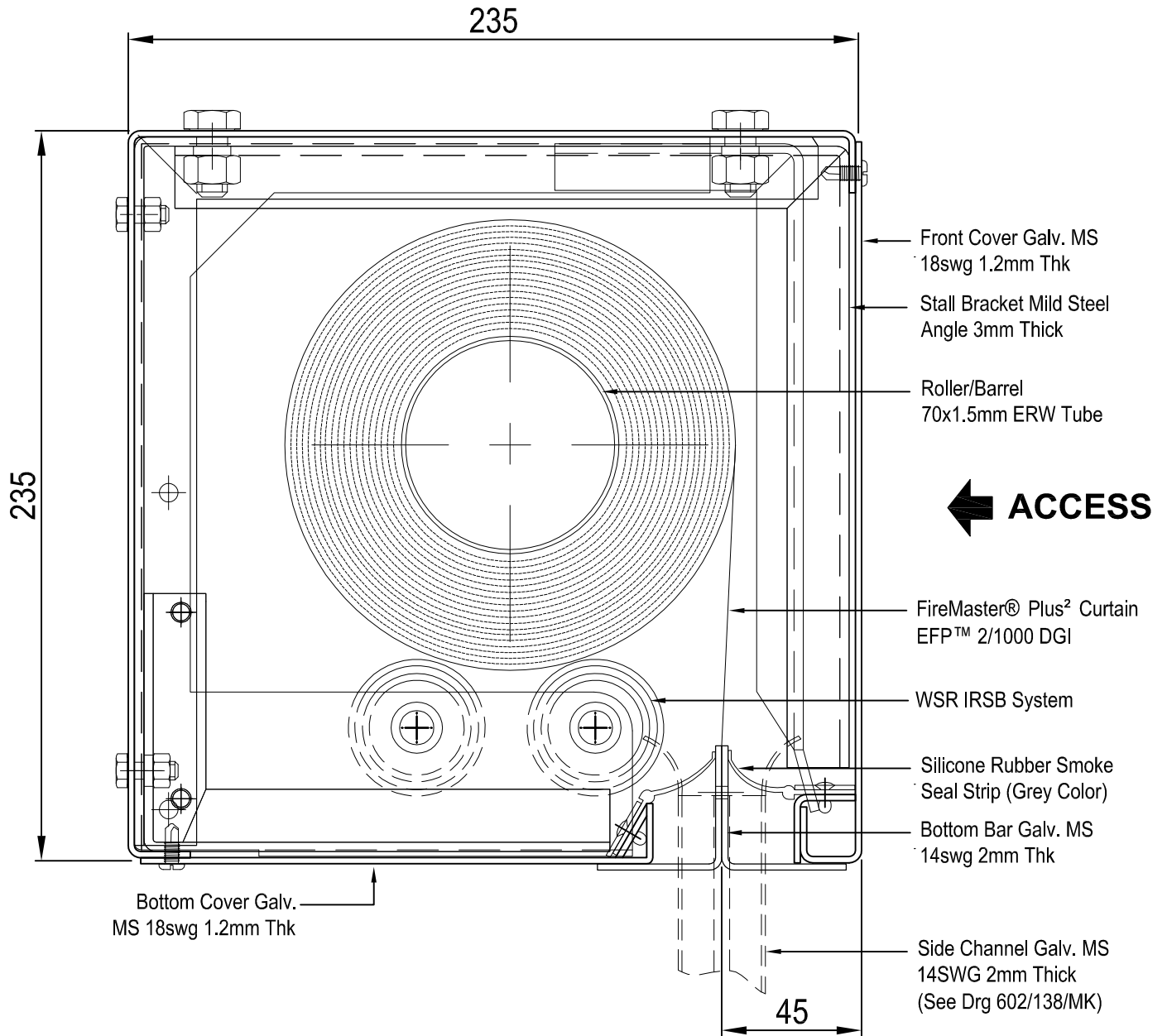
Edward House, Penner Road,
Havant, Hampshire, PO9 1QZ, UK

Tel: +44 (0) 23 9245 4405
Fax: +44 (0) 23 9249 2732

Email: info@coopersfire.com
Web: www.coopersfire.com

DRAWN:	TITLE:	
ML	FIREMASTER® Plus ² SIDE GUIDE WITH SMOKE SEAL FIXING CONFIGURATION	
CHECKED:	© 1997 A COOPER GROUP LIMITED ALL RIGHTS RESERVED. THIS DESIGN MAY NOT BE REPRODUCED IN ANY MATERIAL FORM, INCLUDING ELECTRONICALLY WITHOUT THE WRITTEN PERMISSION OF THE COPYRIGHT NAMES	ALL DIMENSION IN MILLIMETERS UNLESS OTHERWISE STATED
JR	DRG. No.	ISSUE: C
APPROVED:	600/609/MK	DATE: 24.02.2014
JR		

FIXING ANGLE DIMENSION			
HEADBOX	'A'	'B'	'C'
FM18/22	55MM	58MM	25MM
FMP23/23	N/A	N/A	N/A
FMP25/30	N/A	N/A	N/A

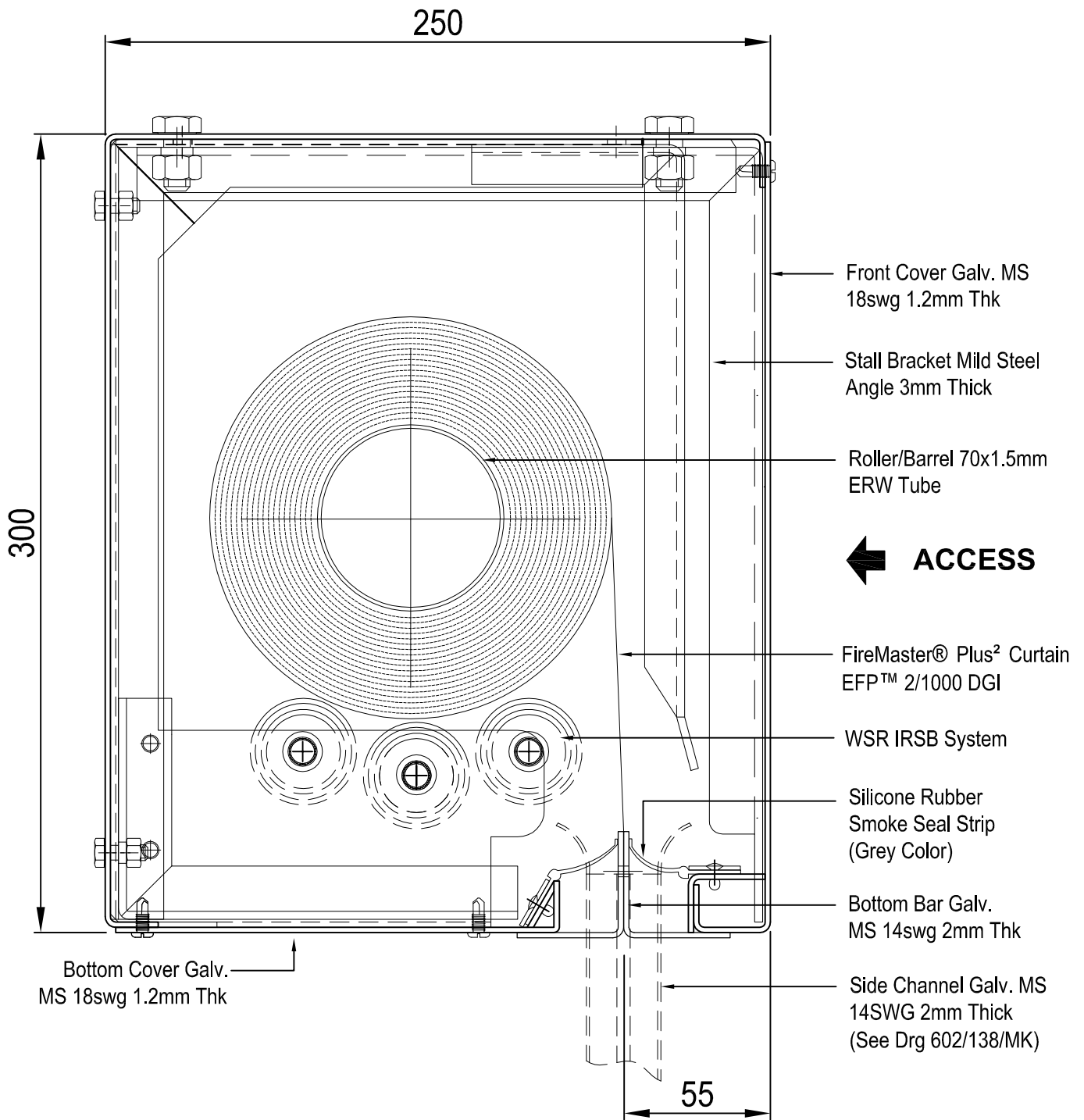


FABRIC TYPE	WIDTH		DROP		SEAM
	MIN	MAX	MIN	MAX	
EFP™ 2/1000 DGI	1M	10M	1M	4M	Horizontal



Edward House, Penner Road,
Havant, Hampshire, PO9 1QZ, UK
Tel: +44 (0) 23 9245 4405
Fax: +44 (0) 23 9249 2732
Email: info@coopersfire.com
Web: www.coopersfire.com

DRAWN: ML	TITLE: WIDE SINGLE ROLLER - FRONT ACCESS HEADBOX CONFIGURATION WITH S.SEAL
CHECKED: JR	© 1997 A COOPER GROUP LIMITED ALL RIGHTS RESERVED. THIS DESIGN MAY NOT BE REPRODUCED IN ANY MATERIAL FORM, INCLUDING ELECTRONICALLY WITHOUT THE WRITTEN PERMISSION OF THE COPYRIGHT NAMES
APPROVED: CJL	DRG. No. 602/133/MK
	ALL DIMENSION IN MILLIMETERS UNLESS OTHERWISE STATED
	ISSUE: D
	DATE: 24.02.2014



FABRIC TYPE	WIDTH		DROP		SEAM
	MIN	MAX	MIN	MAX	
EFP™ 2/1000 DGI	1M	17M	1M	4M	Vertical
EFP™ 2/1000 DGI	11M	15M	1M	4M	Horizontal
EFP™ 2/1000 DGI	1M	11M	1M	6M	Horizontal