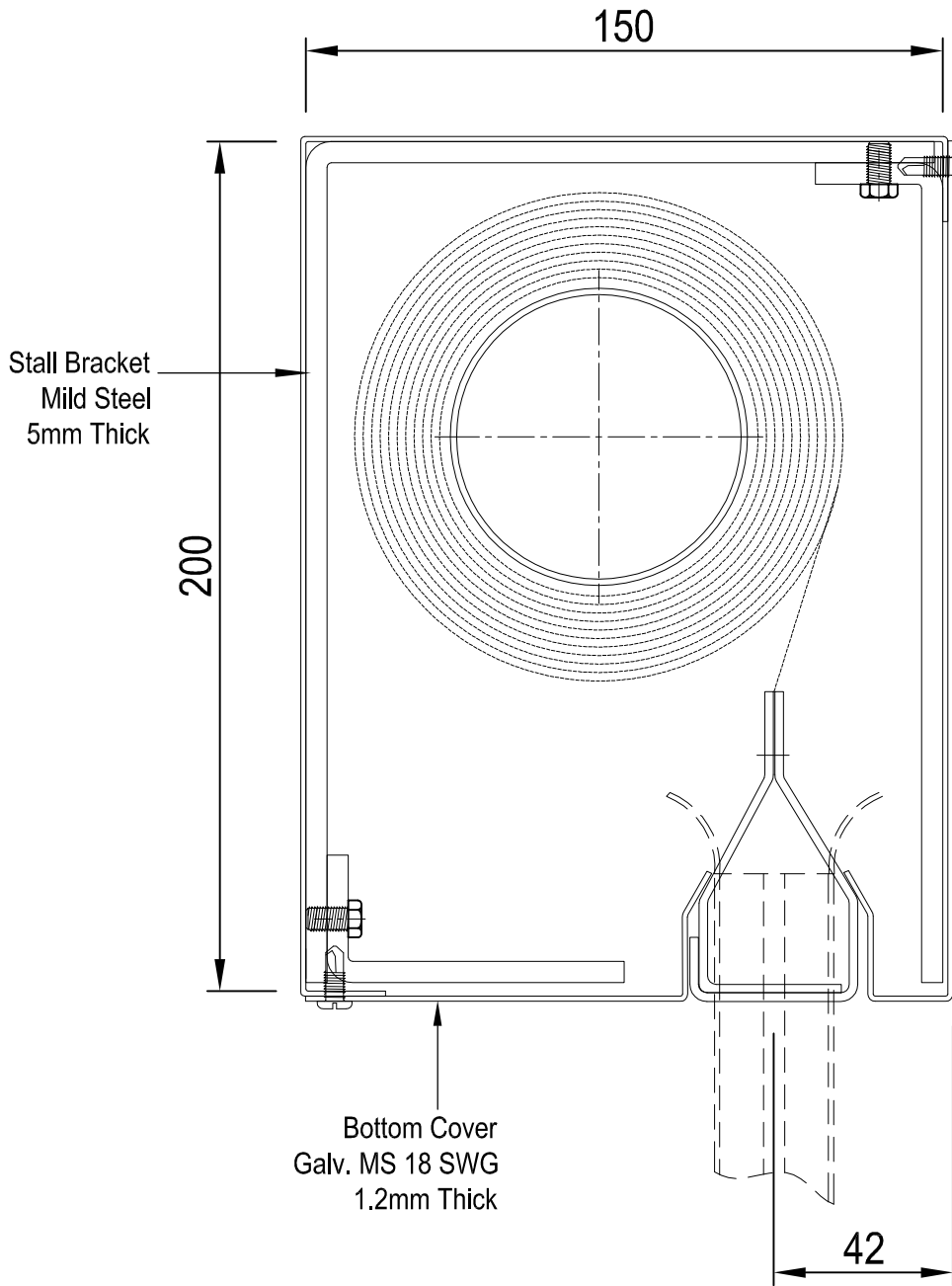
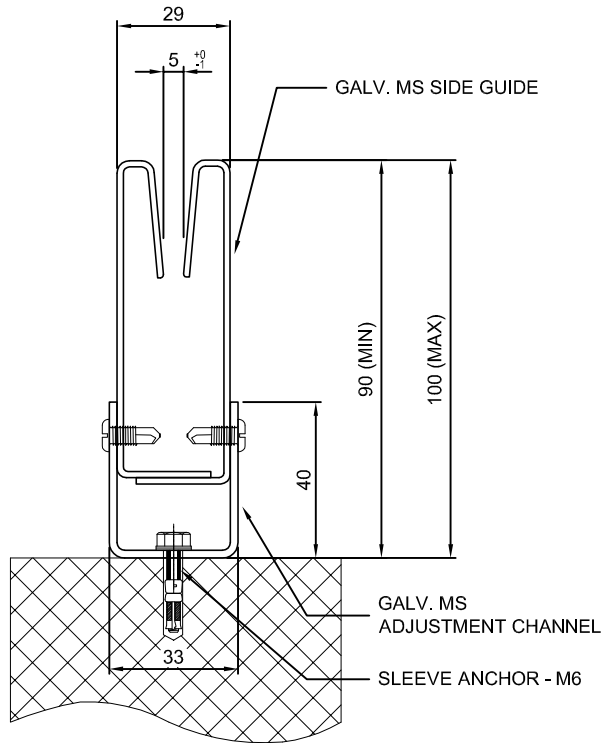


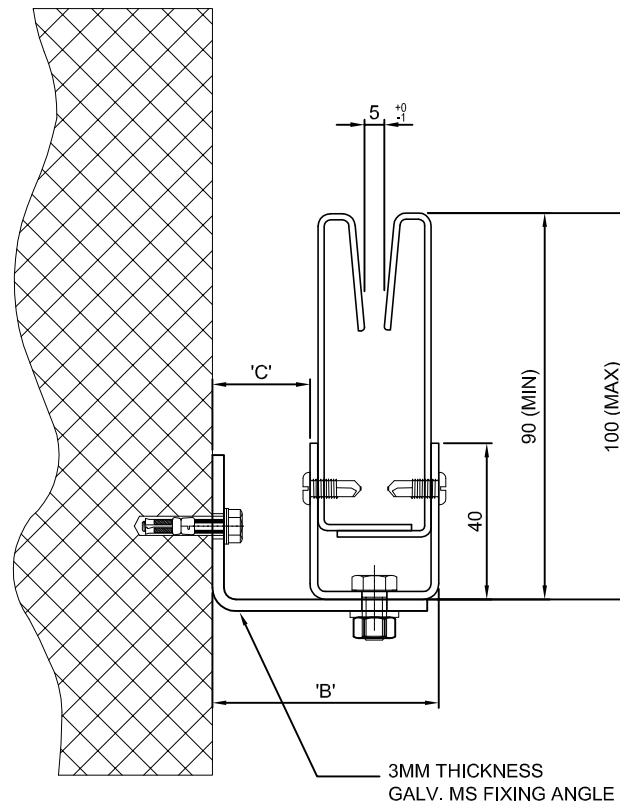
FM 15/20



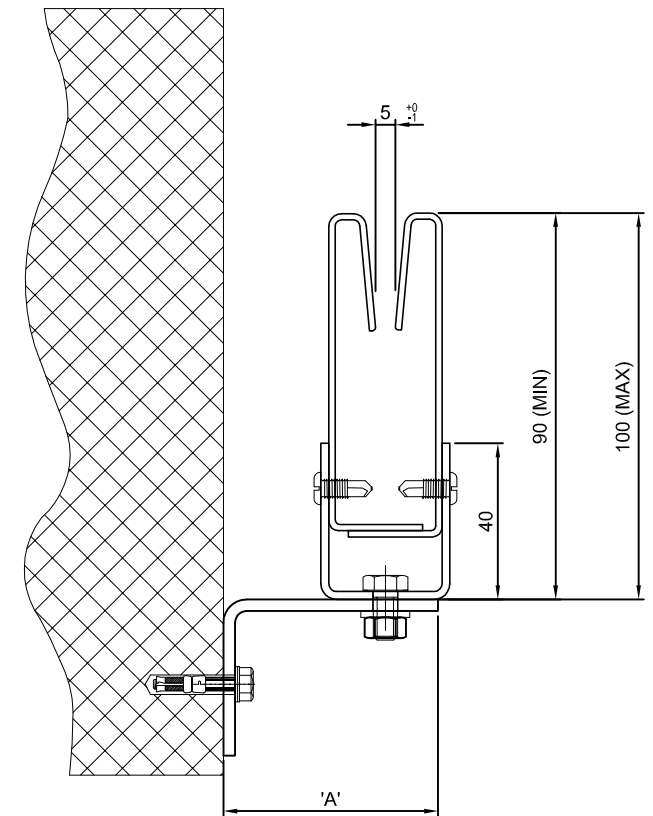
Maximum width - 5 metres
Maximum drop - 4 metres



SIDE MOUNTED
SIDE GUIDE DETAILS



REVERSE MOUNTED
SIDE GUIDE DETAILS (OPTION 1)



REVERSE MOUNTED
SIDE GUIDE DETAILS (OPTION 2)

FIXING ANGLE DIMENSION

HEADBOX	'A'	'B'	'C'
FM15/20	55MM	58MM	25MM
FM18/22	55MM	58MM	25MM
FM18/26	55MM	58MM	25MM
FM18/34	55MM	58MM	25MM
FM20/40	59MM	62MM	29MM



Edward House, Fenner Road,
Havant, Hampshire, PO9 1QZ, UK

Tel: +44 (0) 23 9245 4405
Fax: +44 (0) 23 9249 2732

Email: info@coopersfire.com
Web: www.coopersfire.com

DRAWN: ML	TITLE: FIREMASTER® SIDE GUIDE FIXING CONFIGURATION
CHECKED: JR	© 1997 A COOPER GROUP LIMITED ALL RIGHTS RESERVED. THIS DESIGN MAY NOT BE REPRODUCED IN ANY MATERIAL FORM, INCLUDING ELECTRONICALLY, WITHOUT THE WRITTEN PERMISSION OF THE COPYRIGHT NAMES
APPROVED: CJL	DRG. No. 600/133/MK
	ISSUE: F DATE: 24.02.2014

ALL DIMENSION IN MILLIMETERS
UNLESS OTHERWISE STATED