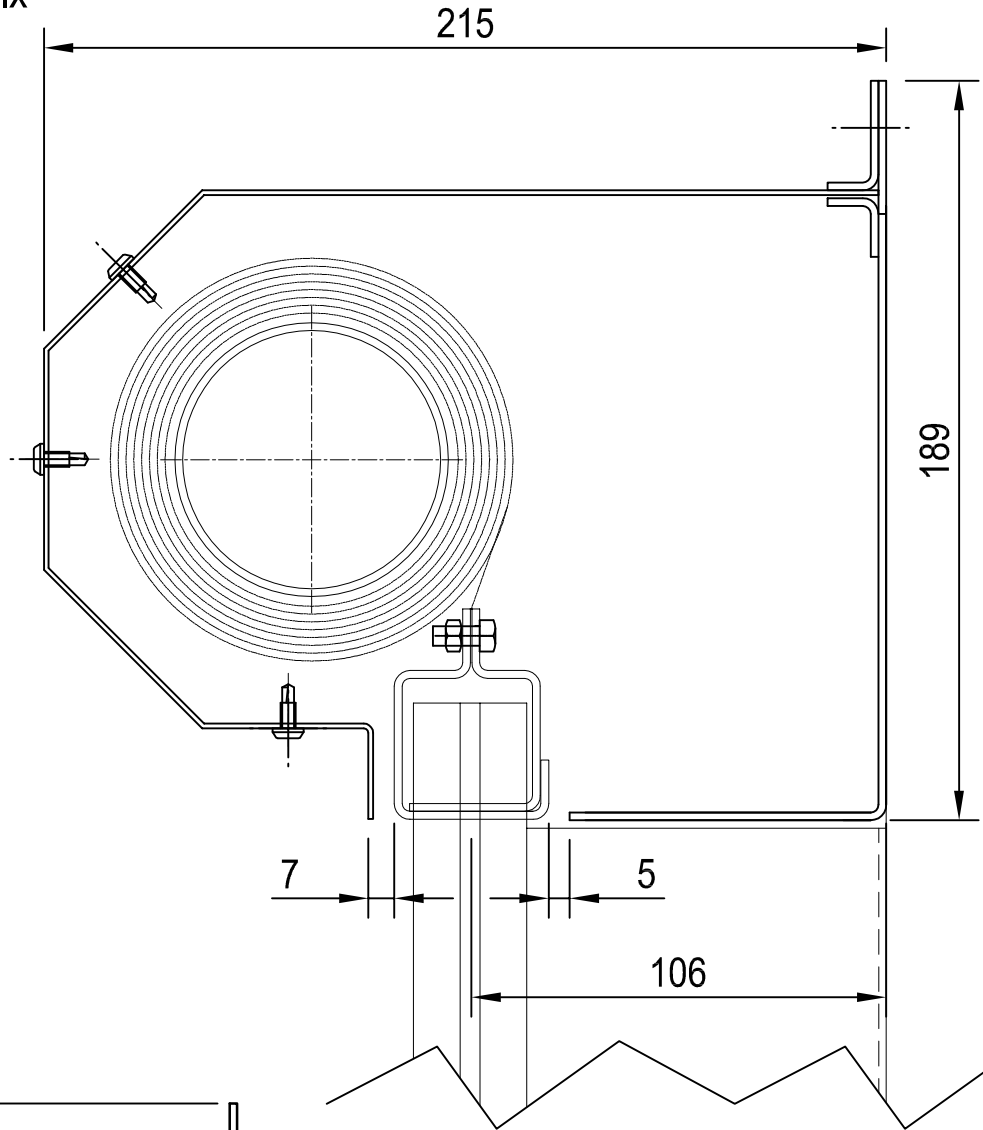
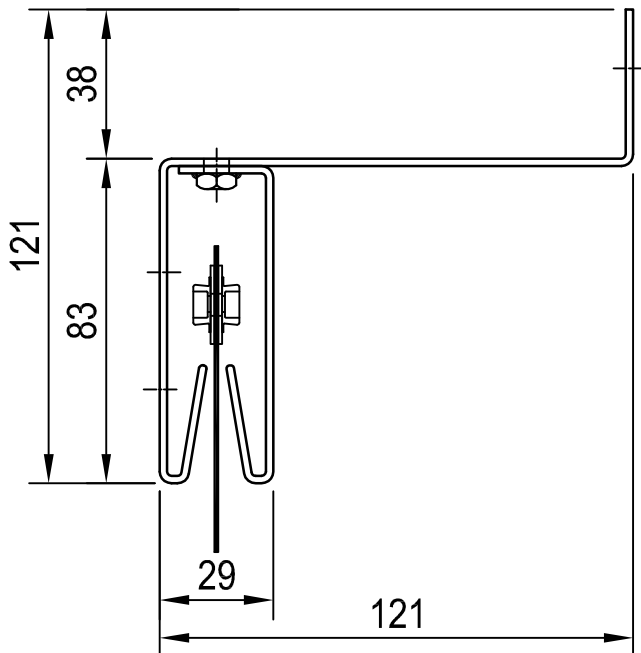


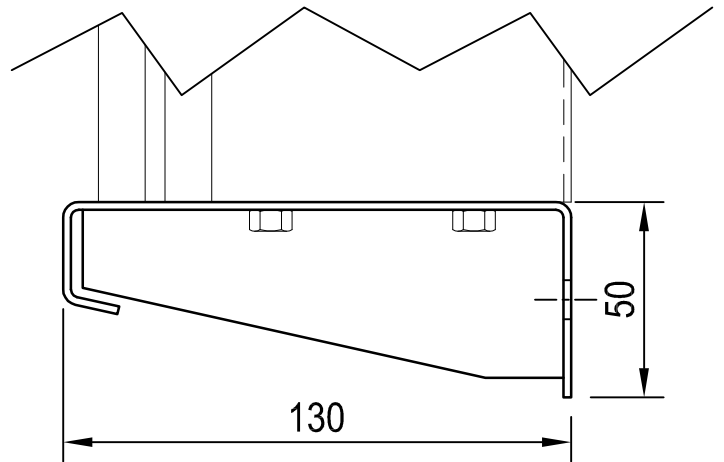
# Headbox Details - Face Fix



# Side Guide Details



Maximum width - 3 metres  
Maximum drop - 3 metres



PO BOX 688,  
CARINGBAH, NSW 1495

Tel: (02) 9526 5190  
Fax: (02) 9526 5876

Email: [cge@coopersfire.com.au](mailto:cge@coopersfire.com.au)  
Web: [www.coopersfire.com.au](http://www.coopersfire.com.au)

DRAWN:

AS

TITLE:

VII@FIRE CABIN FACE FIX  
HEADBOX AND SIDE GUIDE DETAILS

CHECKED:

CGE

© 1997 A COOPER GROUP LIMITED  
ALL RIGHTS RESERVED. THIS DESIGN MAY NOT BE  
REPRODUCED IN ANY MATERIAL FORM, INCLUDING  
ELECTRONICALLY WITHOUT THE WRITTEN PERMISSION  
OF THE COPYRIGHT NAMES

ALL DIMENSION IN MILLIMETERS  
UNLESS OTHERWISE STATED

APPROVED:

CGE

DRG. No.

601/321/MK

ISSUE:

A

DATE:

16.07.2014