

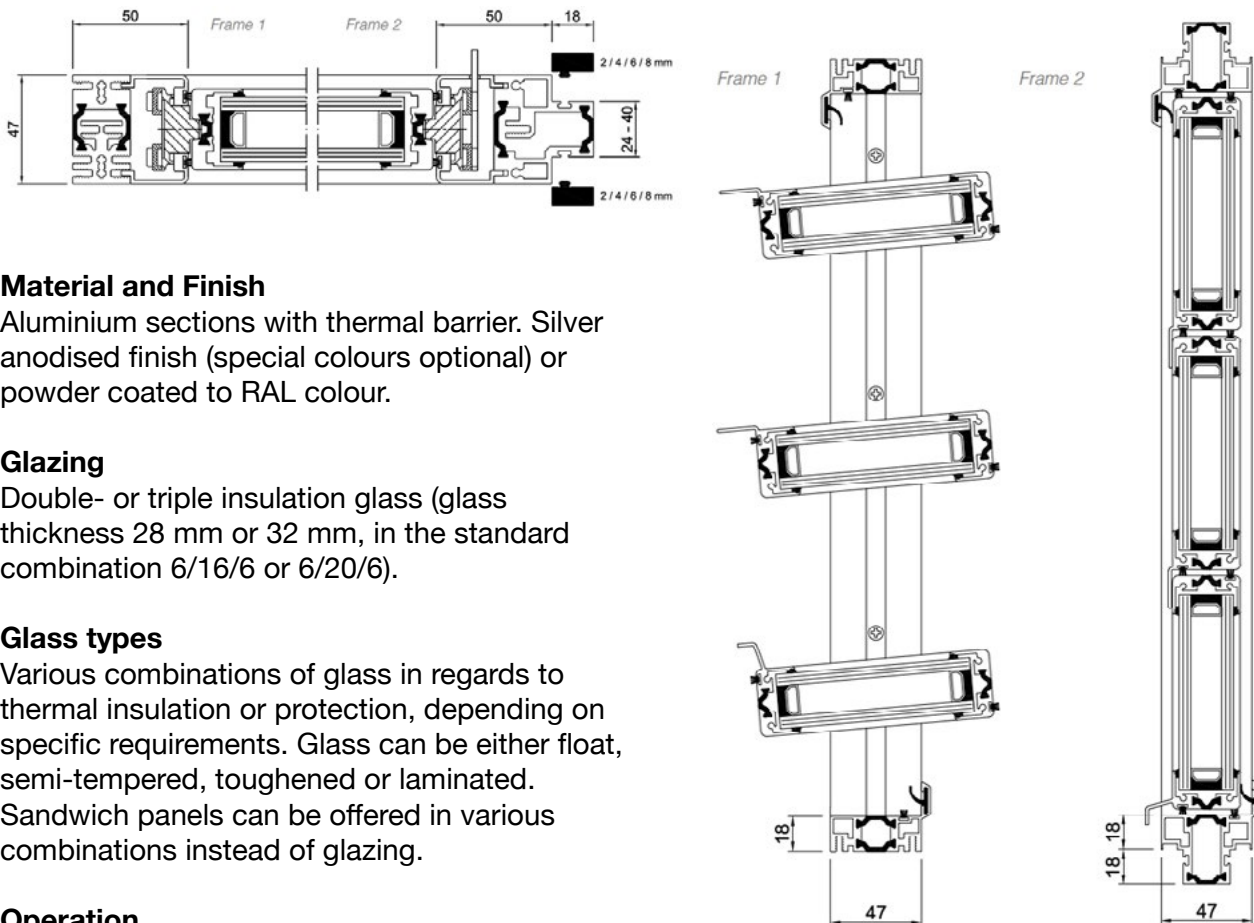
HAHN S9-iVt-05

Width	Min. 250mm / Max. 2000mm
Height	Min. 200mm / Max. unlimited
Frame	Frame 1: For brickwork, timber and metal Frame 2: For curtain wall
Blade height	Min. 150mm / Max. 350mm
Opening angle	84°

HAHN S9-iVt-05

The HAHN S9-iVt-05 double glazed louvre window is preferred by many of our clients due to its outstanding performance in regard to ventilation, weather tightness and thermal protection, as well as a high degree of security (security certified). The glass louvres are framed all around with aluminium profiles.

The S9-iVt-05 is officially certified for “natural smoke and heat extraction” (EN 12101-2). Certified ball protection for sports facilities (DIN 18032-3).



Material and Finish

Aluminium sections with thermal barrier. Silver anodised finish (special colours optional) or powder coated to RAL colour.

Glazing

Double- or triple insulation glass (glass thickness 28 mm or 32 mm, in the standard combination 6/16/6 or 6/20/6).

Glass types

Various combinations of glass in regards to thermal insulation or protection, depending on specific requirements. Glass can be either float, semi-tempered, toughened or laminated. Sandwich panels can be offered in various combinations instead of glazing.

Operation

Manual operation by hand lever, crank handle or hand wheel

Electric operation by 24vDC or 240vAC motor.

Pneumatic

24vDC electric motor operator is required for NSHEV model compliant to EN12101-2

Benefits

- High performance U value due to the thermally broken frame
- Large louvre heights allowing more glass as a percentage of the window size
- Wide window widths available
- Tested and certifiable natural smoke ventilator

Aerodynamic performance	0.56
Air permeability (EN 12207)	Class 3
Watertightness (EN 12208)	Class 4A
Wind load (EN12210)	Certified
U Value (EN ISO 10077)	1.4 W/m ² K



HAHN Lamellen