

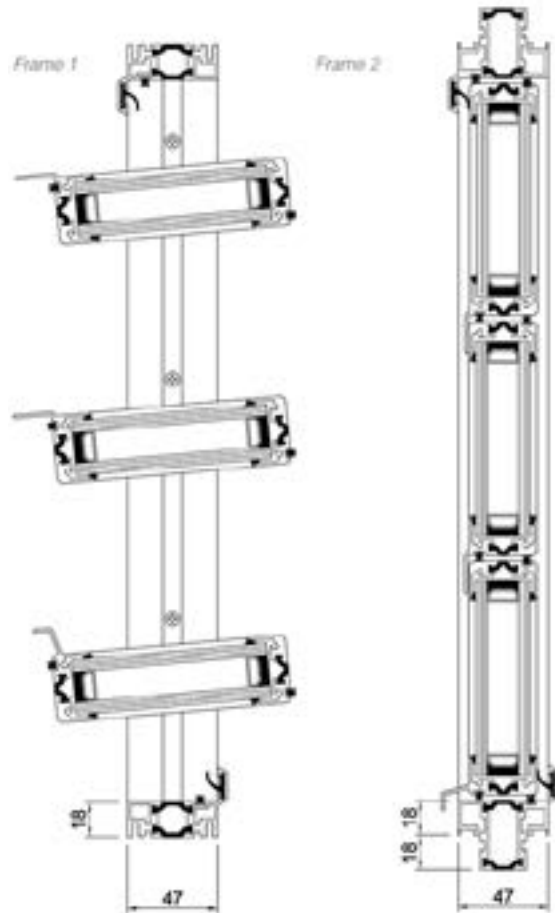
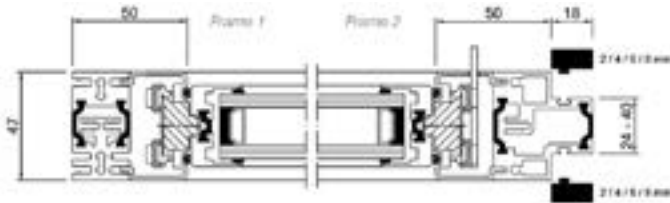
HAHN S9-iVt-05 Allglass

Type	Double Glazed Thermally Broken Louvre Window
Width	Min. 250mm / Max. 1600mm
Height	Min. 250mm / Max. unlimited
Frame	Frame 1: For curtain wall, glass with 4 or 6mm glass outside combined Frame 2: For curtain wall, glass with 4mm glass outside combined (optional without adapter profile)
Blade height	Min. 150mm / Max. 350mm
Opening angle	84°

HAHN S9-iVt-05 Allglass

The HAHN-Louvre Window model S9-iVt-05 Allglass combines the outstanding features of the S9-iVt-05 in regard to ventilation, weather tightness and thermal protection with a flush plane allglass appearance, without any horizontal framing of the louvres on the outside.

The S9-iVt-05 Allglass is officially certified for natural smoke and heat extraction (EN 12101-2). Certified ball protection for sports facilities (DIN 18032-3)



Material and Finish

Aluminium sections with thermal barrier. Natural anodised finish 20um (special colours optional) or powder coated to RAL colour.

Glazing

Double or triple insulating glass (glass thickness 32mm or 34mm, in the standard combinations 4/22/6 or 6/20/8).

Glass types

Various combinations of glass in regards to thermal insulation, protection and colour depending on specific requirements. Glass can be either float, semi-tempered, toughened or laminated.

Sandwich panels can be offered in various combinations instead of glazing for better insulation.

Operation

Manual operation by hand lever, crank handle or hand wheel

Electric operation by 24vDC or 240vAC motor
Pneumatic

24vDC electric motor operator is required for NSHEV model compliant to EN12101-2

Benefits

- All glass view from external
- High performance U value due to the thermally broken frame
- Large louvre heights allowing more glass as a percentage of the window size
- Wide window widths available
- Tested and certifiable natural smoke ventilator

Aerodynamic performance	0.54
Air permeability (EN 12207)	Class 3
Watertightness (EN 12208)	Class 4A
Wind load (EN12210)	Certified
U Value (EN ISO 10077)	1.3 W/m ² K



HAHN Lamellen